



INSTRUCTIONS

-J04050

REV. 2007-07-30

REAR SLOTTED SIX-SPOKE WHEELS

GENERAL

Kit Number

40825-08, 40827-08, 43928-08, 43929-08, 43930-08, 43931-08, 43934-07, 43942-07, and 43972-08

Models

For model fitment information, please see the P&A Retail Catalog or the Parts and Accessories section of www.harley-davidson.com (English only).

Additional Parts Required

These kits include the custom wheel only.

Proper installation of these kits require the separate purchase of the following parts which are available at a Harley-Davidson dealer.

- Wheel Bearing Remover and Installer (HD-44060)
- Wheel Installation Kit (See tables for part number)

Recommended Parts

The following Harley-Davidson Genuine Motor Accessories are recommended for proper maintenance and cleaning:

- Harley® Bright™ Chrome Cleaner (94683-99)
- Harley® Glaze™ Polish and Sealant (99701-84)
- Harley® Wheel and Spoke Brush (43078-99)
- Harley-Davidson® Wheel and Tire Cleaner (94658-98)

WARNING

The rider's safety depends upon the correct installation of this kit. Use the appropriate service manual procedures. If the procedure is not within your capabilities or you do not have the correct tools, have a Harley-Davidson dealer perform the installation. Improper installation of this kit could result in death or serious injury. (00333a)

NOTE

This instruction sheet references Service Manual information. A Service Manual for your model motorcycle is required for this installation and is available from a Harley-Davidson dealer.

Kit Contents

See Figure 1 and Service Parts Tables.

INSTALLATION

1. Remove existing rear wheel assembly. Save axle, axle nut, brake disc, and wheel spacers for kit installation. Refer to REAR WHEEL in Service Manual.

NOTES

Prior to removing or installing the wheel, the rear brake caliper must be removed.

The cotter pin or spring clip for the axle nut must be replaced. They are available for purchase from your dealer. See your dealer for the correct part number for your model motorcycle.

CAUTION

Do not re-use brake disc screws. Re-using disc screws can result in torque loss and damage to rotor and/or brake assembly. (00319b)

CAUTION

Do not re-use sprocket mounting screws. Re-using sprocket mounting screws can result in torque loss and damage to the sprocket and/or belt assembly. (00480b)

2. See Figure 1. Install valve stem assembly (E) on wheel. Refer to TIRES in Service Manual.
3. Assemble wheel installation kit components, stock brake disc, and sprocket to wheel using the appropriate service parts table. Refer to REAR WHEEL in Service Manual.

NOTES

The valve stem side of the wheel and machined grooves in the hub face indicate the primary bearing side. Install the primary bearing first using appropriate Service Manual and WHEEL BEARING REMOVER/INSTALLER.

4. Install rear wheel (1), stock axle, and stock spacers to motorcycle. Refer to REAR WHEEL in Service Manual.

MAINTENANCE AND CLEANING

Chrome parts must be maintained regularly to ensure that they keep their original shine and luster.

1. Clean heavily-soiled wheel surfaces using Harley-Davidson Wheel and Tire Cleaner, applied with Harley Wheel and Spoke Brush.
2. Thoroughly clean chrome with a good quality chrome cleaner, such as Harley Bright Chrome Cleaner.
3. After cleaning and polishing, seal the finish with a good quality sealer, such as Harley Glaze Polish and Sealant.

SERVICE PARTS

is04762

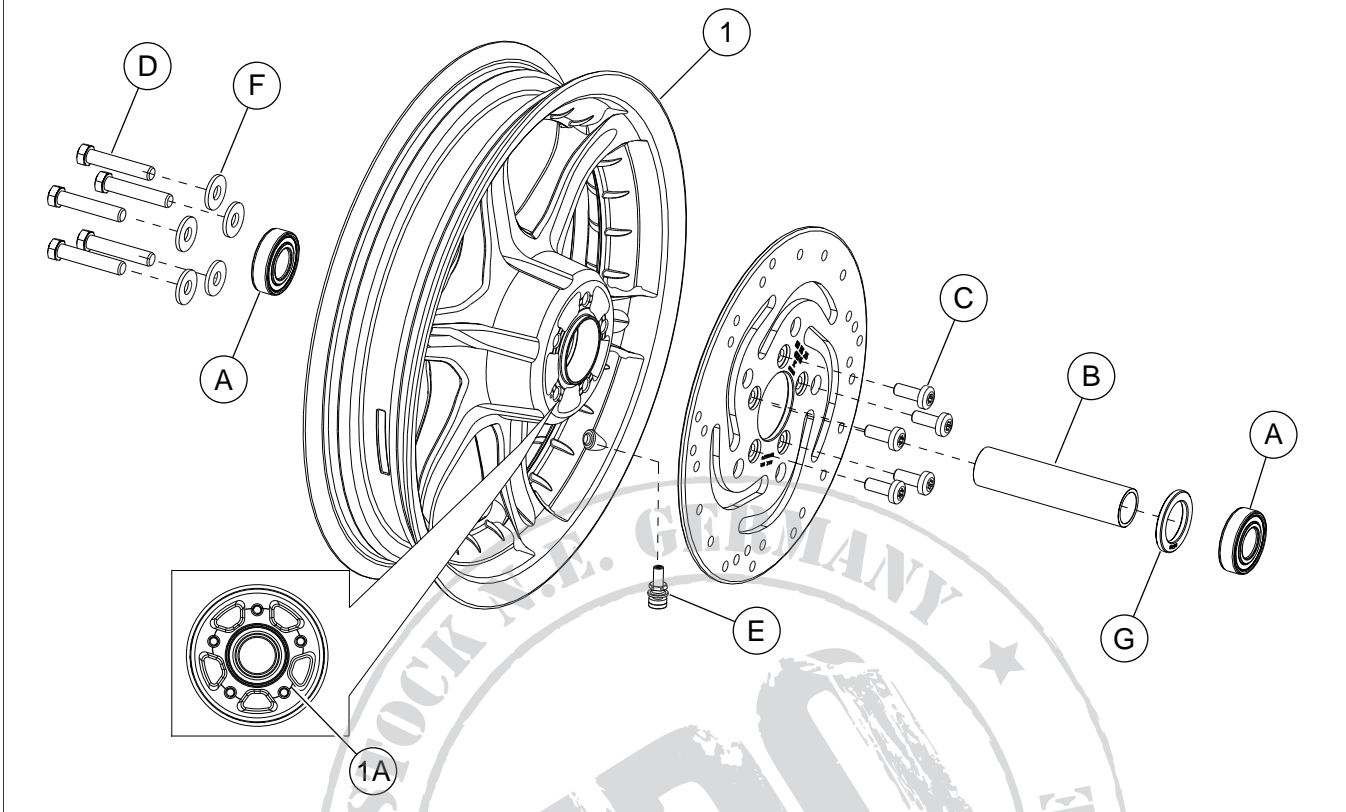


Figure 1. Service Parts: Rear Slotted Six-Spoke Wheels (16-inch Shown)

Table 1. Service Parts Table

Kit	Installation Kit	Item	Description (Quantity)	Part Number
43930-08 43931-08		1	Wheel	Not Sold Separately
		1A	Machined groove	Not Sold Separately
2003-2007 FLST, FLSTN and FLSTC, 2003-2006 FLSTF (except FLSTFSE2) 2003-2005 FXST, FXSTB and FXSTS	43854-08 16x3 inch rear wheel.	A	Bearing (2)	9267
		B	Sleeve, bearing spacer	43608-00
		C	Disc screw (5)	43567-92
		D	Sprocket screw (5) (2006 and earlier models)	3737A
			Sprocket screw (5) (2007 models)	3109
		E	Valve stem assembly (long)	43206-01
		F	Washer (5) (2006 and earlier models)	6516HW
		NOTE: Discard the following components which are provided with this installation kit, but are not required for this fitment.		
			Sleeve, bearing spacer	43618-06
			Sleeve, bearing spacer	43618-07
			Sprocket screw (5)	3899
			Valve stem assembly (short)	43157-83A

Table 2. Service Parts Table

Kit	Installation Kit	Item	Description (Quantity)	Part Number		
43928-08 43929-08		1	Wheel	Not Sold Separately		
		1A	Machined groove	Not Sold Separately		
2000-2005 Dyna, 2000-2004 XL 2000-2002 Softail (except FXSTD) 2000-2001 FLT	43854-08 16x3 inch rear wheel	A	Bearing (2)	9267		
		B	Sleeve, bearing spacer	43608-00		
		C	Disc screw (5)	43567-92		
		D	Sprocket screw (5) (Dyna and Softail models)	3737A		
			Sprocket screw (5) (XL and FLT models)	3899		
		E	Valve stem assembly (long)	43206-01		
		F	Washer (5)	6516HW		
		NOTE: Discard the following components which are provided with this installation kit, but are not required for this fitment.				
		Sleeve, bearing spacer			43618-06	
		Sleeve, bearing spacer			43618-07	
		Sprocket screw (5)			3109	
		Valve stem assembly (short)			43157-83A	
		2002-2007 Touring 2005-2007 XL	43861-08 16x3 inch rear wheel	A	Bearing (2)	9247
				B	Sleeve, bearing spacer	43517-00
C	Disc screw (5)			43567-92		
D	Sprocket screw (5) (2004-2006 FLT models)			3737A		
	Sprocket screw (5) (2007 FLT models)			3109		
	Sprocket screw (5) (XL and 2002-2003 FLT models)			3899		
E	Valve stem assembly (long)			43206-01		
F	Washer (5) (XL and 2006 and earlier FLT models)			6516HW		
NOTE: Discard the following components which are provided with this installation kit, but are not required for this fitment.						
Sleeve, bearing spacer				43704-01		
Sprocket bolt (5)				3873		
Sprocket bolt (5)				40439-01		
Sprocket washer (5)				7039		
TORX® bolt (5)				4552		
Valve stem assembly (short)			43157-83A			

Table 2. Service Parts Table

Kit	Installation Kit	Item	Description (Quantity)	Part Number		
2008 and later FLT without ABS 2008 and later XL	43878-08 16x3 inch rear wheel	A	Bearing (2)	9276		
		B	Sleeve, bearing spacer	41900-08		
		C	Disc screw (5)	43567-92		
		D	Sprocket screw (5) (2008 and later XL)	3899		
			Sprocket screw (5) (2008 and later FLT)	3814		
		E	Valve stem assembly (long)	43206-01		
		G	Shim, bearing (install under primary bearing)	43904-08		
		NOTE: Discard the following components which are provided with this installation kit, but are not required for this fitment.				
		Sleeve, bearing spacer			41696-08	
		Sprocket screw (5)			3109	
		Valve stem assembly (short)			43157-83A	
		2008 and later FLT with ABS	41453-08 16x3 inch rear wheel	A	Bearing	9276
				B	Sleeve, bearing spacer	41900-08
C	Disc screw (5)			43567-92		
D	Sprocket screw (5)			3814		
E	Valve stem assembly (long)			43206-01		
G	Shim, bearing (install under primary bearing)			43904-08		
H	Bearing, ABS (red side must face inward)			9252		
NOTE: Discard the following components which are provided with this installation kit, but are not required for this fitment.						
Shim, bearing				41447-08		
Sleeve, bearing spacer				43704-08		
Sprocket screw				4552		
Sprocket washer				7039		
Valve stem assembly (short)				43157-83A		

Table 3. Service Parts Table

Kit	Installation Kit	Item	Description (Quantity)	Part Number
40825-08 40827-08		1	Wheel	Not Sold Separately
		1A	Machined groove	Not Sold Separately

Table 3. Service Parts Table

Kit	Installation Kit	Item	Description (Quantity)	Part Number	
2008 and later FLSTN and FLSTC	43878-08 16x3 inch rear wheel	A	Bearing (2)	9276	
		B	Sleeve, bearing spacer	41696-08	
		C	Disc screw (5)	43567-92	
		D	Sprocket screw (5)	3109	
		E	Valve stem assembly (long)	43206-01	
		NOTE: Discard the following components which are provided with this installation kit, but are not required for this fitment.			
			Shim, bearing	43904-08	
			Sleeve, bearing spacer	41900-08	
			Sprocket screw (5)	3814	
			Sprocket screw (5)	3899	
			Valve stem assembly (short)	43157-83A	
			Washer (5)	6516HW	

Table 4. Service Parts Table

Kit	Installation Kit	Item	Description (Quantity)	Part Number	
43934-07 43942-07 43972-08		1	Wheel	Not Sold Separately	
		1A	Machined groove	Not Sold Separately	
2000-2007 FXSTD	43854-08 17x4.5 inch rear wheel	A	Bearing (2)	9267	
		B	Sleeve, bearing spacer	43608-00	
		C	Disc screw (5)	43567-92	
		D	Sprocket screw (5) (2006 and earlier models)	3737A	
			Sprocket screw (5) (2007 models)	3109	
		E	Valve stem assembly (long)	43206-01	
		F	Washer (5) (2006 and earlier models)	6516HW	
		NOTE: Discard the following components which are provided with this installation kit, but are not required for this fitment.			
			Sleeve, bearing spacer	43618-06	
			Sleeve, bearing spacer	43618-07	
	Valve stem assembly (short)	43157-83A			

Table 4. Service Parts Table

Kit	Installation Kit	Item	Description (Quantity)	Part Number	
2006-2007 Dyna	43861-08 17x4.5 inch rear wheel	A	Bearing (2)	9247	
		B	Sleeve, bearing spacer	43517-00	
		C	Disc screw (5)	43567-92	
		D	Sprocket screw (5) (2006 models)	3873	
			Sprocket screw (5) (2007 models)	3109	
		E	Valve stem assembly (long)	43206-01	
		F	Washer (5) (2006 models)	6516HW	
		NOTE: Discard the following components which are provided with this installation kit, but are not required for this fitment.			
		Sleeve, bearing spacer			43704-01
		Sprocket bolt (5)			40439-01
		Sprocket screw (5)			3737A
		Sprocket screw (5)			3899
		Sprocket washer (5)			7039
		TORX bolt (5)			4552
		Valve stem assembly (short)			43157-83A
2008 and later Dyna (except FXDF)	41451-08 17x4.5 inch rear wheel	A	Bearing (2)	9276	
		B	Sleeve, bearing spacer	43905-08	
		C	Disc screw (5)	43567-92	
		D	Sprocket screw (5)	3109	
		E	Valve stem assembly (long)	43206-01	
		G	Shim, bearing (install under primary bearing)	43904-08	
		NOTE: Discard the following components which are provided with this installation kit, but are not required for this fitment.			
		Valve stem assembly (short)			43157-83A