



# INSTRUCTIONS

-J01780

REV. 9-08-03

Kit Numbers 43725-00, 43726-00 and 43759-00

## FRONT CALIPER COVER KIT

### General

#### NOTE

Will not fit models equipped with Braided Front Brake Line.

**Kit Part Number 43725-00** is a **right-side** caliper cover designed for installation on:

- 2000 and later Dyna® models
- 2000 through 2003 XL (Sportster®)

**Kit Part Number 43726-00** is a **left-side** caliper cover designed for installation on:

- 2000 and later Dyna® (except FXDWG) models
- 2000 through 2003 XL (Sportster®) models

**Kit Part Number 43759-00** is a **left-side** caliper cover designed for installation on:

- 2000 and later Dyna FXDWG models
- 2000 and later Softail® (except Springer and FXSTD) models.

See *Service Parts Page* for Kit contents.

### Installation

1. See Figure 1. Support caliper and remove upper and lower caliper mounting screws.
2. Loosely install outer cover to the slider using the hardware just removed.
3. Install split rubber grommet over brake line just above caliper banjo fitting. Do **NOT** remove brake line.
4. See Figure 2. Insert grommet into the semicircular cutout in the outer cover.
5. See Figure 2. Tighten lower caliper mounting screw to 28-38 ft-lbs.(37.9-51.5 Nm) then tighten upper mounting screw to 28-38 ft-lbs (37.9-51.5 Nm).

#### NOTE

It may be necessary to rotate the brake line for optimal positioning within the grommet. Refer to the applicable *Service Manual* for torque and bleeding procedures.

6. Install inner cover under the outer cover while simultaneously inserting grommet into the corresponding cutout.
7. See Figure 3. Install four screws with wave washers through the outer cover and into the inner cover.

#### WARNING

Whenever work has been performed on the brake system, always test it on dry, clean pavement at slow speeds before putting the vehicle into regular service. Failure to test brakes properly could result in death or serious injury.

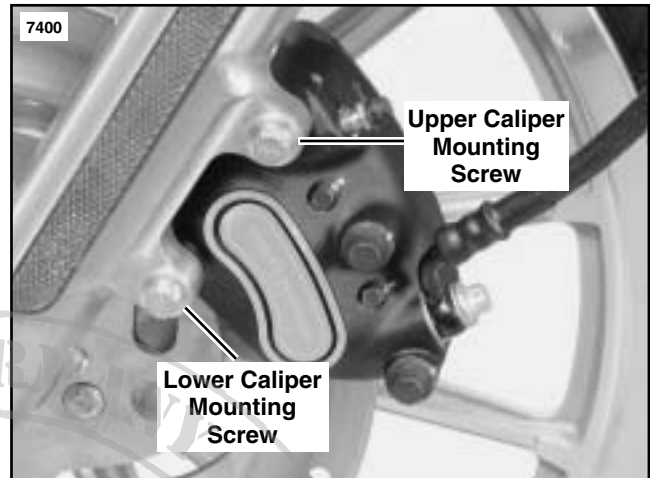


Figure 1. Remove Caliper Mounting Screws

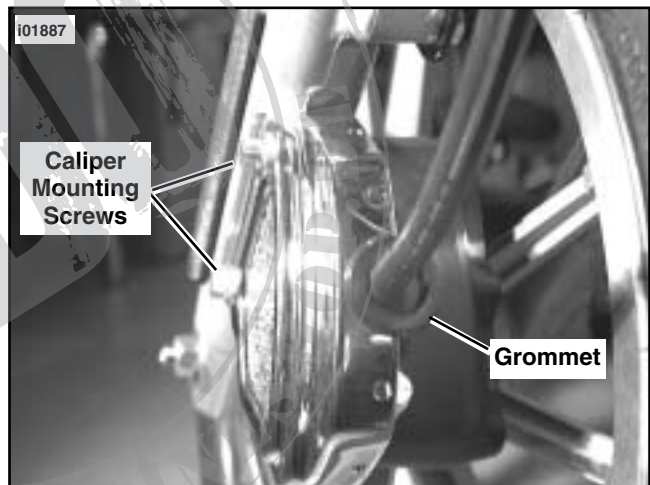


Figure 2. Tighten Caliper Mounting Screws and Install Grommet

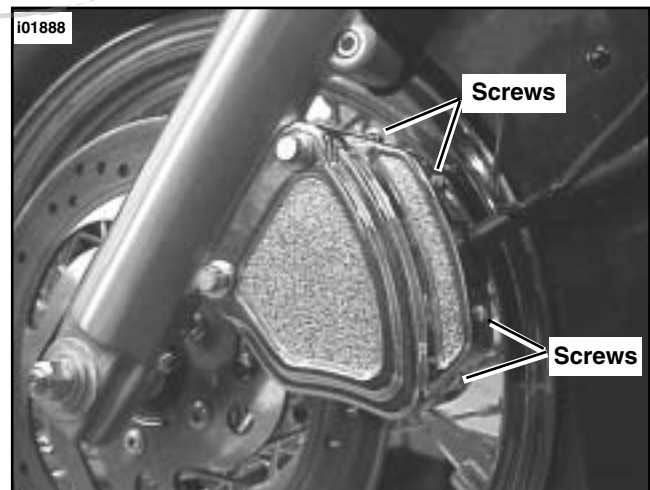


Figure 3. Install Caliper Cover Screws



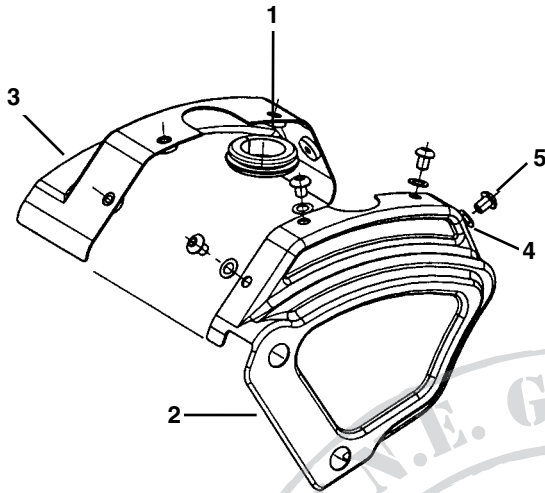
# Service Parts

Part No. 43725-00, 43726-00, 43759-00

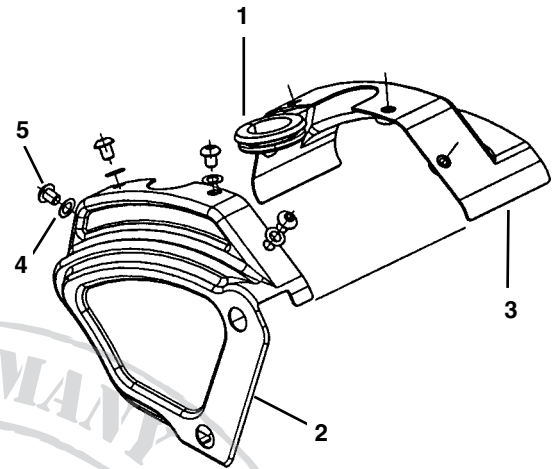
9/03

## Front Caliper Cover Kit

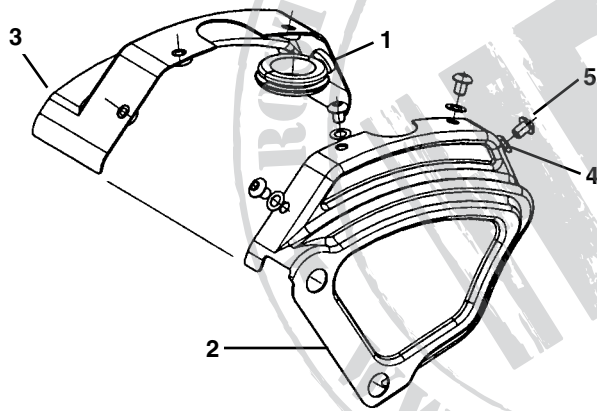
101889.tif



**Left Side Caliper Cover Kit (P/N 43726-00)**  
XL and Dyna Models (except FXDWG)  
**NOTE: Will not fit with Models equipped with Braided Brake Lines**



**Right Side Caliper Cover Kit (P/N 43725-00) XL and Dyna**  
**NOTE: Will not fit with Models equipped with Braided Brake Lines**



**Left Side Caliper Cover Kit (P/N 43759-00)**  
FXDWG and Softail Models (except Springer and FXSTD)  
**NOTE: Will not fit with Models equipped with Braided Brake Lines**

### Kit number-43726-00 (Left Side Caliper Cover Kit)

ITEM	DESCRIPTION	PART NUMBER
1	Grommet, split	11534
2	Cover, caliper outer (left side)	not sold
3	Cover, caliper inner (left side)	not sold
4	Wave washer, #10 (4)	not sold
5	Screw, 10-32 X 1/4" button-head (4)	not sold

### Kit number-43725-00 (Right Side Caliper Cover Kit)

ITEM	DESCRIPTION	PART NUMBER
1	Grommet, split	11534
2	Cover, caliper outer (right side)	not sold
3	Cover, caliper inner (right side)	not sold
4	Wave washer, #10 (4)	not sold
5	Screw, 10-32 X 1/4" button-head (4)	not sold

### Kit number-43759-00 (Left Side Caliper Cover Kit)

ITEM	DESCRIPTION	PART NUMBER
1	Grommet, split	11534
2	Cover, caliper outer (left side)	not sold
3	Cover, caliper inner (left side)	not sold
4	Wave washer, #10 (4)	not sold
5	Screw, 10-32 X 1/4" button-head (4)	not sold