



INSTRUCTIONS

-J01972

REV. 2006-04-10

REAR CALIPER COVER KIT

GENERAL

Kit Number

43552-00, 43553-00

Models

Kit 43552-00 fits 2000-2003 XL model motorcycles.

Kit 43553-00 fits 2000 and later Softail® (except 2006 and later FXST, FXSTB, FXSTS, and FLSTFSE2) and 2000 to 2005 Dyna® model motorcycles. This kit will not fit with braided brake lines.

Kit Contents

See Figure 2 and Table 1.

INSTALLATION

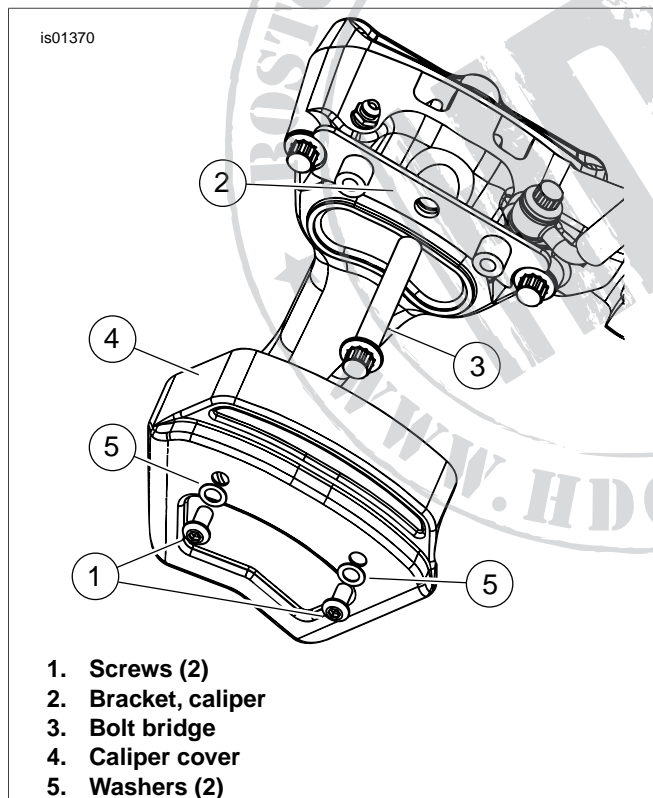


Figure 1. Assembly shown on Softail caliper

1. See Figure 1. Remove the original equipment center caliper screw (bridge bolt) (3).

2. Install the caliper bracket (2) as shown with the new bridge bolt from kit. Tighten to 28-38 ft-lbs (38-52 Nm).
3. Install the caliper cover (4) as shown with the provided washers (5) and screws (1). Check to be certain the caliper cover does not touch or interfere with the brakeline. It may be necessary to slightly rotate the brakeline banjo fitting to obtain clearance at the caliper cover.

NOTES

If Caliper Cover Kit is removed from caliper, the original equipment center caliper screw must be re-installed.

Check to be certain the caliper cover does not touch or interfere with the brakeline.

WARNING

After repairing the brake system, test brakes at low speed. If brakes are not operating properly, testing at high speeds can cause loss of control, which could result in death or serious injury. (00289a)

SERVICE PARTS

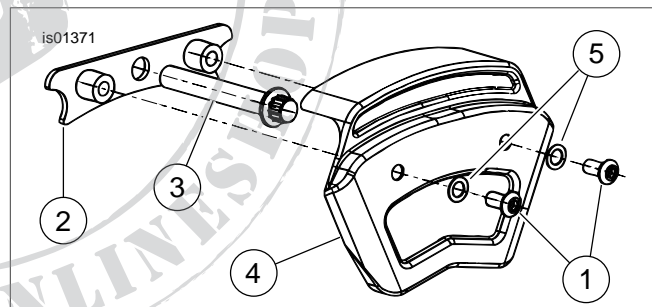


Figure 2. Service Parts: Rear Caliper Cover Kit

Table 1. Service Parts: Rear Caliper Cover Kit

Item	Description (Quantity)	Part Number
1	Screws (2)	94407-94T
2	Bracket	Not Sold Separately
3	Bridge bolt	Not Sold Separately
4	Caliper cover	Not Sold Separately
5	Wave washers, chrome (2)	Not Sold Separately