



INSTRUCTIONS

-J05566

2016-09-21

FRONT TURBINE WHEEL

GENERAL

▲ WARNING

Install only wheels and installation kits approved for your model motorcycle. Contact a Harley-Davidson dealer to verify fitment. Mismatching wheels and installation kits or installing wheels not approved for your model can cause loss of control, which could result in death or serious injury. (00610c)

Kit Numbers

43300047, 43300315, 43300395, 43300396

Models

For model fitment information, see the P&A Retail Catalog or the Parts and Accessories section of www.harley-davidson.com (English only).

NOTE

Accessory hub caps are not compatible with this wheel.

Kit Contents

This kit includes the custom wheel only. Refer to Figure 2. and Table 2

Additional Parts Required

Proper installation of this kit requires the separate purchase of the following parts which are available at a Harley-Davidson dealer:

- Wheel Installation Kit (Refer to Table 4. through Table 6 to determine required installation kit.)
- Brake Disc Screws (See Figure 1 and Table 1.)
- Wheel Bearing Remover and Installer (94134-09)
- For kits **43300395** and **43300396**: Optional Harley-Davidson Original Equipment angled valve stem may be installed. See a Harley-Davidson dealer for part numbers and proper torque values.

The following Harley-Davidson Genuine Motor Accessories are recommended for proper maintenance and cleaning:

- Chrome Clean & Shine (93600031 (US) / 93600082 (International))
- Glaze Poly Sealant (93600026 (US) / 93600079 (International))
- Harley® Wheel and Spoke Brush (43078-99)
- Wheel & Tire Cleaner (93600024 (US) / 93600076 (International))
- Harley® Preserve Bare Aluminum Protectant (99845-07)

▲ WARNING

The rider's safety depends upon the correct installation of this kit. Use the appropriate service manual procedures. If the procedure is not within your capabilities or you do not have the correct tools, have a Harley-Davidson dealer perform the installation. Improper installation of this kit could result in death or serious injury. (00333a)

NOTE

This instruction sheet references service manual information. A service manual for this year/model motorcycle is required for this installation. One is available from a Harley-Davidson dealer.

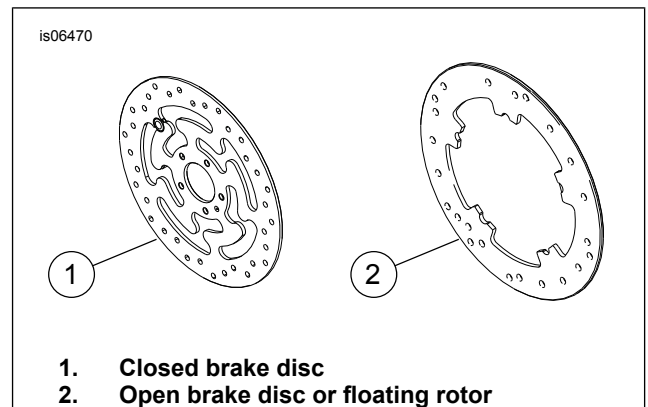


Figure 1. Front Brake Disc Styles

Table 1. Front Disc Hardware Fitment

Brake Disc	Hardware
Closed disc	5 Stock disc screws (3655A)
	Chrome screw kit (46646-05) includes 5 screws
Open disc	5 Stock disc screws (3762M) and 5 disc washers (6966M)

NOTE: Models equipped with dual front brakes and models being equipped with a wheel with dual brake mounting surfaces require twice as many screws/washers (10 total screws or 2 chrome screw kits if available).

INSTALLATION

NOTE

Install short valve stem (43157-83A) included in the installation kit. Discard all other valve stems.

1. Remove existing front wheel assembly. Save axle, axle nut, brake disc and wheel spacers for kit installation. See service manual.

NOTICE

Do not re-use brake disc/rotor screws. Re-using these screws can result in torque loss and damage to brake components. (00319c)

-J05566

Many Harley-Davidson® Parts & Accessories are made of plastics and metals which can be recycled. Please dispose of materials responsibly.

1 / 4

NOTE

Install the primary bearing first using appropriate service manual and WHEEL BEARING REMOVER/INSTALLER.

The bearing shims provided in the installation kits are not required and can be discarded.

The left side of the wheel has DOT markings to identify the primary bearing side.

2. See Figure 2. Install valve stem assembly (L) on wheel. See service manual.
3. Assemble the wheel installation kit components and brake disc(s) to wheel, using the appropriate service parts table. See service manual.

4. Install previously removed wheel spacers. See service manual.
5. Install front wheel (1), stock axle and stock axle nut. See service manual.

MAINTENANCE AND CLEANING

Chrome parts must be maintained regularly so that they keep their original shine and luster.

1. Clean heavily-soiled wheel surfaces using Wheel & Tire Cleaner, applied with Harley Wheel and Spoke Brush.
2. Thoroughly clean chrome with a good quality chrome cleaner, such as Harley Chrome Clean & Shine.
3. After cleaning and polishing, seal the finish with a good quality sealer, such as Glaze Poly Sealant.

SERVICE PARTS

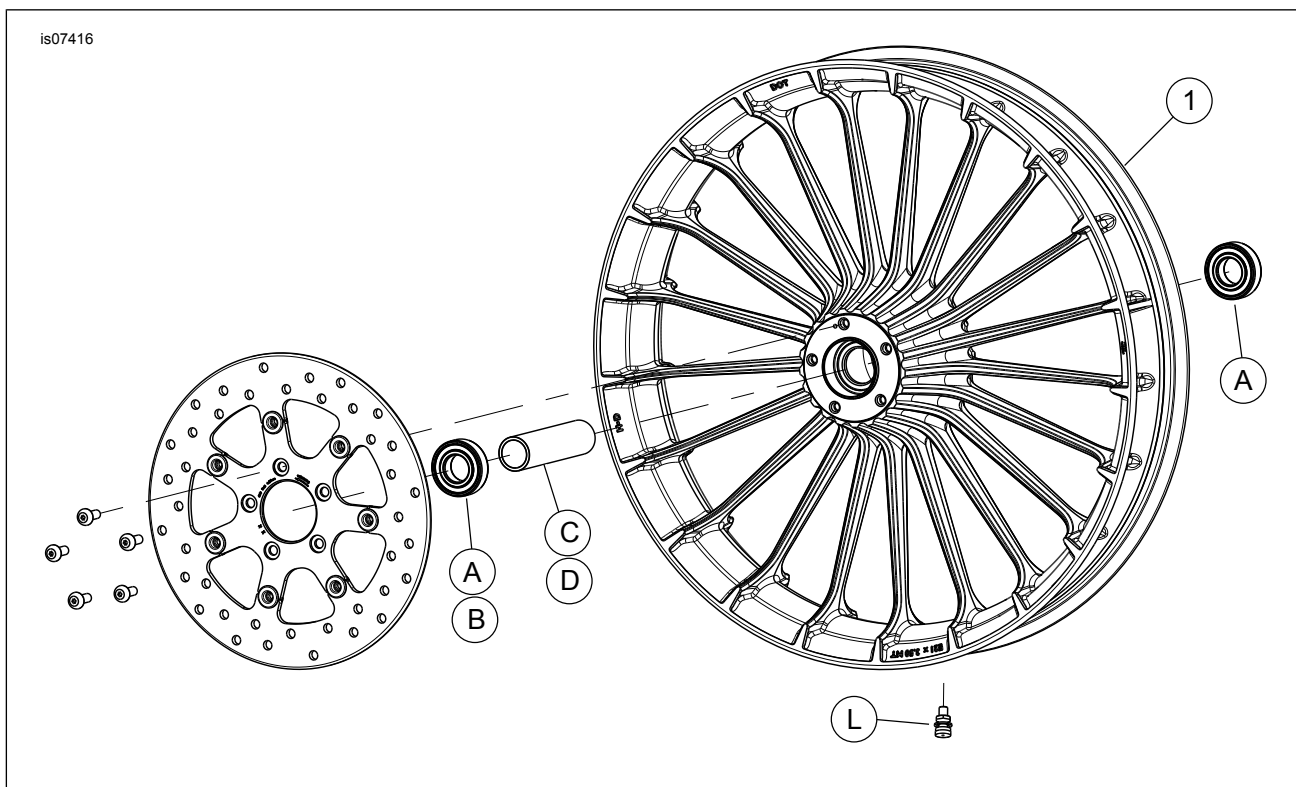


Figure 2. Service Parts: Front Turbine Wheel

Table 2. Service Parts and Wheel Kit Contents

Kit	Item	Description (Quantity)	Part Number
43300047, 43300315, 43300395, 43300396	1	Wheel	Not Sold Separately

Table 3. FRONT 25 mm Bearing Wheel Installation Kit (41455-08C)

FRONT 25 mm Bearing Wheel Installation Kit (41455-08C)		ITEM (Quantity Used and Description)								
Fitment	Wheel Size	A	C	D	J	K	L	M	N	
2008 Touring; 2009 and later FLHRC (non-ABS) and Trike (non-ABS)	16 x 3.0 in	2	0	1	0	1	*	*	*	
2009 and later Touring (non-ABS)	17 x 3.0 in	2	0	1	0	0	*	*	*	
2008 and later Touring (non-ABS)	18 x 3.5 in	2	0	1	0	**	*	*	*	
2008 and later Dyna (except FLD, FXDWG and FXDF)	19 x 2.5 in	2	1	0	**	0	*	*	0	
2008 and later VRSCAW, VRSCD, VRSCF and VRSCDX (non-ABS)	19 x 3.0 in	2	1	0	**	0	*	*	0	
2009 and later Touring (non-ABS)	19 x 3.5 in	2	0	1	0	0	*	*	*	

Table 3. FRONT 25 mm Bearing Wheel Installation Kit (41455-08C)

FRONT 25 mm Bearing Wheel Installation Kit (41455-08C)		ITEM (Quantity Used and Description)								
Fitment	Wheel Size	A	C	D	J	K	L	M	N	
Installation kits are designed to work with many different wheel styles and fitments. Contact a Harley-Davidson dealer to verify that the wheel and installation kits are both designed and approved for the motorcycle they are being installed on. NOTES: * See NOTE above valve installation step in INSTALLATION to determine which valve stem to use for your particular kit. Discard other valve stem(s). ** See NOTES for your wheel kit above the wheel assembly step in INSTALLATION to determine if bearing shim is used for your particular wheel kit and fitment. *** Bearing shim installed under the primary bearing.		A	Bearing, regular (2)		9276					
		C	Axle sleeve		41748-08					
		D	Axle sleeve		41900-08					
		J	Bearing shim***		41450-08					
		K	Bearing shim***		43903-08					
		L	Valve stem, short		43157-83A					
		M	Valve stem, long		43206-01					
	N	Valve stem, pull thru		40999-87						

Table 4. FRONT 25 mm Bearing ABS Wheel Installation Kit (41454-08B)

FRONT 25 mm Bearing ABS Wheel Installation Kit (41454-08B)		ITEM (Quantity Used and Description)								
Fitment	Wheel Size	A	B	C	D	J	K	L	M	N
2008 Touring and 2009 and later FLHRC with ABS	16 x 3.0 in	1	1	0	1	0	1	*	*	0
2009 and later Touring with ABS	17 x 3.0 in	1	1	0	1	0	0	*	*	*
2008 and later Touring with ABS	18 x 3.5 in	1	1	0	1	**	**	*	*	*
2012 and later Dyna with ABS (Except FLD, FXDWG and FXDF)	19 x 2.5 in	1	1	1	0	**	**	*	*	0
2008 and later VRSCAW, VRSCD, VRSCF and VRSCDX with ABS	19 x 3.0 in	1	1	1	0	**	**	*	*	0
2009 and later Touring with ABS	19 x 3.5 in	1	1	0	1	0	0	*	*	*
Installation kits are designed to work with many different wheel styles and fitments. Contact a Harley-Davidson dealer to verify that the wheel and installation kits are both designed and approved for the motorcycle they are being installed on. NOTES: * See NOTE above valve installation step in INSTALLATION to determine which valve stem to use for your particular kit. Discard other valve stem(s). ** See NOTES for your wheel kit above the wheel assembly step in INSTALLATION to determine which bearing shim to use for your particular wheel kit and fitment. *** Red side of bearing must be installed toward the wheel. The ABS bearing is primary. **** Bearing shim installed under the primary bearing.		A	Bearing, regular		9276					
		B	Bearing, ABS***		9252					
		C	Axle sleeve		41748-08					
		D	Axle sleeve		41900-08					
		J	Bearing shim****		41450-08					
		K	Bearing shim****		43903-08					
		L	Valve stem, short		43157-83A					
	M	Valve stem, long		43206-01						
	N	Valve stem, pull thru		40999-87						

Table 5. FRONT 25 mm Bearing Wheel Installation Kit (42400008)

FRONT 25 mm Bearing Wheel Installation Kit (42400008)		ITEM (Quantity Used and Description)								
Fitment	Wheel Size	A	C	D	E	K	L	M	N	
2015 and later XG500/XG750	17 x 2.5 in	2	1	0	0	0	1	0	0	
2010 and later XL1200X; 2011 and later XL1200C	16 x 3.0 in	2	0	0	1	0	*	*	*	
2008 and later XL (except XL1200X and 2011 and later XL883L)	19 x 2.5 in	2	1	0	0	1	*	*	*	
2008 and later XL (except XL1200X and 2011 and later XL883L)	21 x 2.15 in	2	1	0	0	1	*	*	*	
2013 and later FXSB (non-ABS)	21 x 3.5 in	2	0	1	0	0	*	*	*	
Installation kits are designed to work with many different wheel styles and fitments. Contact a Harley-Davidson dealer to verify that the wheel and installation kits are both designed and approved for the motorcycle they are being installed on. NOTES: * See NOTE above valve installation step in INSTALLATION to determine which valve stem to use for your particular kit. Discard other valve stem(s). ** Bearing shim installed under the primary bearing.		A	Bearing, regular (2)		9276A					
		C	Axle sleeve		43906-08					
		D	Axle sleeve		43300200					
		E	Axle sleeve		11888					
		K	Bearing shim**		43315-07					
		L	Valve stem, short		43157-83A					
		M	Valve stem, long		43206-01					
	N	Valve stem, pull thru		40999-87						

Table 6. FRONT 25 mm Bearing ABS Wheel Installation Kit (42400009A)

FRONT 25 mm Bearing ABS Wheel Installation Kit (42400009A)		ITEM (Quantity Used and Description)								
Fitment	Wheel Size	A	B	C	D	E	K	L	M	N
2013 and later FXSB with ABS	21 x 3.5 in	1	1	0	1	0	0	1	0	0
2014 and later XL1200X and XL1200C with ABS	16 x 3.0 in	1	1	0	0	1	0	*	*	*
2014 and later XL (except XL1200C, XL1200X and XL883L) with ABS	19 x 2.5 in	1	1	1	0	0	1	*	*	0
2014 and later XL (except XL1200C, XL1200X and XL883L) with ABS	21 x 2.15 in	1	1	1	0	0	1	*	*	0
2017 and later XG500 and XG750 with ABS	17 x 2.5 in	1	1	1	0	0	0	*	*	*

Table 6. FRONT 25 mm Bearing ABS Wheel Installation Kit (42400009A)

FRONT 25 mm Bearing ABS Wheel Installation Kit (42400009A)		ITEM (Quantity Used and Description)									
Fitment	Wheel Size	A	B	C	D	E	K	L	M	N	
Installation kits are designed to work with many different wheel styles and fitments. Contact a Harley-Davidson dealer to verify that the wheel and installation kits are both designed and approved for the motorcycle they are being installed on. NOTES: * See NOTE above valve installation step in INSTALLATION to determine which valve stem to use for your particular kit. Discard other valve stem(s). ** Red side of bearing must be installed toward the wheel. The ABS bearing is the primary bearing. *** Bearing shim installed under the primary bearing.		A	Bearing, regular					9276A			
		B	Bearing, ABS**					9252			
		C	Axle sleeve					43906-08			
		D	Axle sleeve					43300200			
		E	Axle sleeve					11888			
		K	Bearing shim***					43315-07			
		L	Valve stem, short					43157-83A			
		M	Valve stem, long					43206-01			
		N	Valve stem, pull-thru					40999-87			