



# INSTRUCTIONS

-J05883

2016-09-21

## FRONT MACHETE WHEEL KITS

### GENERAL

#### ▲ WARNING

Install only wheels and installation kits approved for your model motorcycle. Contact a Harley-Davidson dealer to verify fitment. Mismatching wheels and installation kits or installing wheels not approved for your model can cause loss of control, which could result in death or serious injury. (00610c)

### Kit Numbers

43300367, 43300368, 43300369, 43300370, 43300371, 43300372

### Models

For model fitment information, see the P&A Retail Catalog or the Parts and Accessories section of [www.harley-davidson.com](http://www.harley-davidson.com) (English only).

#### NOTE

Accessory hub caps are not compatible with this wheel.

### Kit Contents

This kit includes a custom wheel, and depending on the kit, may also include a hub cap. Refer to Figure 2. and Table 3 for kit contents.

### Additional Parts Required

Proper installation of this kit requires the separate purchase of the following parts which are available at a Harley-Davidson dealer:

- Tires ( Refer to Table 2. )
- Wheel Installation Kit ( Refer to Table 4. through Table 8 to determine required installation kit.)
- Brake Disc Screws ( Refer to Figure 1. and Refer to Table 1. )
- Wheel Bearing Remover and Installer (94134-09A)

### Recommended Products

The following Harley-Davidson Genuine Motor Accessories are recommended for proper maintenance and cleaning:

- Chrome Clean & Shine (93600031 (US) / 93600082 (International))
- Glaze Poly Sealant (93600026 (US) / 93600079 (International))
- Harley® Wheel and Spoke Brush (43078-99)
- Wheel & Tire Cleaner (93600024 (US) / 93600076 (International))

#### ▲ WARNING

The rider's safety depends upon the correct installation of this kit. Use the appropriate service manual procedures. If the procedure is not within your capabilities or you do not have the correct tools, have a Harley-Davidson dealer perform the installation. Improper installation of this kit could result in death or serious injury. (00333a)

#### NOTE

This instruction sheet references service manual information. A service manual for your model motorcycle is required for this installation and is available from a Harley-Davidson dealer.

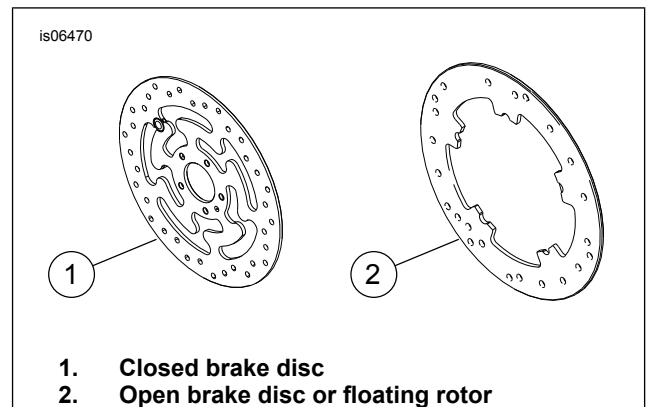


Figure 1. Front Brake Disc Styles

Table 1. Front Disc Hardware Fitment

| Brake Disc  | Hardware   |
|-------------|--|
| Closed disc | 5 Stock disc screws (3655A)                            |
|             | Chrome screw kit (46646-05) includes 5 screws          |
| Open disc   | 5 Stock disc screws (3762M) and 5 disc washers (6966M) |

NOTE: Models equipped with dual front brakes and models being equipped with a wheel with dual brake mounting surfaces require twice as many screws/washers (10 total screws or 2 chrome screw kits if available).

### INSTALLATION

#### NOTE

- Install short valve stem (43157-83A) included in the installation kit.

1. Remove existing front wheel assembly. Save axle, axle nut, brake disc and wheel spacers for kit installation. Refer to FRONT WHEEL in service manual. **For FLSTC and FLSTN Models:** Discard moon-style hub cap.

#### NOTE

Install the primary bearing first using appropriate service manual and WHEEL BEARING REMOVER/INSTALLER.

-J05883



Many Harley-Davidson® Parts & Accessories are made of plastics and metals which can be recycled. Please dispose of materials responsibly.

1 / 4

- The left side of the wheel has hub markings to identify it as the primary bearing side.
- The wheel should be installed so that the hub markings are on the left side of the motorcycle.
- The brake disc is installed on the left side of the wheel.

**For Kits 43300367 and 43300368:** When installing wheel on 2008 and later XL models, install bearing shim from installation kit under the primary bearing.

**For Kits 43300369, 43300370, 43300371, and 43300372:** The bearing shim provided in the installation kits are not required and can be discarded.

2. Refer to Figure 2. Install valve stem assembly (L) on wheel. Refer to TIRES in service manual.

**NOTICE**

**Do not re-use brake disc/rotor screws. Re-using these screws can result in torque loss and damage to brake components. (00319c)**

3. Assemble the wheel installation kit components and brake disc(s) to wheel, using the appropriate service parts table. Refer to FRONT WHEEL in Service Manual.
4. **For FLSTC and FLSTN Models:** Install wheel kit and right side wheel spacer provided in installation kit. Refer to FRONT WHEEL in Service Manual. **For all other models:** Install previously removed wheel spacers. Refer to FRONT WHEEL in service manual.
5. Install front wheel (1), stock axle and stock axle nut. Refer to FRONT WHEEL in service manual.

**MAINTENANCE AND CLEANING**

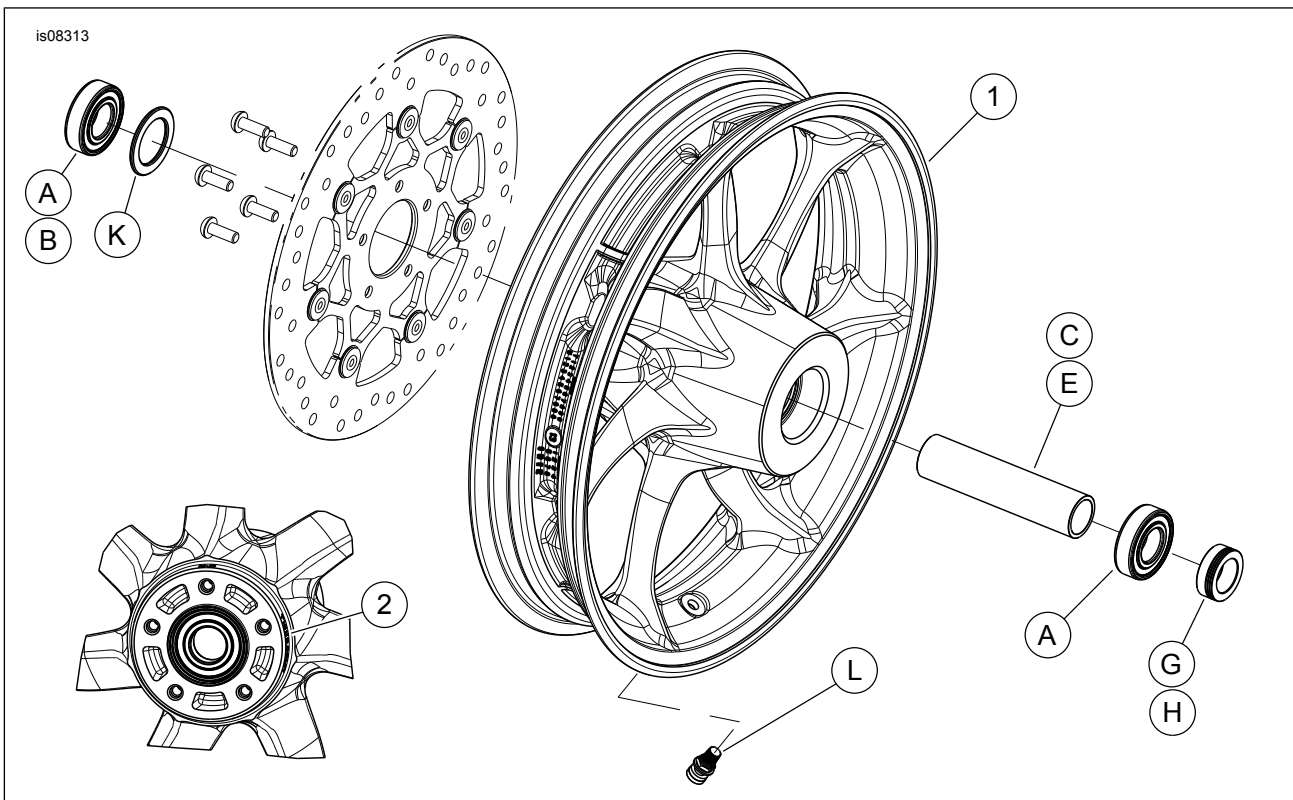
Chrome parts must be maintained regularly so that they keep their original shine and luster.

1. Clean heavily-soiled wheel surfaces using Wheel & Tire Cleaner, applied with Harley Wheel and Spoke Brush.
2. Thoroughly clean chrome with a good quality chrome cleaner, such as Harley Chrome Clean & Shine.
3. After cleaning and polishing, seal the finish with a good quality sealer, such as Glaze Poly Sealant.

**Table 2. Recommended Tire Combinations**

| Kit Installation                                       | Recommended Tire          | Front Tire Part No. | Rear Tire Part No. |
|--|---------------------------|---------------------|--------------------|
| 44057-07 - Installed on a 2014-Later 1200V             | Dunlop GT502BW            | 40554-04A           | 40555-04A          |
|  | Dunlop D401 BW            | 43112-91A           | 43264-02           |
|  | Dunlop D401 WWW           | 55193-10            | 55192-10           |
|  | Michelin Scorcher "31" BW | 43258-07B           | 40878-11           |
| 44055-07 and 44056-07 - Installed on a 2014-Later 883N | Dunlop D401 MWW           | 43100004            | 43200007           |
|  | Michelin Scorcher "31" BW | 41036-12            | 40878-11           |

**SERVICE PARTS**



**Figure 2. Service Parts: Front Machete Wheel Kit**

**Table 3. Service Parts and Wheel Kit Contents**

| Kit   | Item | Description (Quantity) | Part Number         |
|---|------|------------------------|---------------------|
| 43300367,<br>43300368,<br>43300369,<br>43300370,<br>43300371,<br>43300372 | 1    | Wheel                  | Not Sold Separately |
| Visual indicator mentioned in text:                                       |      |                        |                     |
|   | 2    | Hub markings           |                     |

**Table 4. FRONT 3/4 Inch Bearing Wheel Installation Kit (43833-07A)**

| FRONT 3/4 Inch Bearing Wheel Installation Kit (43833-07A)  |                   | ITEM (Quantity Used and Description) |   |     |   |     |           |           |   |   |
|--|-------------------|--------------------------------------|---|-----|---|-----|-----------|-----------|---|---|
| Fitment  | Wheel Size        | A                                    | C | D   | E | G   | H         | I         | L | M |
| 2000-2006 FLST and FLSTF (except 2006 FLSTFSE2)  | 16 x 3.0 in       | 2                                    | 0 | 1   | 0 | 0   | 0         | 0         | * | * |
| 2000-2006 FLSTC and FLSTN  | 16 x 3.0 in       | 2                                    | 0 | 1   | 0 | 0   | 0         | 1         | * | * |
| 2006 FLSTFSEi  | 17 x 3.5 in       | 2                                    | 0 | 1   | 0 | 0   | 0         | 1         | * | * |
| 2008-later FLSTSB  | 18 x 3.5 in       | 2                                    | 0 | *** | 0 | *** | 0         | 0         | * | * |
| 2000-2007 XL; 2000-2003 Dyna (except FXDWG)  | 19 x 2.5 in       | 2                                    | 0 | 0   | 1 | 0   | 0         | 0         | * | * |
| 2000-2007 XL; 2000-2003 Dyna (except FXDWG)  | 21 x 2.15 in      | 2                                    | 0 | 0   | 1 | 0   | 0         | 0         | * | * |
| 2000-2006 FXST/B/C; 2000-2005 FXDWG**  | 21 x 2.15 in      | 2                                    | 1 | 0   | 0 | 0   | 0         | 0         | * | * |
| 2000-2006 FXSTS**  | 21 x 2.15 in      | 2                                    | 1 | 0   | 0 | 0   | 1         | 0         | * | * |
| 2000-2006 FXSTD (Except FXSTDSE)**   | 21 x 2.15 in      | 2                                    | 1 | 0   | 0 | 1   | 0         | 0         | * | * |
| Installation kits are designed to work with many different wheel styles and fitments. Contact a Harley-Davidson dealer to verify that the wheel and installation kits are both designed and approved for the motorcycle they are being installed on.<br>NOTES:<br>* See <b>NOTE</b> above valve installation step in INSTALLATION to determine which valve stem to use for your particular kit. Discard other valve stem(s).<br>** The right side of the wheel is the primary bearing side for this fitment.<br>*** See INSTALLATION section for separate hardware kit to be used for FLSTSB models. | A                 | Bearing, regular (2)                 |   |     |   |     |           | 9267      |   |   |
|  | C                 | Axle sleeve                          |   |     |   |     |           | 43536-00  |   |   |
|  | D                 | Axle sleeve                          |   |     |   |     |           | 43608-00  |   |   |
|  | E                 | Axle sleeve                          |   |     |   |     |           | 43613-00  |   |   |
|  | G                 | Spacer, axle                         |   |     |   |     |           | 40910-00A |   |   |
|  | H                 | Spacer, axle                         |   |     |   |     |           | 43313-98  |   |   |
|  | I                 | Spacer, wheel                        |   |     |   |     |           | 43617-00A |   |   |
| L  | Valve stem, short |                                      |   |     |   |     | 43157-83A |           |   |   |
| M  | Valve stem, long  |                                      |   |     |   |     | 43206-01  |           |   |   |

**Table 5. FRONT 25 mm Bearing Wheel Installation Kit (43851-11A)**

| FRONT 25 mm Bearing Wheel Installation Kit (43851-11A)   |                       | ITEM (Quantity Used and Description) |   |   |   |   |          |           |   |  |
|--|-----------------------|--------------------------------------|---|---|---|---|----------|-----------|---|--|
| Fitment  | Wheel Size            | A                                    | C | G | H | J | L        | M         | N |  |
| 2007 and later FLSTC, FLSTN and FLS (non-ABS)  | 16 x 3.0 in           | 2                                    | 1 | 0 | 1 | 1 | *        | *         | * |  |
| 2008 and later FXDF  | 16 x 3.0 in           | 2                                    | 1 | 0 | 0 | 0 | *        | *         | * |  |
| 2007 and later FLSTF and FLSTFB (non-ABS)  | 17 x 3.5 in           | 2                                    | 1 | 0 | 0 | 0 | *        | *         | * |  |
| 2008 and later FLSTF and FLSTFB (non-ABS)  | 18 x 3.5 in           | 2                                    | 1 | 0 | 0 | 0 | *        | *         | * |  |
| 2008 and later FXDF; 2012 and later FLD  | 18 x 3.5 in           | 2                                    | 1 | 0 | 0 | 0 | *        | *         | * |  |
| 2007 and later FXS, FXST/B/C (non-ABS); 2008 and later FXDWG***  | 21 x 2.15 in          | 2                                    | 1 | 0 | 0 | 1 | *        | *         | * |  |
| 2007 FXSTD***  | 21 x 2.15 in          | 2                                    | 1 | 1 | 0 | 1 | *        | *         | * |  |
| Installation kits are designed to work with many different wheel styles and fitments. Contact a Harley-Davidson dealer to verify that the wheel and installation kits are both designed and approved for the motorcycle they are being installed on.<br>NOTES:<br>* See <b>NOTE</b> above valve installation step in INSTALLATION to determine which valve stem to use for your particular kit. Discard other valve stem(s).<br>** Bearing shim installed under the primary bearing.<br>*** The left side of the wheel is the primary bearing side for this fitment. | A                     | Bearing, regular (2)                 |   |   |   |   |          | 9276      |   |  |
|  | C                     | Axle sleeve                          |   |   |   |   |          | 41349-07  |   |  |
|  | G                     | Spacer, axle                         |   |   |   |   |          | 41504-07  |   |  |
|  | H                     | Spacer, axle                         |   |   |   |   |          | 41695-07  |   |  |
|  | J                     | Bearing shim**                       |   |   |   |   |          | 43315-07  |   |  |
|  | L                     | Valve stem, short                    |   |   |   |   |          | 43157-83A |   |  |
|  | M                     | Valve stem, long                     |   |   |   |   |          | 43206-01  |   |  |
| N  | Valve stem, pull-thru |                                      |   |   |   |   | 40999-87 |           |   |  |

**Table 6. FRONT 25 mm Bearing Wheel Installation Kit (42400008)**

| FRONT 25 mm Bearing Wheel Installation Kit (42400008)  |              | ITEM (Quantity Used and Description) |   |   |   |   |   |           |   |  |
|--|--------------|--------------------------------------|---|---|---|---|---|-----------|---|--|
| Fitment  | Wheel Size   | A                                    | C | D | E | K | L | M         | N |  |
| 2015 and later XG500/XG750   | 17 x 2.5 in  | 2                                    | 1 | 0 | 0 | 0 | 1 | 0         | 0 |  |
| 2010 and later XL1200X; 2011 and later XL1200C   | 16 x 3.0 in  | 2                                    | 0 | 0 | 1 | 0 | * | *         | * |  |
| 2008 and later XL (except XL1200X and 2011 and later XL883L)   | 19 x 2.5 in  | 2                                    | 1 | 0 | 0 | 1 | * | *         | * |  |
| 2008 and later XL (except XL1200X and 2011 and later XL883L)   | 21 x 2.15 in | 2                                    | 1 | 0 | 0 | 1 | * | *         | * |  |
| 2013 and later FXSB (non-ABS)  | 21 x 3.5 in  | 2                                    | 0 | 1 | 0 | 0 | * | *         | * |  |
| Installation kits are designed to work with many different wheel styles and fitments. Contact a Harley-Davidson dealer to verify that the wheel and installation kits are both designed and approved for the motorcycle they are being installed on.<br>NOTES:<br>* See <b>NOTE</b> above valve installation step in INSTALLATION to determine which valve stem to use for your particular kit. Discard other valve stem(s).<br>** Bearing shim installed under the primary bearing. | A            | Bearing, regular (2)                 |   |   |   |   |   | 9276A     |   |  |
|  | C            | Axle sleeve                          |   |   |   |   |   | 43906-08  |   |  |
|  | D            | Axle sleeve                          |   |   |   |   |   | 43300200  |   |  |
|  | E            | Axle sleeve                          |   |   |   |   |   | 11888     |   |  |
|  | K            | Bearing shim**                       |   |   |   |   |   | 43315-07  |   |  |
|  | L            | Valve stem, short                    |   |   |   |   |   | 43157-83A |   |  |
|  | M            | Valve stem, long                     |   |   |   |   |   | 43206-01  |   |  |
|  | N            | Valve stem, pull thru                |   |   |   |   |   | 40999-87  |   |  |

**Table 7. FRONT 25 mm Bearing ABS Wheel Installation Kit (42400009A)**

| FRONT 25 mm Bearing ABS Wheel Installation Kit (42400009A)  |                       | ITEM (Quantity Used and Description) |   |   |   |   |          |           |   |   |  |
|---|-----------------------|--------------------------------------|---|---|---|---|----------|-----------|---|---|--|
| Fitment   | Wheel Size            | A                                    | B | C | D | E | K        | L         | M | N |  |
| 2013 and later FXSB with ABS  | 21 x 3.5 in           | 1                                    | 1 | 0 | 1 | 0 | 0        | 1         | 0 | 0 |  |
| 2014 and later XL1200X and XL1200C with ABS   | 16 x 3.0 in           | 1                                    | 1 | 0 | 0 | 1 | 0        | *         | * | * |  |
| 2014 and later XL (except XL1200C, XL1200X and XL883L) with ABS   | 19 x 2.5 in           | 1                                    | 1 | 1 | 0 | 0 | 1        | *         | * | 0 |  |
| 2014 and later XL (except XL1200C, XL1200X and XL883L) with ABS   | 21 x 2.15 in          | 1                                    | 1 | 1 | 0 | 0 | 1        | *         | * | 0 |  |
| 2017 and later XG500 and XG750 with ABS   | 17 x 2.5 in           | 1                                    | 1 | 1 | 0 | 0 | 0        | *         | * | * |  |
| Installation kits are designed to work with many different wheel styles and fitments. Contact a Harley-Davidson dealer to verify that the wheel and installation kits are both designed and approved for the motorcycle they are being installed on.<br>NOTES:<br>* See <b>NOTE</b> above valve installation step in INSTALLATION to determine which valve stem to use for your particular kit. Discard other valve stem(s).<br>** Red side of bearing must be installed toward the wheel. The ABS bearing is the primary bearing.<br>*** Bearing shim installed under the primary bearing. | A                     | Bearing, regular                     |   |   |   |   |          | 9276A     |   |   |  |
|   | B                     | Bearing, ABS**                       |   |   |   |   |          | 9252      |   |   |  |
|   | C                     | Axle sleeve                          |   |   |   |   |          | 43906-08  |   |   |  |
|   | D                     | Axle sleeve                          |   |   |   |   |          | 43300200  |   |   |  |
|   | E                     | Axle sleeve                          |   |   |   |   |          | 11888     |   |   |  |
|   | K                     | Bearing shim***                      |   |   |   |   |          | 43315-07  |   |   |  |
|   | L                     | Valve stem, short                    |   |   |   |   |          | 43157-83A |   |   |  |
| M   | Valve stem, long      |                                      |   |   |   |   | 43206-01 |           |   |   |  |
| N   | Valve stem, pull-thru |                                      |   |   |   |   | 40999-87 |           |   |   |  |

**Table 8. FRONT 25 mm Bearing ABS Wheel Installation Kit (424000010)**

| FRONT 25 mm Bearing ABS Wheel Installation Kit (424000010)  |                       | ITEM (Quantity Used and Description) |   |   |   |   |          |           |   |   |  |
|---|-----------------------|--------------------------------------|---|---|---|---|----------|-----------|---|---|--|
| Fitment   | Wheel Size            | A                                    | B | C | G | J | K        | L         | M | N |  |
| 2011 and later FLSTC, FLSTN and FLS with ABS  | 16 x 3.0 in           | 1                                    | 1 | 1 | 1 | 0 | 1        | *         | * | * |  |
| 2012 and later FXDF with ABS  | 16 x 3.0 in           | 1                                    | 1 | 1 | 0 | 0 | 0        | *         | * | * |  |
| 2011 and later FLSTF and FLSTFB with ABS  | 17 x 3.5 in           | 1                                    | 1 | 1 | 0 | 0 | 0        | *         | * | * |  |
| 2011 and later FLSTF and FLSTFB with ABS  | 18 x 3.5 in           | 1                                    | 1 | 1 | 0 | 0 | 0        | *         | * | * |  |
| 2012 and later FXDF and FLD with ABS  | 18 x 3.5 in           | 1                                    | 1 | 1 | 0 | 0 | 0        | *         | * | * |  |
| 2011 and later FXS, FXST and 2012 and later FXDWG with ABS  | 21 x 2.15 in          | 1                                    | 1 | 1 | 0 | 0 | 1        | *         | * | * |  |
| Installation kits are designed to work with many different wheel styles and fitments. Contact a Harley-Davidson dealer to verify that the wheel and installation kits are both designed and approved for the motorcycle they are being installed on.<br>NOTES:<br>* See <b>NOTE</b> above valve installation step in INSTALLATION to determine which valve stem to use for your particular kit. Discard other valve stem(s).<br>** Red side of bearing must be installed toward the wheel. The ABS bearing is the primary bearing.<br>*** Bearing shim installed under the primary bearing. | A                     | Bearing, regular                     |   |   |   |   |          | 9276A     |   |   |  |
|   | B                     | Bearing, ABS**                       |   |   |   |   |          | 9252      |   |   |  |
|   | C                     | Axle sleeve                          |   |   |   |   |          | 41349-07  |   |   |  |
|   | G                     | Spacer                               |   |   |   |   |          | 41695-07  |   |   |  |
|   | J                     | Bearing shim***                      |   |   |   |   |          | 41448-08  |   |   |  |
|   | K                     | Bearing shim***                      |   |   |   |   |          | 43315-07  |   |   |  |
|   | L                     | Valve stem, short                    |   |   |   |   |          | 43157-83A |   |   |  |
| M   | Valve stem, long      |                                      |   |   |   |   | 43206-01 |           |   |   |  |
| N   | Valve stem, pull-thru |                                      |   |   |   |   | 40999-87 |           |   |   |  |