



# INSTRUCTIONS

-J05256

REV. 2011-03-25

## CHISEL FRONT WHEELS

### GENERAL

#### **⚠ WARNING**

Install only wheels and installation kits approved for your model motorcycle. Contact a Harley-Davidson dealer to verify fitment. Mismatching wheels and installation kits or installing wheels not approved for your model can cause loss of control, which could result in death or serious injury. (00610c)

#### Kit Numbers

43300057, 43300059

#### Models

For model fitment information, see the P&A Retail Catalog or the Parts and Accessories section of [www.harley-davidson.com](http://www.harley-davidson.com) (English only).

#### Kit Contents

See Figure 1 and the Service Parts Tables.

#### Additional Parts Required

Accessory hub caps are not compatible with this wheel.

This kit includes the custom wheel only.

Proper installation of this kit requires the separate purchase of the following parts which are available at a Harley-Davidson dealer:

- Wheel Installation Kit (See Table 2 and Table 3 to determine required installation kit.)
- 14 Brake disc shoulder screws (3762M) and 14 washers (6966M) or 3 chrome screw kits (91800029). Chrome screw kit contains 5 screws and 5 washers
- Wheel Bearing Remover and Installer (94134-09)
- Two Chisel style floating brake rotor kits (41500040 (polished) or 41500042 (unpolished))

#### **⚠ WARNING**

The rider's safety depends upon the correct installation of this kit. Use the appropriate service manual procedures. If the procedure is not within your capabilities or you do not have the correct tools, have a Harley-Davidson dealer perform the installation. Improper installation of this kit could result in death or serious injury. (00333a)

#### NOTE

This instruction sheet references service manual information. A service manual for your model motorcycle is required for this installation and is available from a Harley-Davidson Dealer.

### Recommended Additional Parts

The following Harley-Davidson Genuine Motor Accessories are recommended for proper maintenance and cleaning:

- Harley® Bright™ Chrome Cleaner (94683-99)
- Harley® Glaze™ Polish and Sealant (99701-84)
- Harley® Wheel and Spoke Brush (43078-99)
- Harley-Davidson® Wheel and Tire Cleaner (94658-98)
- Harley® Preserve™ Bare Aluminum Protectant (99845-07)

### INSTALLATION

1. Remove existing front wheel assembly. Save axle, axle nut, brake disc and wheel spacers for kit installation. See the service manual.

#### NOTE

Install short valve stem (43157-83A) included in the installation kit. Discard all other valve stems.

2. See Figure 1. Install valve stem assembly (L) on wheel. See the service manual.

#### NOTICE

**Do not re-use brake disc/rotor screws. Re-using these screws can result in torque loss and damage to brake components. (00319c)**

#### NOTE

Do not install the bearing shim included in the installation kit.

3. Assemble wheel installation kit components and brake disc(s) to wheel, using the appropriate service parts table. See the service manual.
4. Install primary bearing with a Wheel Bearing Remover and Installer. See the service manual. The left side of the wheel has DOT cast in the wheel to indicate the primary side of the wheel.

#### NOTE

If the wheel has a yellow dot sticker on the rim, orient the tire so the white dot is opposite of the sticker. If the wheel has a green dot sticker on the rim, orient the tire so the white dot is aligned with the sticker. If no rim dot sticker is present, see the service manual.

5. Install wheel spacers (previously removed).
6. Install front wheel (1) and stock axle. See the service manual.

### MAINTENANCE AND CLEANING

Chrome parts must be maintained regularly so they keep their original shine and luster.

1. Clean heavily-soiled wheel surfaces using Harley-Davidson Wheel and Tire Cleaner, applied with Harley Wheel and Spoke Brush.
2. Thoroughly clean chrome with a good quality chrome cleaner, such as Harley Bright Chrome Cleaner.
3. After cleaning and polishing, seal the finish with a good quality sealer, such as Harley Glaze Polish and Sealant.

## SERVICE PARTS

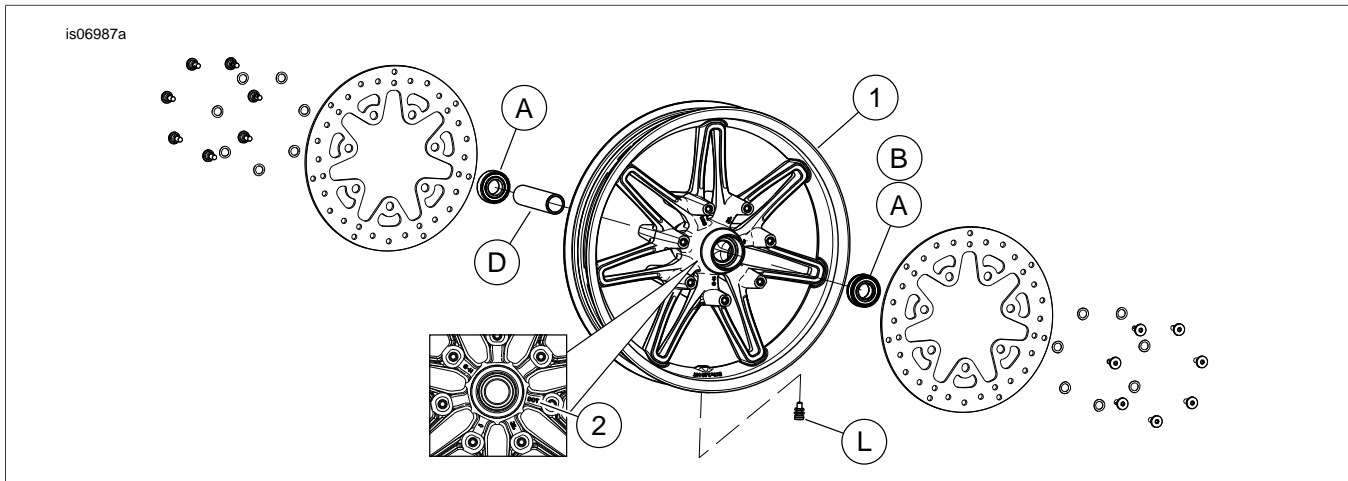


Figure 1. Service Parts: Chisel Front Wheels (17-inch shown)

Table 1. Service Parts and Wheel Kit Contents

| Kit                                 | Item | Description (Quantity) | Part Number         |
|-------------------------------------|------|------------------------|---------------------|
| 43300057, 43300059                  | 1    | Wheel                  | Not Sold Separately |
| Visual indicator mentioned in text: |      |                        |                     |
|                                     | 2    | DOT mark cast in wheel |                     |

Table 2. FRONT 25 mm Bearing Wheel Installation Kit (41455-08C)

| FRONT 25 mm Bearing Wheel Installation Kit (41455-08C)   |                       | ITEM (Quantity Used and Description) |                      |   |          |    |           |   |   |
|--|-----------------------|--------------------------------------|----------------------|---|----------|----|-----------|---|---|
| Fitment  | Wheel Size            | A                                    | C                    | D | J        | K  | L         | M | N |
| 2008 Touring; 2009 and later FLHRC (non-ABS)   | 16 x 3.0 in           | 2                                    | 0                    | 1 | 0        | 1  | *         | * | 0 |
| 2009 and later Touring (non-ABS)   | 17 x 3.0 in           | 2                                    | 0                    | 1 | 0        | 0  | *         | * | * |
| 2008 and later Touring (non-ABS)   | 18 x 3.5 in           | 2                                    | 0                    | 1 | 0        | ** | *         | * | * |
| 2008 and later Dyna (except FXDWG and FXDF)  | 19 x 2.5 in           | 2                                    | 1                    | 0 | **       | 0  | *         | * | 0 |
| 2008 and later VRSCAW, VRSCD, VRSCF and VRSCDX (non-ABS)   | 19 x 3.0 in           | 2                                    | 1                    | 0 | 1        | 0  | *         | * | 0 |
| 2009 and later Touring (non-ABS)   | 19 x 3.5 in           | 2                                    | 0                    | 1 | 0        | 0  | *         | * | * |
| Installation kits are designed to work with many different wheel styles and fitments. Contact a Harley-Davidson dealer to verify that the wheel and installation kits are both designed and approved for the motorcycle they are being installed on.<br><b>NOTES:</b><br>* See <i>NOTE</i> above valve installation step in <i>INSTALLATION</i> to determine which valve stem to use for your particular kit. Discard other valve stem(s).<br>** See <i>NOTES</i> for your wheel kit above the wheel assembly step in <i>INSTALLATION</i> to determine if bearing shim is used for your particular wheel kit and fitment.<br>*** Bearing shim installed under the primary bearing. |                       | A                                    | Bearing, regular (2) |   |          |    | 9276      |   |   |
|  |                       | C                                    | Axle sleeve          |   |          |    | 41748-08  |   |   |
|  |                       | D                                    | Axle sleeve          |   |          |    | 41900-08  |   |   |
|  |                       | J                                    | Bearing shim***      |   |          |    | 41450-08  |   |   |
|  |                       | K                                    | Bearing shim***      |   |          |    | 43903-08  |   |   |
|  |                       | L                                    | Valve stem, short    |   |          |    | 43157-83A |   |   |
|  |                       | M                                    | Valve stem, long     |   |          |    | 43206-01  |   |   |
| N  | Valve stem, pull thru |                                      |                      |   | 40999-87 |    |           |   |   |

**Table 3. FRONT 25 mm Bearing ABS Wheel Installation Kit (41454-08B)**

| FRONT 25 mm Bearing ABS Wheel Installation Kit (41454-08B)  |                       | ITEM (Quantity Used and Description) |          |           |   |    |    |   |   |   |  |
|---|-----------------------|--------------------------------------|----------|-----------|---|----|----|---|---|---|--|
| Fitment   | Wheel Size            | A                                    | B        | C         | D | J  | K  | L | M | N |  |
| 2008 Touring and 2009 and later FLHRC with ABS  | 16 x 3.0 in           | 1                                    | 1        | 0         | 1 | 0  | 1  | * | * | 0 |  |
| 2009 and later Touring with ABS   | 17 x 3.0 in           | 1                                    | 1        | 0         | 1 | 0  | 0  | * | * | * |  |
| 2008 and later Touring with ABS   | 18 x 3.5 in           | 1                                    | 1        | 0         | 1 | ** | ** | * | * | * |  |
| 2008 and later VRSCAW, VRSCD, VRSCF and VRSCDX with ABS   | 19 x 3.0 in           | 1                                    | 1        | 1         | 0 | ** | ** | * | * | 0 |  |
| 2009 and later Touring with ABS   | 19 x 3.5 in           | 1                                    | 1        | 0         | 1 | 0  | 0  | * | * | * |  |
| Installation kits are designed to work with many different wheel styles and fitments. Contact a Harley-Davidson dealer to verify that the wheel and installation kits are both designed and approved for the motorcycle they are being installed on.<br>NOTES:<br>* See <i>NOTE</i> above valve installation step in INSTALLATION to determine which valve stem to use for your particular kit. Discard other valve stem(s).<br>** See <i>NOTES</i> for your wheel kit above the wheel assembly step in INSTALLATION to determine which bearing shim to use for your particular wheel kit and fitment.<br>*** Red side of bearing must be installed toward the wheel. The ABS bearing is primary.<br>**** Bearing shim installed under the primary bearing. | A                     | Bearing, regular                     |          | 9276      |   |    |    |   |   |   |  |
|   | B                     | Bearing, ABS***                      |          | 9252      |   |    |    |   |   |   |  |
|   | C                     | Axle sleeve                          |          | 41748-08  |   |    |    |   |   |   |  |
|   | D                     | Axle sleeve                          |          | 41900-08  |   |    |    |   |   |   |  |
|   | J                     | Bearing shim****                     |          | 41450-08  |   |    |    |   |   |   |  |
|   | K                     | Bearing shim****                     |          | 43903-08  |   |    |    |   |   |   |  |
|   | L                     | Valve stem, short                    |          | 43157-83A |   |    |    |   |   |   |  |
|   | M                     | Valve stem, long                     |          | 43206-01  |   |    |    |   |   |   |  |
| N   | Valve stem, pull thru |                                      | 40999-87 |           |   |    |    |   |   |   |  |

