



INSTRUCTIONS

-J04642

REV. 2008-01-04

SKULL FRONT AXLE NUT COVER KIT

GENERAL

Kit Number

43163-08A

Models

For model fitment information, please see the P&A Retail Catalog or the Parts and Accessories section of www.harley-davidson.com (English only).

WARNING

The rider's safety depends upon the correct installation of this kit. Use the appropriate service manual procedures. If the procedure is not within your capabilities or you do not have the correct tools, have a Harley-Davidson dealer perform the installation. Improper installation of this kit could result in death or serious injury. (00333a)

Kit Contents

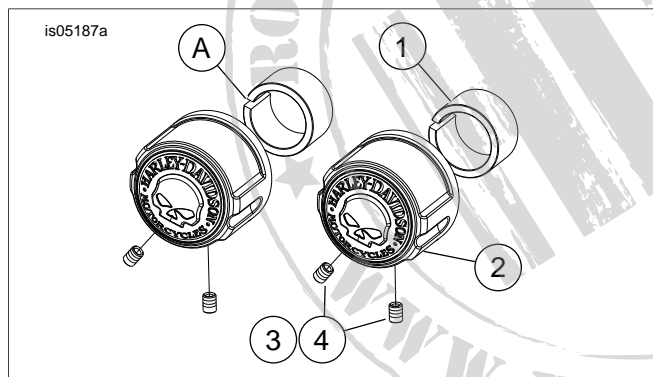


Figure 1. Front Axle Nut Cover Kit

Table 1. Kit Contents

Item	Description (Quantity)
1	Spacer, split (2) (for 2007 and earlier Dyna, Touring and 2006 and earlier Softail models)
2	Cover, front axle nut, skull (2)
3	Set screw, #10-24 x 0.25 inch cup point, thread lock (4) (All except 2008 and later XL axle nut side)
4	Set screw, #10-24 x 0.375 inch (For 2008 and later XL axle nut side only)
5	Hex wrench, 3/32 (not shown)
Items referenced in text, but not included in kit	
A	Slot in 9 o'clock position

There are no Service Parts available with this kit.

INSTALLATION

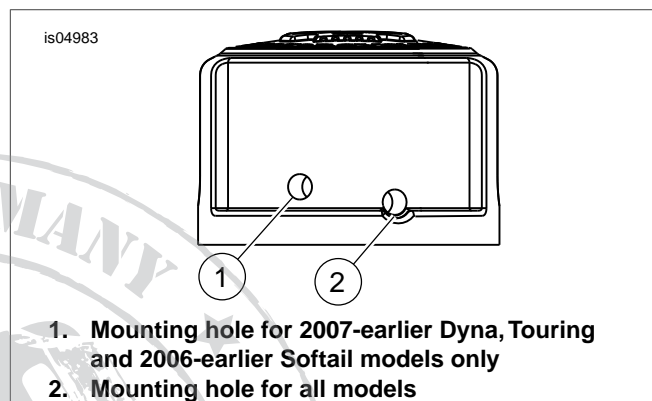


Figure 2. Installing the Spacer and Cover

For 2007-Earlier Dyna, Touring and 2006 and earlier Softail Models

1. See Figure 1. Install spacer (1) to the axle nut and axle shaft so the slot (A) in the spacer is pointed in a 9 o'clock position.
2. Install the axle covers (2) over the spacers so the skull is in an upright, vertical position.
3. See Figure 2. Install set screws in the mounting holes (1 and 2). Tighten all four set screws securely.

For VRSC Models, 2007 and later Softail Models, 2008 and later Dyna and Touring Models

1. See Figure 1. Discard the spacers (1) and install the axle covers (2) directly to the axle nut and axle shaft so the skull is in an upright, vertical position.
2. See Figure 2. Install set screws in the mounting holes (1 and 2). Tighten screw in hole (1) securely and then tighten screw in hole (2).

For 2008 and later XL Models

1. See Figure 2. Install the 0.375 inch long set screw in one of the axle nut covers using mounting hole (2). Install the cover on nut side of axle.

NOTE

The orientation of the axle and axle nut may need to be changed to get skull to align properly.

2. Install a 0.25 inch long set screw in mounting hole (2) of the remaining cover. Install cover on the opposite side of axle. Extra set screws may be discarded.
3. Tighten set screws securely.