



# INSTRUCTIONS

-J06133

2014-09-30

## REAR AXLE NUT COVER KIT

### GENERAL

#### Kit Number

43000051, 43000052

#### Models

For model fitment information, see the P&A Retail Catalog or the Parts and Accessories section of [www.harley-davidson.com](http://www.harley-davidson.com) (English only).

#### Installation Requirements

##### ▲ WARNING

The rider's safety depends upon the correct installation of this kit. Use the appropriate service manual procedures. If the procedure is not within your capabilities or you do not have the correct tools, have a Harley-Davidson dealer perform the installation. Improper installation of this kit could result in death or serious injury. (00333a)

##### NOTE

*This instruction sheet references service manual information. A service manual for your model motorcycle is required for this installation and is available from a Harley-Davidson dealer.*

#### Kit Contents

See Figure 1 and Table 1.

### INSTALLATION

1. See Figure 1. Remove the rear axle (A). See the service manual. Discard original equipment (OE) axle washers and axle nut.
2. Partially install a set screw (3) into the threaded hole in each axle nut cover (2).
3. Install grooved washer (4) onto axle with the grooved end toward head of axle.
4. See the service manual. Install the axle. Replace OE washer and axle nut with grooved washer (4) and axle nut (1).
5. Install axle nut covers (2) over rear axle (A) head and axle nut (1). Locate the set screw (3) into the groove of the grooved washer (4).
6. Adjust the position of the exhaust system as necessary to provide axle nut clearance.
7. Tighten the axle nut-cover set screws (3) to 1.1–1.7 N·m (10–15 in-lbs).

##### NOTE

*The set screws in this kit are treated with a thread-locking compound. If axle covers are removed, apply Loctite® 243 (Blue) Threadlocker (Harley-Davidson Part Number 99642-97) to the set screw threads when axle covers are installed again.*



# SERVICE PARTS

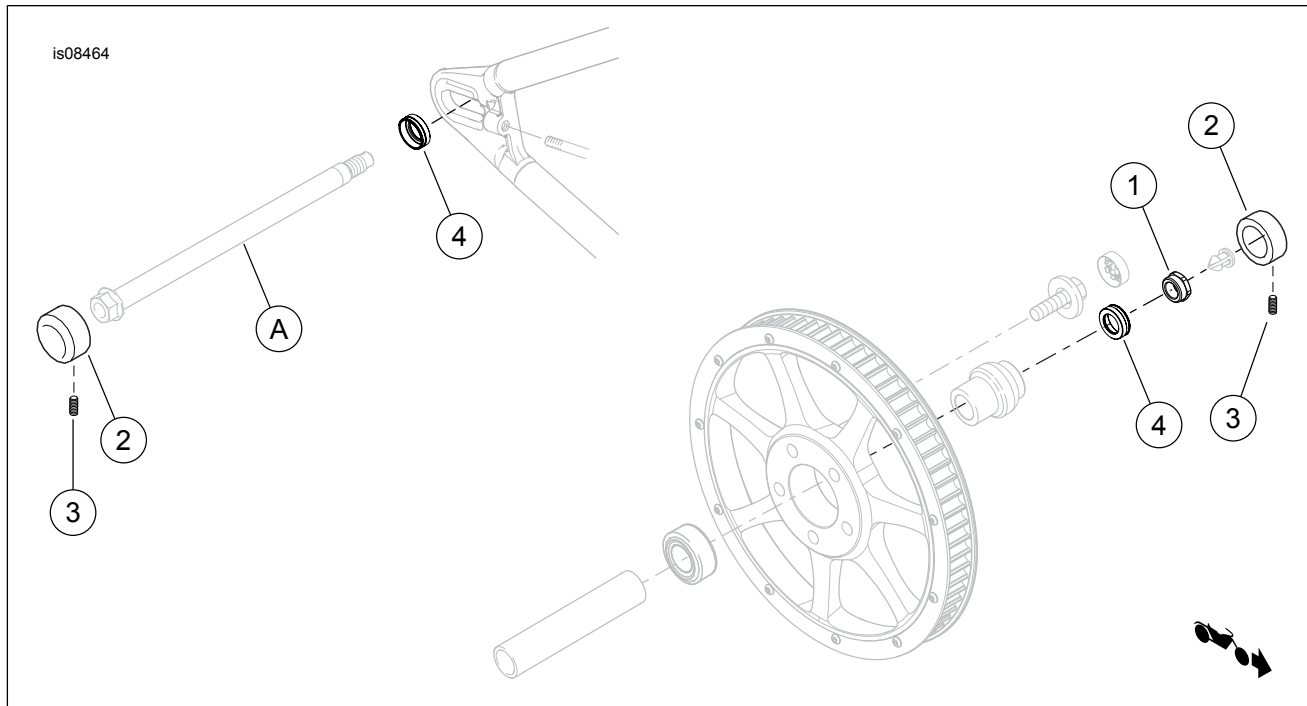


Figure 1. Service Parts: Rear Axle Nut Cover Kit

Table 1. Service Parts Table

Item	Description (Quantity)	Part Number
1	Axle nut	43000013
2	Axle nut cover, rear (2)	42025-09
3	Set screw (2)	4695
4	Washer, grooved (2)	47595-09
<b>Items mentioned in text, but not included in kit:</b>		
A	Rear axle	