



INSTRUCTIONS

-J03181

REV. 06-10-04

Kit Number 42700-05

CUSTOM BRAKE PEDAL PAD

General

This kit fits 1980 and later Touring models and 1986 and later FL Softail model motorcycles.

See the Service Parts Illustration below for a list of kit contents.

Installation

1. See Service Parts Illustration. Remove and discard the previously installed brake pedal cover from the foot brake lever.
2. Align the pad assembly over the foot brake pedal (3) as shown. Assemble the plain washer (4) and screw (5).
3. Thread the screw through the hole in the brake lever and into the back of the pad.

4. Tighten the screw to 10 ft-lbs (13.56 Nm).

WARNING

Whenever the motorcycle brake components are serviced, always test it on dry, clean pavement at slow speeds before putting the vehicle into regular service. Failure to test brakes may lead to an accident which could result in death or serious injury.



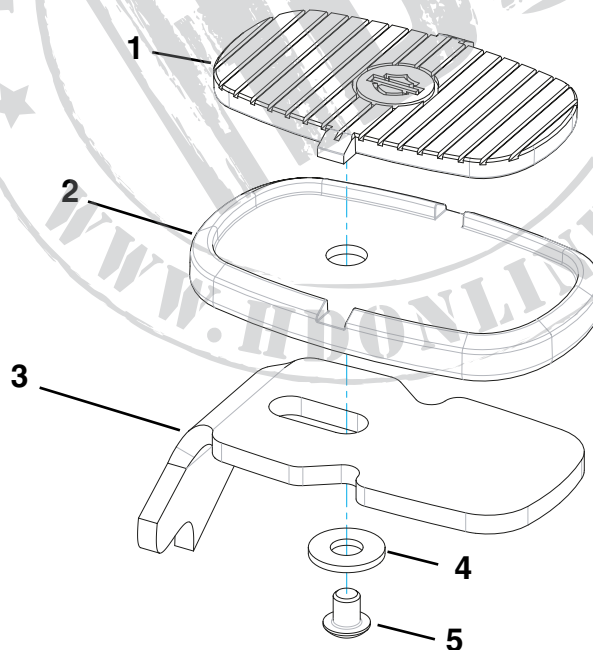
Service Parts

Part No. 42700-05

Date 06/04

Custom Brake Pedal Pad

i06473



| Item | Description | Part Number |
|------|----------------------|--------------------|
| 1 | Pad | 42414-05 |
| 2 | Pad housing | 42413-05 |
| 3 | Brake pedal | original equipment |
| 4 | Washer | 6333 |
| 5 | Button head capscrew | 3533 |