



# INSTRUCTIONS

-J04373

REV. 2011-01-28

## TRIBAL BRAKE PEDAL PAD KIT

### GENERAL

#### Kit Number

42560-09

#### Models

For model fitment information, see the P&A Retail Catalog or the Parts and Accessories section of [www.harley-davidson.com](http://www.harley-davidson.com) (English only).

#### Kit Contents

See Figure 1 and Table 1.

### INSTALLATION

#### NOTE

A service manual for your motorcycle is available at your Harley-Davidson Dealer.

1. Remove the previously installed brake pedal cover from the foot brake lever. Discard pedal cover.

#### NOTE

See Figure 1. Items 1, 2, and 3 are pre-assembled.

2. Align the pad assembly over the foot brake pedal as shown. Assemble the plain washer (4) and screw (5), and thread the screw through the hole in the brake lever and into the back of the pad.
3. Tighten the screw to 10 ft-lbs (13.5 Nm).

#### NOTE

Whenever the motorcycle brake components are serviced, always test it on dry, clean pavement at low speeds before putting the vehicle into regular service.

### SERVICE PARTS

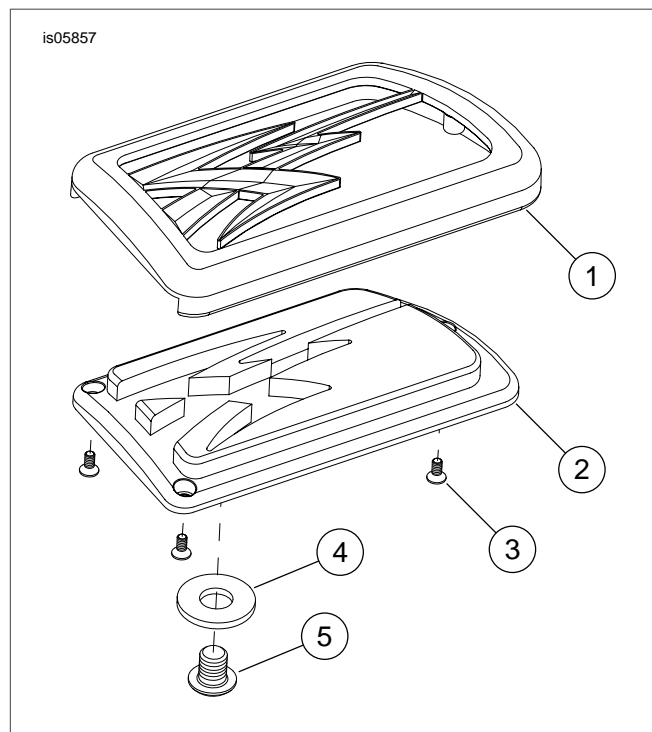


Figure 1. Service Parts: Tribal Brake Pedal Pad Kit

Table 1. Service Parts

Item	Description (Quantity)	Part Number
1	Cover, brake pedal pad	Not Sold Separately
2	Tread, brake pedal pad	Not Sold Separately
3	Screw, 4-40 x 1/4 inch (3)	4277
4	Washer	6333
5	Screw	3533

