



INSTRUCTIONS

-J04945

REV. 2010-01-01

FRONT 28-SPOKE WHEELS

GENERAL

Kit Number

42195-10, 55060-10

Models

For model fitment information, see the P&A Retail Catalog or the Parts and Accessories section of www.harley-davidson.com (English only).

Additional Parts Required

Accessory hub caps are not compatible with this wheel.

This kit includes the custom wheel only.

Proper installation of this kit requires the separate purchase of the following parts which are available at a Harley-Davidson dealer:

- Wheel Bearing Remover and Installer (HD-44060-A)
- A Wheel Installation Kit (see Service Parts Tables for part number)

WARNING

The rider's safety depends upon the correct installation of this kit. Use the appropriate service manual procedures. If the procedure is not within your capabilities or you do not have the correct tools, have a Harley-Davidson dealer perform the installation. Improper installation of this kit could result in death or serious injury. (00333a)

NOTE

This instruction sheet references service manual information. A service manual for your model motorcycle is required for this installation and is available from a Harley-Davidson Dealer.

Recommended Additional Parts

The following Harley-Davidson Genuine Motor Accessories are recommended for proper maintenance and cleaning:

- Harley® Bright™ Chrome Cleaner (94683-99)
- Harley® Glaze™ Polish and Sealant (99701-84)
- Harley® Wheel and Spoke Brush (43078-99)
- Harley-Davidson® Wheel and Tire Cleaner (94658-98)

Kit Contents

See Figure 1 and the Service Parts Tables.

INSTALLATION

1. Remove existing front wheel assembly. Save axle, axle nut, brake disc and wheel spacers for kit installation. Refer to the service manual.

CAUTION

Do not re-use brake disc/rotor screws. Re-using these screws can result in torque loss and damage to brake components. (00319c)

2. See Figure 1. Install valve stem assembly (D) on wheel. Refer to the service manual.
3. Install the primary bearing with a WHEEL BEARING REMOVER AND INSTALLER following the instruction in the service manual. The machined groove in the hub face indicates the primary bearing side.
4. Assemble wheel installation kit components and brake discs to wheel, using the appropriate service parts table. Refer to the service manual.
5. Install wheel spacers (previously removed).
6. Install front wheel (1) and stock axle. See the service manual.

MAINTENANCE AND CLEANING

Chrome parts must be maintained regularly so they keep their original shine and luster.

1. Clean heavily-soiled wheel surfaces using Harley-Davidson Wheel and Tire Cleaner, applied with Harley Wheel and Spoke Brush.
2. Thoroughly clean chrome with a good quality chrome cleaner, such as Harley Bright Chrome Cleaner.
3. After cleaning and polishing, seal the finish with a good quality sealer, such as Harley Glaze Polish and Sealant.

SERVICE PARTS

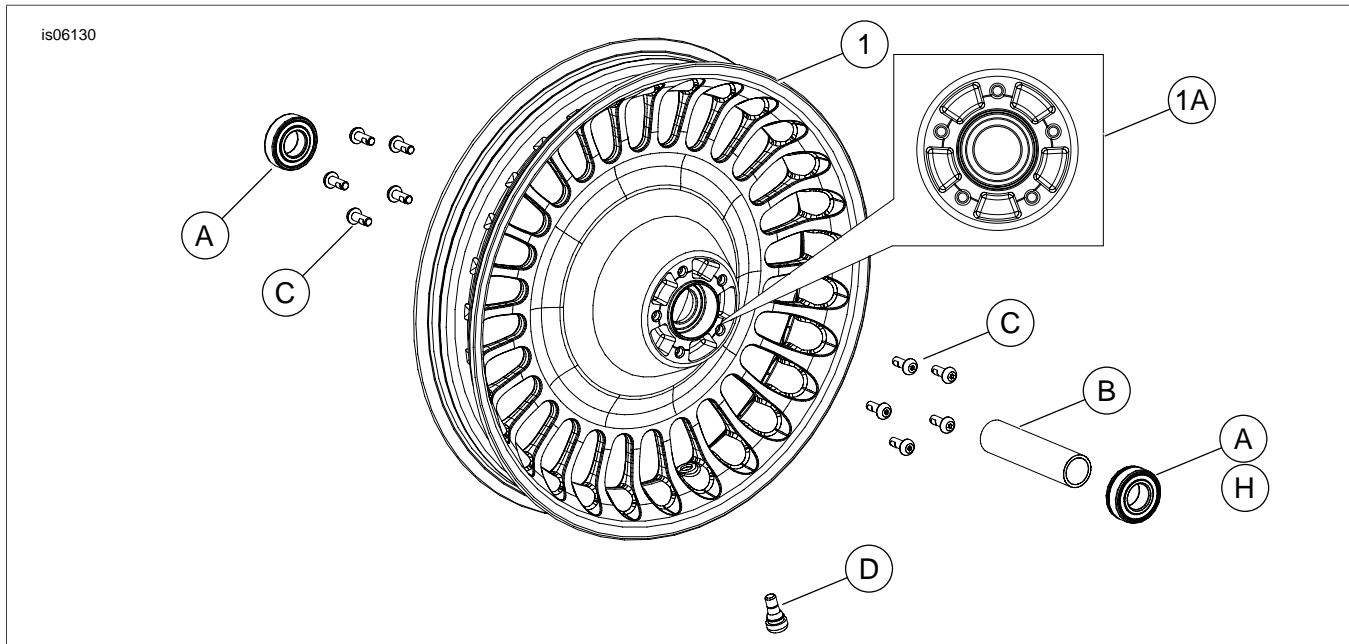


Figure 1. Service Parts: Front 28-Spoke Wheel (17 inch shown)

Table 1. Service Parts Table

Kit	Installation Kit	Item	Description (Quantity)	Part Number	
42195-10, 55060-10		1	Wheel	Not Sold Separately	
		1A	Machined groove	Not Sold Separately	
Items requiring separate purchase:					
2009 and later Touring (non-ABS - except FLHTCUTG and FLHXXX)	43851-08A Front 17x3 inch Fitment	A	Bearing (2)	9276	
		B	Sleeve, bearing spacer	41900-08	
		C	Screw (10)	3655A	
		E	Valve stem assembly	40999-87	
		NOTE: Discard the following components which are provided with this installation kit, but are not required for this fitment.			
			Sleeve, bearing spacer	41349-07	
			Shim, bearing	43315-07	
			Shim, bearing	43903-08	
			Valve stem assembly (short)	43157-83A	
			Valve stem assembly (long)	43206-01	
	Spacer, axle	41695-07			
	Spacer, axle	41504-07			



Table 1. Service Parts Table

Kit	Installation Kit	Item	Description (Quantity)	Part Number		
2009 and later Touring (ABS - except FLHTCUTG and FLHXXX)	41454-08A Front 17x3 inch Fitment	A	Bearing	9276		
		B	Sleeve, bearing spacer	41900-08		
		C	Screw (10)	3655A		
		E	Valve stem assembly	40999-87		
		H	Bearing, ABS (red side must face inward)	9252		
		NOTE: Discard the following components which are provided with this installation kit, but are not required for this fitment.				
		Sleeve, bearing spacer			41748-08	
		Shim, bearing			43903-08	
		Shim, bearing			41450-08	
		Valve stem assembly (short)			43157-83A	
		Valve stem assembly (long)			43206-01	
		Screw, TORX® (10)			3762M	
		Washer (10)			6966M	

