



INSTRUCTIONS

-J04293

REV. 2007-05-17

CHROME FRONT BRAKE MASTER CYLINDER COVER KIT

GENERAL

Kit Number

42123-08

Models

For model fitment information, please see the P&A Retail Catalog or the Parts and Accessories section of www.harley-davidson.com (English only).

Kit Contents

See Figure 1 and Table 1.

INSTALLATION

Rest the motorcycle on the jiffy stand, with the front wheel turned toward the right fork stop so that the master cylinder is in a level position.

CAUTION

Direct contact of D.O.T. 4 brake fluid with eyes can cause irritation. Avoid eye contact. In case of eye contact flush with large amounts of water and get medical attention. Swallowing large amounts of D.O.T. 4 brake fluid can cause digestive discomfort. If swallowed, obtain medical attention. Use in well ventilated area. **KEEP OUT OF REACH OF CHILDREN. (00240a)**

CAUTION

D.O.T. 4 brake fluid will damage painted and body panel surfaces it comes in contact with. Always use caution and protect surfaces from spills whenever brake work is performed. Failure to comply can result in cosmetic damage. **(00239b)**

IMPORTANT NOTE: Immediately wipe up any brake fluid spillage with a clean, dry, soft cloth. Follow up by thoroughly wiping affected area with a clean, damp, soft cloth (small spills) or washing with a large quantity of soapy water (large spills).

Cover nearby motorcycle surfaces with a polyethylene protective sheet to help protect against damage to finish caused by spillage or splash of D.O.T. 4 brake fluid.

1. Clean the front brake master cylinder cover and the surrounding area. Remove and discard the original cover, gasket and screws.

CAUTION

Direct contact of D.O.T. 4 brake fluid with eyes can cause irritation. Avoid eye contact. In case of eye contact flush with large amounts of water and get medical attention. Swallowing large amounts of D.O.T. 4 brake fluid can cause digestive discomfort. If swallowed, obtain medical attention. Use in well ventilated area. **KEEP OUT OF REACH OF CHILDREN. (00240a)**

NOTE

The brake system on this vehicle uses D.O.T. 4 BRAKE FLUID. Do not mix grades of brake fluid as they are not compatible. Mixing different types of fluid may adversely affect braking ability and lead to brake failure which could result in death or serious injury.

2. If necessary, add D.O.T. 4 HYDRAULIC BRAKE FLUID to the master cylinder reservoir until the fluid level reaches the MAX marking inside the reservoir. Do not reuse old brake fluid. Use only D.O.T. 4 fluid from a sealed container.

WARNING

Be sure the master cylinder relief port is not plugged. A plugged relief port can cause brake drag or lockup and loss of vehicle control, which could result in death or serious injury. **(00317a)**

3. Verify proper operation of the master cylinder relief port. Actuate the brake hand lever. A slight spurt of fluid will break the fluid surface in the reservoir compartment if all internal components are working properly.

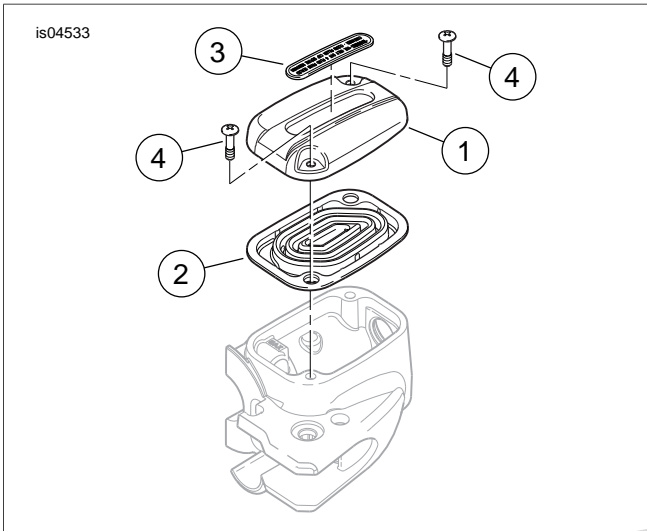
NOTE

Before installing the master cylinder cover, verify that the cover gasket bellows is not expanded. If bellows is expanded, brake fluid will be ejected from the reservoir during cover installation, which could damage the vehicle finish.

4. Note that the shape of the master cylinder cover makes one end thinner than the other. See Figure 1. Install the cover (with gasket compressed) on the master cylinder reservoir so that the thinner end is positioned above the brake line fitting. Fasten the cover and gasket to the reservoir with the two captive Phillips-head screws. Tighten the screws to 7-11 in-lbs (0.8-1.2 Nm).

SERVICE PARTS

Table 1. Service Parts



Item	Description (Quantity)	Part Number
1	Cover, front brake master cylinder (chrome, includes two of Item 4)	Not sold separately
2	Gasket, master cylinder cover	42857-06A
3	Decal, D.O.T. 4 brake fluid (chrome)	42856-06
4	Screw, master cylinder cover, bright finish (2)	42882-06

Figure 1. Service Parts, Chrome Master Cylinder Cover Kit

