



INSTRUCTIONS

-J03532

REV. 2005-08-04

MASTER CYLINDER COVER KIT

GENERAL

Kit Numbers

42114-06 and 42119-06

Models

These kits fit 2006 and later VRSCR model motorcycles.

Kit Contents

See Figure 1 and Table 1.

INSTALLATION

CAUTION

Do NOT allow dirt or debris to enter the master cylinder reservoir. Dirt or debris in the reservoir can cause improper operation and equipment damage. (00205b)

1. Starting with either the clutch or front brake, clean master cylinder cover.
2. Remove two screws holding cover in place.
3. Replace the original cover and gasket with the new cover, and gasket.

NOTE

The cover is labeled for D.O.T. 4 silicone brake fluid. Install this cover on reservoirs filled only with D.O.T. 4 silicone brake fluid. Do not mix grades of brake fluid, as they are not compatible and could cause equipment damage.

4. Install the polished stainless steel cover screws (1) and tighten screws to 0.7-0.9 Nm (6-8 in-lbs).
5. Repeat procedure for the other master cylinder.

SERVICE PARTS

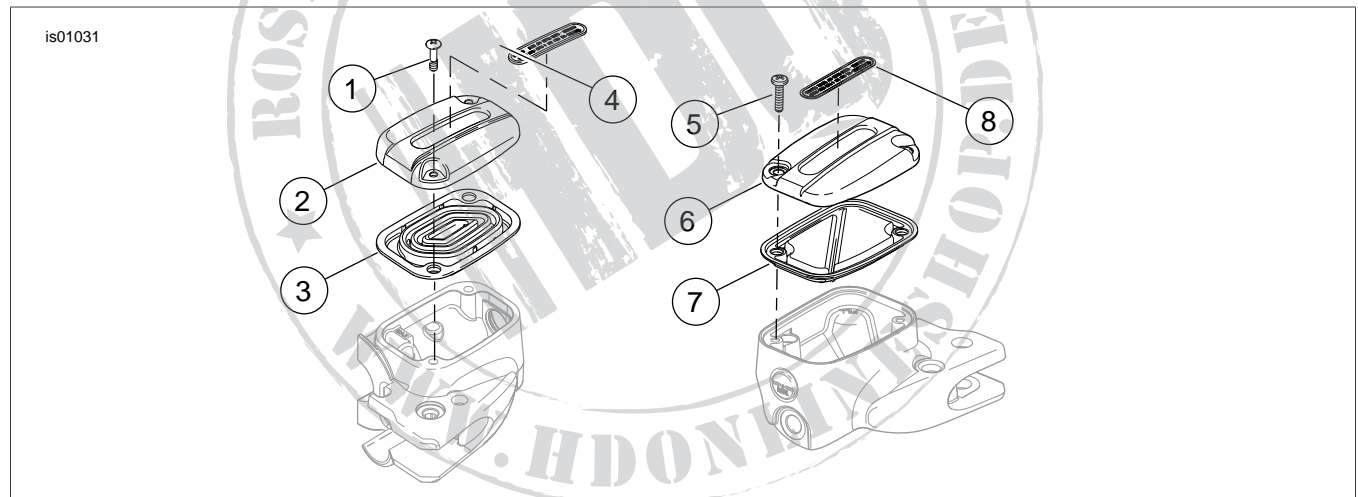


Figure 1. Service Parts for Master Cylinder Cover Kits

Table 1. Service Parts Table

Item	Description (Quantity)	Part Number	Item	Description (Quantity)	Part Number
1	Screw, brake (2)	42882-06	5	Screws, clutch (2)	42882-06
2	Cover, master cylinder, brake	Not Sold Separately	6	Cover, master cylinder, clutch	Not Sold Separately
3	Gasket, master cylinder, brake	42857-06	7	Gasket, master cylinder, clutch	46322-06
4	Decal, master cylinder, brake	42856-06	8	Decal, master cylinder, clutch	42875-06