



INSTRUCTIONS

-J04356

2007-04-03

CHROME REAR CALIPER BRACKET KIT

GENERAL

Kit Number

42048-08

Models

For model fitment information, please see the P&A Retail Catalog or the Parts and Accessories section of www.harley-davidson.com (English only).

Additional Parts Required

▲ WARNING

The rider's safety depends upon the correct installation of this kit. Use the appropriate service manual procedures. If the procedure is not within your capabilities or you do not have the correct tools, have a Harley-Davidson dealer perform the installation. Improper installation of this kit could result in death or serious injury. (00333a)

SERVICE PARTS

NOTE

This instruction sheet references Service Manual information. A Service Manual for your model motorcycle is required for this installation and is available from a Harley-Davidson Dealer.

Kit Contents

See Figure 1 and Table 1 for kit contents.

REMOVAL

Refer to the instructions in the Service Manual for proper removal of the rear stock caliper bracket.

INSTALLATION

See Figure 1 and Table 1.

To install the chrome rear caliper bracket, follow the instructions for installing the rear stock caliper bracket in the Service Manual.

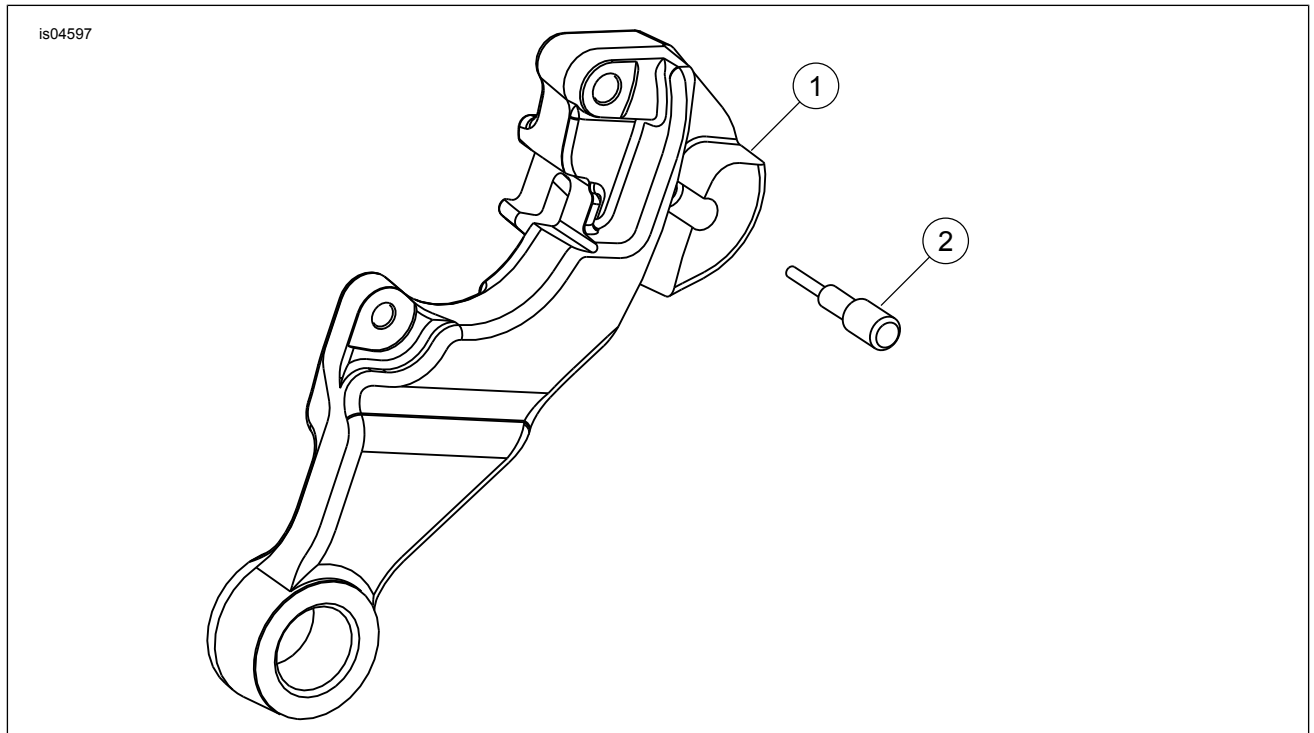


Figure 1. Service Parts: Rear Chrome Caliper Bracket Kit

Table 1. Service Parts: Chrome Rear Caliper Bracket Kit

Item		Part Number
1	Bracket, caliper, rear chrome	Not Sold Separately
2	Bumper, rubber	44351-00