



INSTRUCTIONS

-J04360

REV. 2007-04-05

REAR BRAKE CALIPER KIT

GENERAL

Kit Number

42047-08

Models

For model fitment information, please see the P&A Retail Catalog or the Parts and Accessories section of www.harley-davidson.com (English only).

Additional Parts Required

WARNING

The rider's safety depends upon the correct installation of this kit. Use the appropriate service manual procedures. If the procedure is not within your capabilities or you do not have the correct tools, have a Harley-Davidson dealer perform the installation. Improper installation of this kit could result in death or serious injury. (00333a)

NOTE

This instruction sheet references Service Manual information. A Service Manual for your model motorcycle is required for this installation and is available from a Harley-Davidson Dealer.

Brake pad and pad pins are not included with this kit. If it is necessary to replace worn or damaged parts, kits which include these parts are available for purchase separately from a Harley Davidson dealer.

Kit Contents

See Figure 1 and Table 1.

REMOVAL

WARNING

To prevent accidental vehicle start-up, which could cause death or serious injury, disconnect negative (-) battery cable before proceeding. (00048a)

1. Refer to an appropriate Service Manual to disconnect the battery cables, negative (-) cable first.
2. Refer to an appropriate Service Manual to remove the rear brake caliper and brake pads.
3. Refer to an appropriate Service Manual to inspect the brake pad and pad pins. Replace worn or damaged parts as necessary.

INSTALLATION

1. Refer to an appropriate Service Manual to install the rear brake caliper.
2. Refer to an appropriate Service Manual to bleed the brakes.

WARNING

Connect positive (+) battery cable first. If positive (+) cable should contact ground with negative (-) cable connected, the resulting sparks can cause a battery explosion, which could result in death or serious injury. (00068a)

3. Refer to an appropriate Service Manual to connect the battery cables, positive (+) cable first.
4. Refer to an appropriate Service Manual to test the brakes.

SERVICE PARTS

is04585

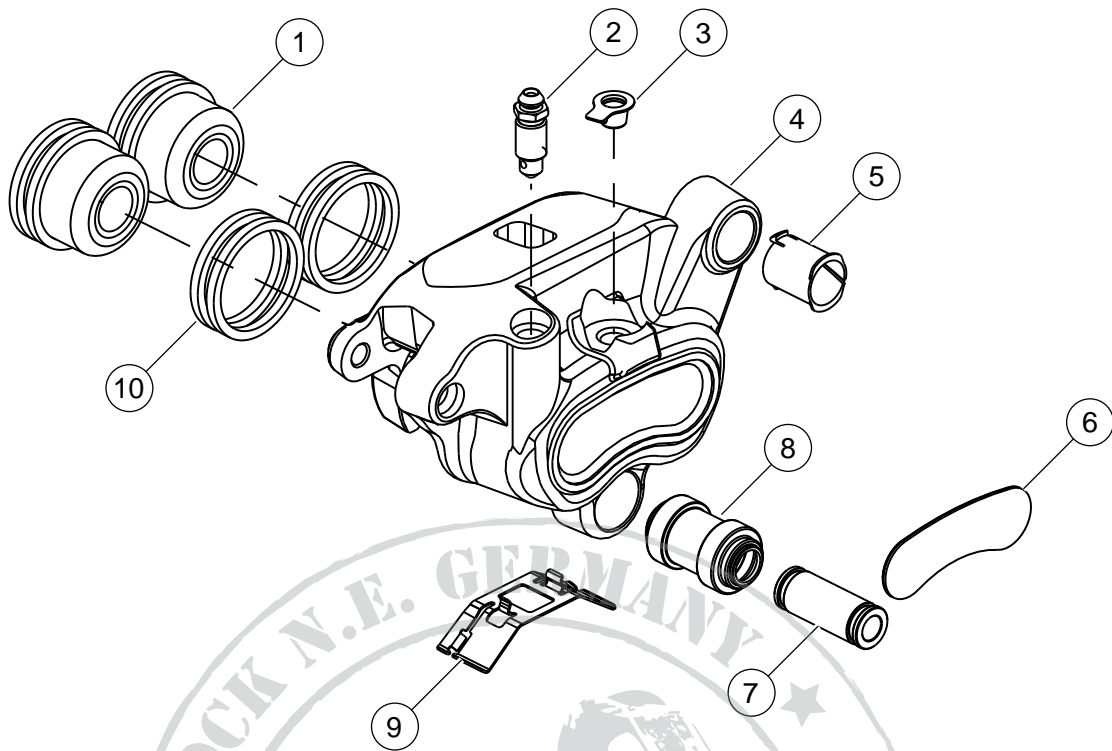


Figure 1. Service Parts: Rear Caliper Assembly

Table 1. Service Parts Table: Rear Chrome Brake Caliper Kit

Item	Description (Quantity)	Part Number
1	Piston kit, includes (2) rear caliper pistons	42344-08
2	Screw, bleeder	44400-00
3	Cap and plug, tapered	44147-87A
4	Body	Not Sold Separately
5	Bushing	Not Sold Separately
6	Decal	44338-00
7	Boot, dust	Not Sold Separately
8	Bushing	Not Sold Separately
9	Spring kit	42347-08
10	Seal kit, includes (2) piston rear caliper seals	42346-08

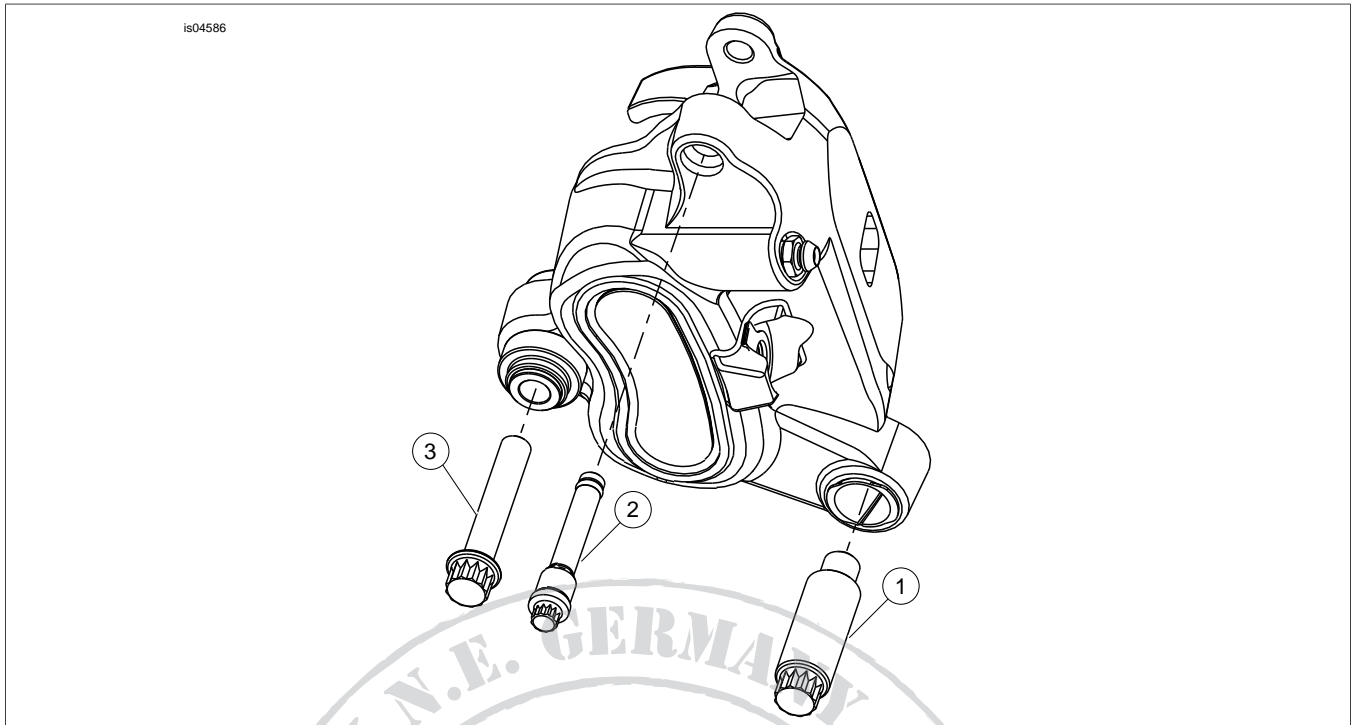


Figure 2. Service Parts: Chrome Brake Caliper Kit Mounting Hardware

Table 2. Service Parts Table: Rear Chrome Brake Caliper Kit

Item	Description (Quantity)	Part Number
1	Pin, slider	44183-08
2	Pin assembly, brake pad	44188-08
3	Pin, slider	44186-08