



INSTRUCTIONS

-J04062

REV. 2008-10-29

REAR NINE-SPOKE WHEELS

GENERAL

Kit Number

40789-08, 41883-07, 41889-07, 41889-09

Models

For model fitment information, see the P&A Retail Catalog or the Parts and Accessories section of www.harley-davidson.com (English only).

Additional Parts Required

These kits include the custom wheel only.

Proper installation of these kits require the separate purchase of the following parts which are available at a Harley-Davidson dealer.

- Wheel Bearing Remover and Installer (HD-44060-A)
- Wheel Installation Kit (See tables for part number)

The following Harley-Davidson Genuine Motor Accessories are recommended for proper maintenance and cleaning:

- Harley® Bright™ Chrome Cleaner (94683-99)
- Harley® Glaze™ Polish and Sealant (99701-84)
- Harley® Wheel and Spoke Brush (43078-99)
- Harley-Davidson® Wheel and Tire Cleaner (94658-98)

WARNING

The rider's safety depends upon the correct installation of this kit. Use the appropriate service manual procedures. If the procedure is not within your capabilities or you do not have the correct tools, have a Harley-Davidson dealer perform the installation. Improper installation of this kit could result in death or serious injury. (00333a)

NOTE

This instruction sheet references service manual information. A service manual for your model motorcycle is required for this installation and is available from a Harley-Davidson dealer.

Kit Contents

See Figure 1 and Service Parts Tables.

INSTALLATION

1. Remove existing rear wheel assembly. Save axle, axle nut, brake disc and wheel spacers for kit installation. Refer to the service manual.

NOTES

Prior to removing or installing the wheel, the rear brake caliper must be removed. See the service manual.

The cotter pin or spring clip for the axle nut must be replaced. They are available for purchase from you dealer. See your dealer for the correct part number for your model motorcycle.

CAUTION

Do not re-use brake disc screws. Re-using disc screws can result in torque loss and damage to rotor and/or brake assembly. (00319b)

CAUTION

Do not re-use sprocket mounting screws. Re-using sprocket mounting screws can result in torque loss and damage to the sprocket and/or belt assembly. (00480b)

2. See Figure 1. Install valve stem assembly (E) on wheel. Refer to the service manual.
3. Assemble wheel installation kit components, stock brake disc, and sprocket to wheel using the appropriate service parts table. Refer to the service manual.

NOTES

Install the primary bearing first using appropriate service manual and WHEEL BEARING REMOVER/INSTALLER.

The machined grooves in the hub face indicate the primary bearing side.

4. Install rear wheel (1), stock axle, and stock spacers to motorcycle. Refer to the service manual.

MAINTENANCE AND CLEANING

NOTE

This wheel assembly includes plugs that have been installed in the openings between the brake disc mounting holes on one side of the wheel. Missing or damaged plugs can be replaced using the Wheel Plug Kit 41966-07.

Chrome parts must be maintained regularly so they keep their original shine and luster.

1. Clean heavily-soiled wheel surfaces using Harley-Davidson Wheel and Tire Cleaner, applied with Harley Wheel and Spoke Brush.
2. Thoroughly clean chrome with a good quality chrome cleaner, such as Harley Bright Chrome Cleaner.
3. After cleaning and polishing, seal the finish with a good quality sealer, such as Harley Glaze Polish and Sealant.

SERVICE PARTS

is04529

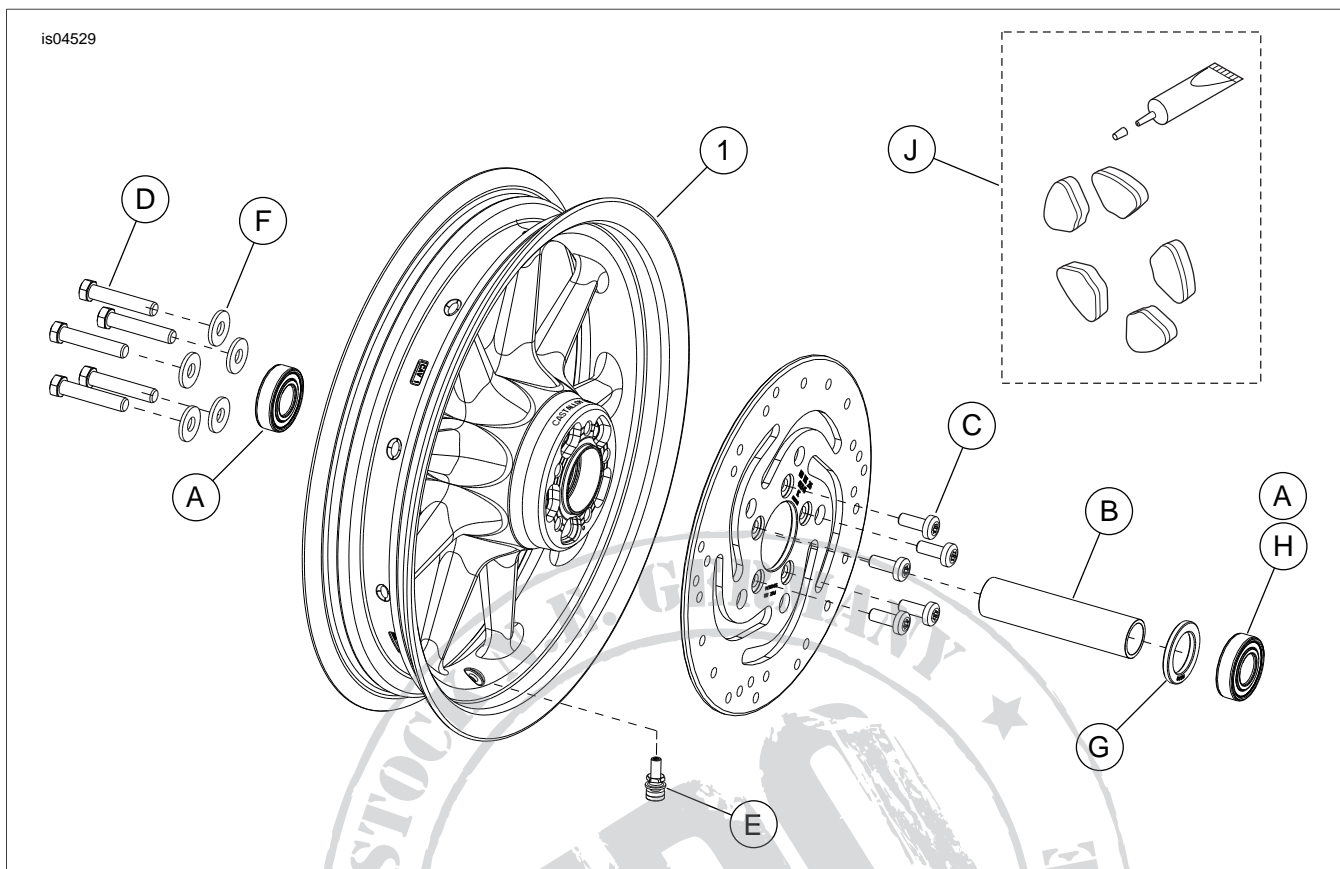


Figure 1. Service Parts: Rear Nine-Spoke Wheels (16 Inch Shown)

Table 1. Service Parts Table

| Kit | Installation Kit | Item | Description (Quantity) | Part Number |
|---|----------------------------------|--|--|---------------------|
| 41883-07 | | 1 | Wheel | Not Sold Separately |
| | | J | Plug Service Kit | 41966-07 |
| 2003-2007 FLST, FLSTN and FLSTC; 2003-2006 FLSTF (except FLSTFSE2); 2003-2005 FXST, FXSTB and FXSTS | 43854-08 16x3 inch rear wheel | A | Bearing (2) | 9267 |
| | | B | Sleeve, bearing spacer | 43608-00 |
| | | C | Disc screw (5) | 43567-92 |
| | | D | Sprocket screw (5) (2006 and earlier models) | 3737A |
| | | | Sprocket screw (5) (2007 models) | 3109 |
| | | E | Valve stem assembly (long) | 43206-01 |
| | | F | Washer (5) (2006 and earlier models) | 6516HW |
| | | NOTE: Discard the following components which are provided with this installation kit, but are not required for this fitment. | | |
| | | | Sleeve, bearing spacer | 43618-06 |
| | | | Sleeve, bearing spacer | 43618-07 |
| | | | Sprocket screw (5) | 3899 |
| | | | Valve stem assembly (short) | 43157-83A |

Table 2. Service Parts Table

| Kit | Installation Kit | Item | Description (Quantity) | Part Number | | |
|--|--|--|--|---------------------|------------------------|----------|
| 41889-07 | | 1 | Wheel | Not Sold Separately | | |
| | | J | Plug Service Kit | 41966-07 | | |
| 2000-2005 Dyna; 2000-2004 XL; 2000-2002 Softail (except FXSTD); 2000-2001 FLT | 43854-08 16x3 inch rear wheel | A | Bearing (2) | 9267 | | |
| | | B | Sleeve, bearing spacer | 43608-00 | | |
| | | C | Disc screw (5) | 43567-92 | | |
| | | D | Sprocket screw (5) (Dyna and Softail models) | 3737A | | |
| | | | Sprocket screw (5) (XL and FLT models) | 3899 | | |
| | | E | Valve stem assembly (short) | 43157-83A | | |
| | | F | Washer (5) | 6516HW | | |
| | | NOTE: Discard the following components which are provided with this installation kit, but are not required for this fitment. | | | | |
| | | Sleeve, bearing spacer | | | 43618-06 | |
| | | Sleeve, bearing spacer | | | 43618-07 | |
| | | Sprocket screw (5) | | | 3109 | |
| | | Valve stem assembly (long) | | | 43206-01 | |
| | | 2002-2007 Touring; 2005-2007 XL | 43861-08 16x3 inch rear wheel | A | Bearing (2) | 9247 |
| | | | | B | Sleeve, bearing spacer | 43517-00 |
| C | Disc screw (5) | | | 43567-92 | | |
| D | Sprocket screw (5) (2004-2006 FLT models) | | | 3737A | | |
| | Sprocket screw (5) (2007 FLT models) | | | 3109 | | |
| | Sprocket screw (5) (XL and 2000-2003 FLT models) | | | 3899 | | |
| E | Valve stem assembly (short) | | | 43157-83A | | |
| F | Washer (5) (XL and 2006 and earlier FLT models) | | | 6516HW | | |
| NOTE: Discard the following components which are provided with this installation kit, but are not required for this fitment. | | | | | | |
| Sleeve, bearing spacer | | | | 43704-01 | | |
| Sprocket bolt (5) | | | | 3873 | | |
| Sprocket bolt (5) | | | | 40439-01 | | |
| Sprocket washer (5) | | | | 7039 | | |
| TORX® bolt (5) | | | | 4552 | | |
| Valve stem assembly (long) | | | 43206-01 | | | |

Table 2. Service Parts Table

| Kit | Installation Kit | Item | Description (Quantity) | Part Number | | |
|--|---|--|---|-------------|------------------------|----------|
| 2008 Touring (Non-ABS); 2008 and later XL | 43878-08 16x3 inch rear wheel | A | Bearing (2) | 9276 | | |
| | | B | Sleeve, bearing spacer | 41900-08 | | |
| | | C | Disc screw (5) | 43567-92 | | |
| | | D | Sprocket screw (5) (Touring models) | 3814 | | |
| | | | Sprocket screw (5) (XL models) | 3899 | | |
| | | E | Valve stem assembly (short) | 43157-83A | | |
| | | F | Washer (5) (XL models) | 6516HW | | |
| | | G | Shim, bearing (install under primary bearing) | 43904-08 | | |
| | | NOTE: Discard the following components which are provided with this installation kit, but are not required for this fitment. | | | | |
| | | Sleeve, bearing spacer | | | 41696-08 | |
| | | Sprocket screw (5) | | | 3109 | |
| | | Valve stem assembly (long) | | | 43206-01 | |
| | | 2008 Touring (ABS) | 41453-08A 16x3 inch rear wheel | A | Bearing | 9276 |
| | | | | B | Sleeve, bearing spacer | 41900-08 |
| C | Disc screw (5) | | | 43567-92 | | |
| D | Sprocket screw (5) | | | 3814 | | |
| E | Valve stem assembly (short) | | | 43157-83A | | |
| G | Shim, bearing (install under primary bearing) | | | 43904-08 | | |
| H | Bearing, ABS (red side must face inward) | | | 9252 | | |
| NOTE: Discard the following components which are provided with this installation kit, but are not required for this fitment. | | | | | | |
| Shim, bearing | | | | 41447-08 | | |
| Sleeve, bearing spacer | | | | 43704-08 | | |
| Sleeve, bearing spacer | | | | 41349-07 | | |
| TORX bolt (5) | | | | 4552 | | |
| Valve stem assembly (long) | | | | 43206-01 | | |
| Washer (5) | | | | 7039 | | |

Table 3. Service Parts Table

| Kit | Installation Kit | Item | Description (Quantity) | Part Number |
|----------|------------------|------|------------------------|---------------------|
| 40789-08 | | 1 | Wheel | Not Sold Separately |
| | | J | Plug Service Kit | 41966-07 |

Table 3. Service Parts Table

| Kit | Installation Kit | Item | Description (Quantity) | Part Number | |
|----------------------|--|-----------------------------|----------------------------|-------------|--|
| 2008 FLSTN and FLSTC | 43878-08 16x3 inch rear wheel | A | Bearing (2) | 9276 | |
| | | B | Sleeve, bearing spacer | 41696-08 | |
| | | C | Disc screw (5) | 43567-92 | |
| | | D | Sprocket screw (5) | 3109 | |
| | | E | Valve stem assembly (long) | 43206-01 | |
| | NOTE: Discard the following components which are provided with this installation kit, but are not required for this fitment. | | | | |
| | | Shim, bearing | 43904-08 | | |
| | | Sleeve, bearing spacer | 41900-08 | | |
| | | Sprocket screw (5) | 3814 | | |
| | | Sprocket screw (5) | 3899 | | |
| | | Valve stem assembly (short) | 43157-83A | | |
| | | Washer (5) | 6516HW | | |

Table 4. Service Parts Table

| Kit | Installation Kit | Item | Description (Quantity) | Part Number | |
|----------------------------------|--|------------------------|-----------------------------|---------------------|--|
| 41889-09 | | 1 | Wheel | Not Sold Separately | |
| | | J | Plug Service Kit | 41966-07 | |
| 2009 and later Touring (Non-ABS) | 41456-08A 16x5 inch rear wheel | A | Bearing (2) | 9276 | |
| | | B | Sleeve, bearing spacer | 41349-07 | |
| | | C | Disc screw (5) | 43567-92 | |
| | | E | Valve stem assembly (short) | 43157-83A | |
| | NOTE: Discard the following components which are provided with this installation kit, but are not required for this fitment. | | | | |
| | | Shim, bearing | 41447-08 | | |
| | | Sleeve, bearing spacer | 41358-08 | | |
| | | Sleeve, bearing spacer | 43704-08 | | |
| | | Sprocket screw (5) | 3109 | | |
| | | TORX® bolt (5) | 4552 | | |
| | Washer | 7039 | | | |
| | Valve stem assembly (long) | 43206-01 | | | |

Table 4. Service Parts Table

| Kit | Installation Kit | Item | Description (Quantity) | Part Number | |
|------------------------------|--|------|--|-------------|-----------|
| 2009 and later Touring (ABS) | 41453-08A 16x5 inch rear wheel | A | Bearing | 9276 | |
| | | B | Sleeve, bearing spacer | 41349-07 | |
| | | C | Disc screw (5) | 43567-92 | |
| | | E | Valve stem assembly (long) | 43206-01 | |
| | | H | Bearing, ABS (red side must face inward) | 9252 | |
| | NOTE: Discard the following components which are provided with this installation kit, but are not required for this fitment. | | | | |
| | | | Shim, bearing | | 41447-08 |
| | | | Shim, bearing | | 43904-08 |
| | | | Sleeve, bearing spacer | | 43704-08 |
| | | | Sleeve, bearing spacer | | 41900-08 |
| | | | Sprocket screw (5) | | 7039 |
| | | | Sprocket screw (5) | | 3814 |
| | | | TORX® bolt (5) | | 4552 |
| | | | Valve stem assembly (short) | | 43157-83A |

