



INSTRUCTIONS

-J02455

REV. 2007-10-25

FL SOFTAIL REAR BRAKE LEVERS

GENERAL

Kit Number

42640-03, buckshot, billet lever.

42677-05, grooved and drilled, billet lever.

41800-08, black billet lever.

Models

For model fitment information, please see the P&A Retail Catalog or the Parts and Accessories section of www.harley-davidson.com (English only).

Additional Parts Required

Proper installation of this kit also requires installing a brake pedal pad, sold separately. Refer to the appropriate Parts and Accessories Catalog for a stock replacement rubber pad.

Loctite® 243 Threadlocker and Sealant (blue) P/N 99642-97

WARNING

The rider's safety depends upon the correct installation of this kit. Use the appropriate service manual procedures. If the procedure is not within your capabilities or you do not have the correct tools, have a Harley-Davidson dealer perform the installation. Improper installation of this kit could result in death or serious injury. (00333a)

NOTE

This instruction sheet references Service Manual information. A Service Manual for your model motorcycle is required for this installation and is available from a Harley-Davidson Dealer.

Kit Contents

See Figure 1 and Table 1.

REMOVAL

1. See Figure 1. Remove the cotter pin (5) and washer (E) from the master cylinder clevis pin (B). Discard the cotter pin.

NOTE

The clevis pin has a slight interference fit. It may be necessary to use pliers to pull the clevis pin from the push rod. Be careful not to damage mating parts.

2. Remove the clevis pin (B) from the brake rod. Thoroughly clean and examine parts for wear. Replace if necessary.
3. Remove the brake lever mounting screw (A) and flat washer (D), and save for reinstallation, if necessary. Remove and discard the outer O-ring (2).
4. Remove the brake lever by rotating counter-clockwise and lifting the master-cylinder clevis if necessary. Pull the lever from the shaft. Remove and discard the inner O-ring.
5. Thoroughly clean the lever mounting shaft of grease and dirt.

INSTALLATION

NOTE

These levers are equipped with self-lubricating bushings. It is not necessary to lubricate the mounting shaft or bushings inside the lever prior to installation.

1. See Figure 1. Insert the new O-rings (4) on either side of the lever bushings (2). Install the new brake lever (1) onto the mounting shaft.

NOTE

There is insufficient clearance to install the clevis pin from the outside, so it must be installed from the inboard side of the brake lever.

2. Align the holes in the lever and brake rod and insert the stock clevis pin (B) from the inboard side.
3. Install the small flat washer (E) onto the clevis pin and insert the new cotter pin (5).
4. Place the large flat washer (D) onto the brake lever mounting screw (A). Apply Loctite 243 (blue) to the threads of the screw, and reinstall into the brake lever mounting shaft. Tighten the screw to 12-16 ft-lbs (16.3-21.7 Nm).
5. Install the brake pedal pad (C) to the brake lever.

WARNING

After repairing the brake system, test brakes at low speed. If brakes are not operating properly, testing at high speeds can cause loss of control, which could result in death or serious injury. (00289a)

6. Check the brake lever for proper operation and clearance through its full travel.

SERVICE PARTS

is05167

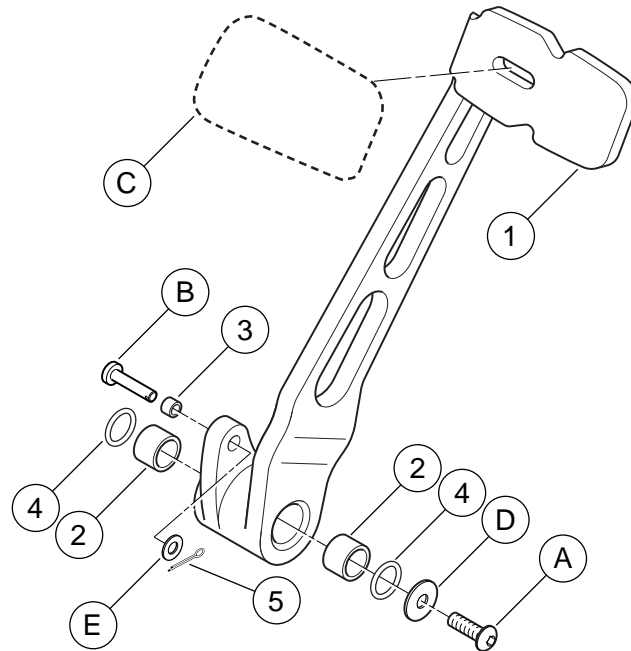


Figure 1. Service Parts: Rear Brake Levers

Table 1. Service Parts Table

Kit	Item	Description (Quantity)	Part Number
Kit 42640-03	1	Brake lever assembly, includes items 2 and 3	Not Sold Separately
	2	• Bushing (2) 0.719 O.D.	57217-02
	3	• Bushing, split, 0.25 I.D.	42644-00
	4	O-ring (2)	11364
	5	Cotter pin	515
Kit 42677-05	1	Brake lever assembly, includes items 2 and 3	Not Sold Separately
	2	• Bushing, (2) 0.719 O.D.	57217-02
	3	• Bushing, split, 0.25 I.D.	42644-00
	4	O-ring (2)	11634
	5	Cotter pin	515
	6	Bushing (2), (not shown)	42642-00
Kit 41800-08	1	Brake lever assembly, includes bushings	Not Sold Separately
	2	• Bushing, (2) 0.719 O.D.	57217-02
	3	• Bushing, split, 0.25 I.D.	42644-00
	4	O-ring (2)	11634
	5	Cotter pin	515
Items mentioned in text, but not included in kit:			
A	Screw		
B	Clevis pin		
C	Brake pedal pad, must be installed. Purchased separately		
D	Plain washer, type A		
E	Washer		
Some kits may require the use of original equipment hardware.			