



# INSTRUCTIONS

-J04293

2015-03-27

## FRONT BRAKE MASTER CYLINDER COVER KIT

### GENERAL

#### Kit Number

42123-08, 41700297, 41700334, 41700338

#### Models

For model fitment information, see the P&A Retail Catalog or the Parts and Accessories section of [www.harley-davidson.com](http://www.harley-davidson.com) (English only).

#### Kit Contents

See Figure 1 and Table 1.

### INSTALLATION

Rest motorcycle on jiffy stand, with front wheel turned toward the right fork stop and master cylinder in a level position.

#### ⚠ CAUTION

Direct contact of D.O.T. 4 brake fluid with eyes can cause irritation. Avoid eye contact. In case of eye contact flush with large amounts of water and get medical attention. Swallowing large amounts of D.O.T. 4 brake fluid can cause digestive discomfort. If swallowed, obtain medical attention. Use in well ventilated area. **KEEP OUT OF REACH OF CHILDREN. (00240a)**

#### NOTICE

D.O.T. 4 brake fluid will damage painted and body panel surfaces it comes in contact with. Always use caution and protect surfaces from spills whenever brake work is performed. Failure to comply can result in cosmetic damage. (00239b)

Cover nearby motorcycle surfaces with a polyethylene protective sheet to help protect against damage to finish caused by spillage of DOT 4 brake fluid.

If DOT 4 brake fluid contacts painted surfaces, IMMEDIATELY flush area with clear water.

#### NOTE

*The brake system on this vehicle uses DOT 4 BRAKE FLUID. Do not mix grades of brake fluid as they are not compatible. Mixing different types of fluid may adversely affect braking ability and lead to brake failure which could result in death or serious injury.*

1. Clean the front brake master cylinder cover and the surrounding area. Remove and discard the original cover, gasket and screws.

#### ⚠ CAUTION

Direct contact of D.O.T. 4 brake fluid with eyes can cause irritation. Avoid eye contact. In case of eye contact flush with large amounts of water and get medical attention. Swallowing large amounts of D.O.T. 4 brake fluid can cause digestive discomfort. If swallowed, obtain medical attention. Use in well ventilated area. **KEEP OUT OF REACH OF CHILDREN. (00240a)**

2. Fill reservoir with DOT 4 brake fluid. Do not reuse old brake fluid. Use only DOT 4 fluid from a sealed container.

#### ⚠ WARNING

Be sure the master cylinder relief port is not plugged. A plugged relief port can cause brake drag or lockup and loss of vehicle control, which could result in death or serious injury. (00317a)

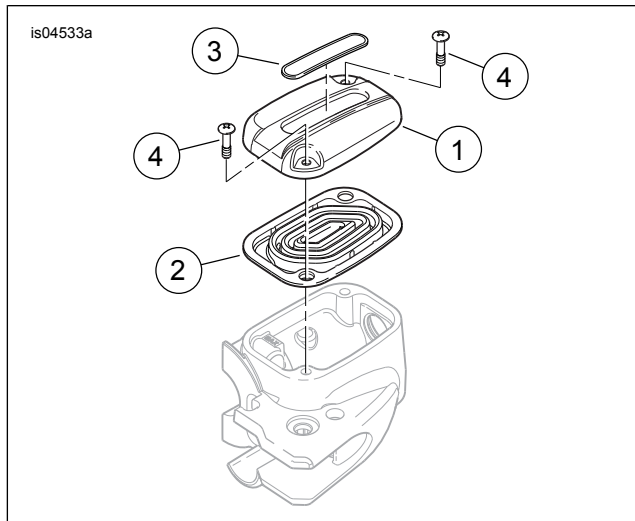
#### NOTE

*Before installing the master cylinder cover, verify that the cover gasket bellows is not expanded. If bellows is expanded, brake fluid is ejected from the reservoir during cover installation, which could damage the vehicle finish.*

3. Verify proper operation of the master cylinder relief port by actuating the brake pedal or lever. A slight spurt of fluid will break the fluid surface in the reservoir if internal components are working properly.
4. See Figure 1. One end of the master cylinder cover is thinner than the other. Install the cover (with gasket compressed) on the master cylinder reservoir. Position the thinner end above the brake line fitting. Fasten the cover and gasket to the reservoir with the two captive Phillips-head screws. Tighten the screws to 0.8–1.2 N·m (7–11 in-lbs).



## SERVICE PARTS



**Figure 1. Service Parts, Master Cylinder Cover Kit**

**Table 1. Service Parts**

Item	Description (Quantity)	Part Number
1	Cover, front brake master cylinder (includes two of Item 4)	Not sold separately
2	Gasket, master cylinder cover (for Kit 42123-08)	42857-06A
	Gasket, master cylinder cover (for Kit 41700297)	41700238
3	Decal, D.O.T. 4 brake fluid (for Kit 42123-08)	42856-06
	Decal (for Kit 41700297)	14100605
4	Screw, master cylinder cover, bright finish (2) (for Kit 42123-08)	42882-06
	Screw (2) (for Kit 41700297)	10500056
	Screw (2) (for Kit 41700334)	42858-06A
	Screw (2) (for Kit 41700338)	10500041