



# INSTRUCTIONS

-J04118

2006-03-07

## CHROME FRONT WHEEL SPACER KITS

### GENERAL

#### Kit Number

41583-07, 41597-07

#### Models

Kit 41583-07 fits 2007 and later FL Softail models (except FLSTSC). FLSTC and FLSTN models require removal of original equipment hubcap.

Kit 41597-07 fits 2007 and later FX Softail models.

#### ⚠ WARNING

The rider's safety depends upon the correct installation of this kit. Use the appropriate service manual procedures. If the procedure is not within your capabilities or you do not have the correct tools, have a Harley-Davidson dealer perform the installation. Improper installation of this kit could result in death or serious injury. (00333a)

#### NOTE

This instruction sheet references Service Manual information. A Service Manual for your model motorcycle is required for this installation and is available from a Harley-Davidson Dealer.

### Removal of Original Wheel Spacers

Refer to the applicable Harley-Davidson Service Manual for removal of wheel spacers.

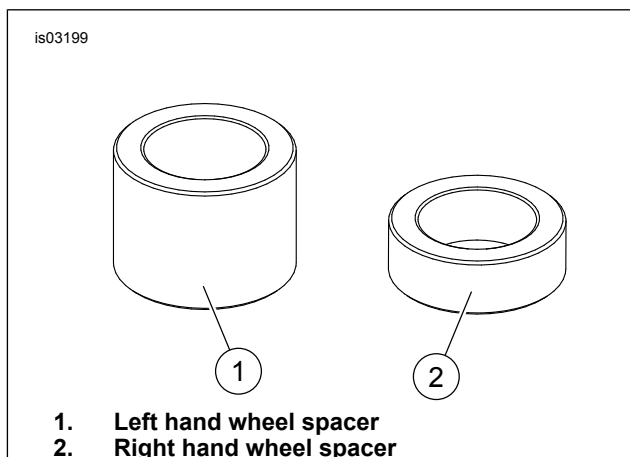


Figure 1. FL Left and Right Front Wheel Spacers

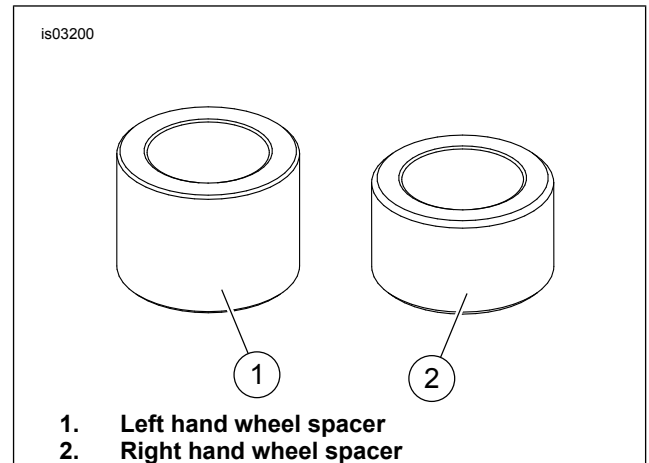


Figure 2. FX Left and Right Front Wheel Spacers

### Kit Installation

#### NOTE

The left and right wheel spacers are different in size. Take note that the left side spacer is larger than the right side spacer.

Refer to the applicable Harley-Davidson Service Manual for installation of wheel spacers.

