



INSTRUCTIONS

-J04419

REV. 2007-03-07

CHROME FRONT WHEEL SPACER KIT

GENERAL

Kit Number

41458-08

Models

For model fitment information, please see the P&A Retail Catalog or the Parts and Accessories section of www.harley-davidson.com (English only).

NOTE

This instruction sheet references Service Manual information. A Service Manual for your model motorcycle is required for this installation and is available from a Harley-Davidson Dealer.

Kit Contents

See Figure 1 and Table 1.

There are no Service Parts available with this kit.

WARNING

The rider's safety depends upon the correct installation of this kit. Use the appropriate service manual procedures. If the procedure is not within your capabilities or you do not have the correct tools, have a Harley-Davidson dealer perform the installation. Improper installation of this kit could result in death or serious injury. (00333a)

INSTALLATION

1. Refer to the appropriate Service Manual and remove the front wheel.
2. See Figure 1. Refer to the appropriate Service Manual and install the front wheel, replacing the stock front wheel spacers with chrome wheel spacers from the kit.

SERVICE PARTS

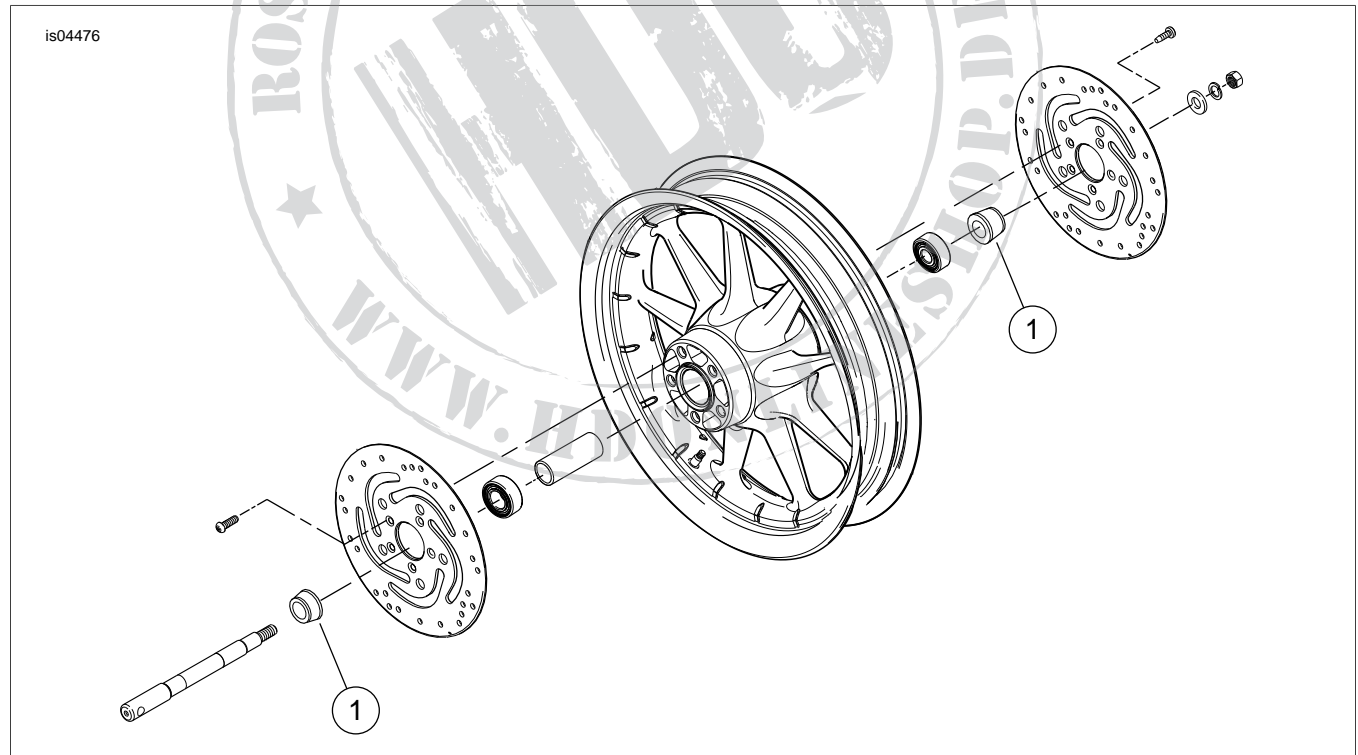


Figure 1. Service Parts: Chrome Front Wheel Spacers for Touring Models

Table 1. Service Parts

Item	Description (Quantity)	Part Number
1	Spacer, front wheel (2)	Not Sold Separately