



INSTRUCTIONS

-J01758

REV. 2007-11-21

BILLET STYLE BRAKE PEDAL PAD KIT

GENERAL

Kit Number

42620-00 (wide band), 42623-00, 46718-08 (narrow band)
(large pedal kits)

42626-00 (wide band), 42629-00, 41850-08 (narrow band)
(small pedal kits)

NOTE

Black Brake Pedal Pads 46718-08 and 41850-08 are designed to show signs of wear. Over time the paint will wear off giving a distressed look.

Models

For model fitment information, please see the P&A Retail Catalog or the Parts and Accessories section of www.harley-davidson.com (English only).

Kit Contents

See Figure 1 and Table 1.

INSTALLATION

1. Remove the previously installed brake pedal cover from the foot brake lever.

NOTE

Rubber rings do not need to be removed from the pedal pad.

2. See Figure 1. Align and slide the new brake pedal pad over the end of the foot brake lever, fitting the rings around both the pad and brake lever end.

3. Assemble the plain washer and screw, and thread the screw through the hole in the brake lever and into the back of the pad.

- On large pedal kits, tighten the hex head cap screw to 19 ft-lbs (26 Nm).
- On small pedal kits, tighten the hex socket head screw to 33 in-lbs (2.5 Nm).

SERVICE PARTS

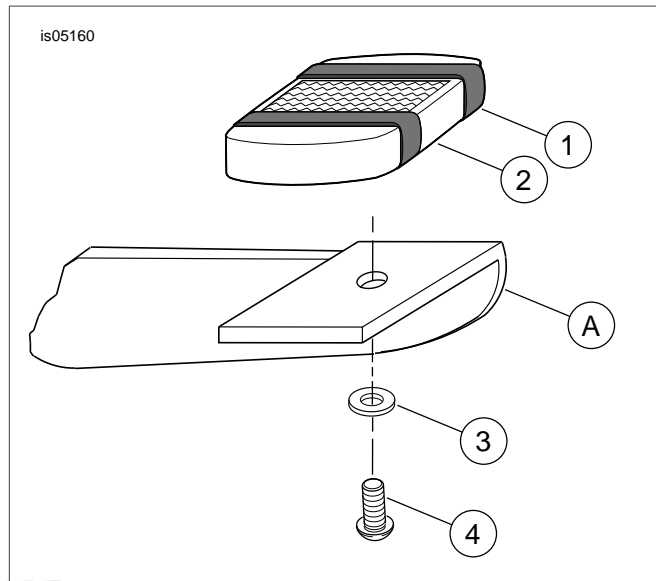


Figure 1. Service Parts: Billet Style Brake Pedal Pads

Table 1. Service Parts Table

Kit	Item	Description (Quantity)	Part Number
Kit 42620-00	1	Rubber ring, 1/2 in., (3)	11536
	2	Brake pedal pad, large, wide band	Not Sold Separately
	3	Plain washer 5/16 in.	6333
	4	Button head screw, 5/16-18 x 1/2 in.	3340
Kit 42623-00 or Kit 42623-08	1	Rubber ring, 3/16 in. (4)	11537
	2	Brake pedal pad, chrome (kit 42623-00) Brake pedal pad, black (kit 42623-08)	Not Sold Separately Not Sold Separately
	3	Plain washer, 5/16 in.	6333
	4	Button head screw, 5/16-18 x 1/2 in.	3340
Kit 42626-00	1	Rubber ring, 1/2 in., (2)	11538
	2	Brake pedal pad, small, narrow band	Not Sold Separately
	3	Plain washer #10	6716
	4	Hex socket screw, #10-32 X 1/2 in.	3026
Kit 42629-00 or Kit 41850-08	1	Rubber ring, 3/16 in. (2)	11539
	2	Brake pedal pad, small, narrow band (kit 42629-00) Brake pedal pad, black (kit 41850-08)	Not Sold Separately Not Sold Separately
	3	Plain washer, #10	6716
	4	Hex socket screw, #10-32 X 1/2 in.	3026
Items mentioned in text, but not included in kit:			
	A	Foot brake lever	