



INSTRUCTIONS

-J06211

2015-10-15

TRIKE SIX PISTON FRONT BRAKE CALIPER KIT

GENERAL

Kit Numbers

41300181

Models

For model fitment information, see the P&A retail catalog or the Parts and Accessories section of www.harley-davidson.com (English only).

This kit is a direct replacement for the original equipment (OE) component, and installs in the same manner.

Installation Requirements

Fresh, uncontaminated hydraulic brake fluid from a sealed container is needed. Refer to the service manual for this year/model motorcycle to determine the correct brake fluid.

New brake pads are required if existing brake pads are beyond service limit.

⚠ WARNING

The rider's safety depends upon the correct installation of this kit. Use the appropriate service manual procedures. If the procedure is not within your capabilities or you do not have the correct tools, have a Harley-Davidson dealer perform the installation. Improper installation of this kit could result in death or serious injury. (00333a)

NOTE

This instruction sheet refers to service manual information. A service manual for this year/model motorcycle is required for this installation. One is available from a Harley-Davidson dealer.

⚠ WARNING

Brakes are a critical safety component. Contact a Harley-Davidson dealer for brake repair or replacement. Improperly serviced brakes can adversely affect brake performance, which could result in death or serious injury. (00054a)

Kit Contents

See Figure 1 and Table 1.

PREPARATION

⚠ WARNING

To prevent accidental vehicle start-up, which could cause death or serious injury, remove main fuse before proceeding. (00251b)

1. See the service manual. Remove main fuse.

INSTALLATION

⚠ CAUTION

Direct contact of D.O.T. 4 brake fluid with eyes can cause irritation. Avoid eye contact. In case of eye contact flush with large amounts of water and get medical attention. Swallowing large amounts of D.O.T. 4 brake fluid can cause digestive discomfort. If swallowed, obtain medical attention. Use in well ventilated area. **KEEP OUT OF REACH OF CHILDREN.** (00240a)

NOTICE

D.O.T. 4 brake fluid will damage painted and body panel surfaces it comes in contact with. Always use caution and protect surfaces from spills whenever brake work is performed. Failure to comply can result in cosmetic damage. (00239b)

NOTE

If DOT 4 brake fluid contacts painted surfaces, IMMEDIATELY flush area with clear water.

Cover nearby motorcycle surfaces to protect against damage to the finish caused by spillage or splash of DOT 4 brake fluid.

⚠ WARNING

Replace brake line gaskets. Re-using original gaskets can cause brake failure and loss of vehicle control, which could result in death or serious injury. (00318a)

NOTICE

Remove brake line components carefully. Damage to seating surfaces can cause leakage. (00320a)

1. See the service manual. Remove both brake calipers.
2. See the service manual. Install front brake pads.
3. See the service manual. Install **new** front brake calipers.

COMPLETION

NOTE

Verify that ignition switch is OFF before installing main fuse.

1. See the service manual. Install main fuse.

⚠ WARNING

After servicing brakes and before moving motorcycle, pump brakes to build brake system pressure. Insufficient pressure can adversely affect brake performance, which could result in death or serious injury. (00279a)

⚠ WARNING

After repairing the brake system, test brakes at low speed. If brakes are not operating properly, testing at high speeds can cause loss of control, which could result in death or serious injury. (00289a)

SERVICE PARTS

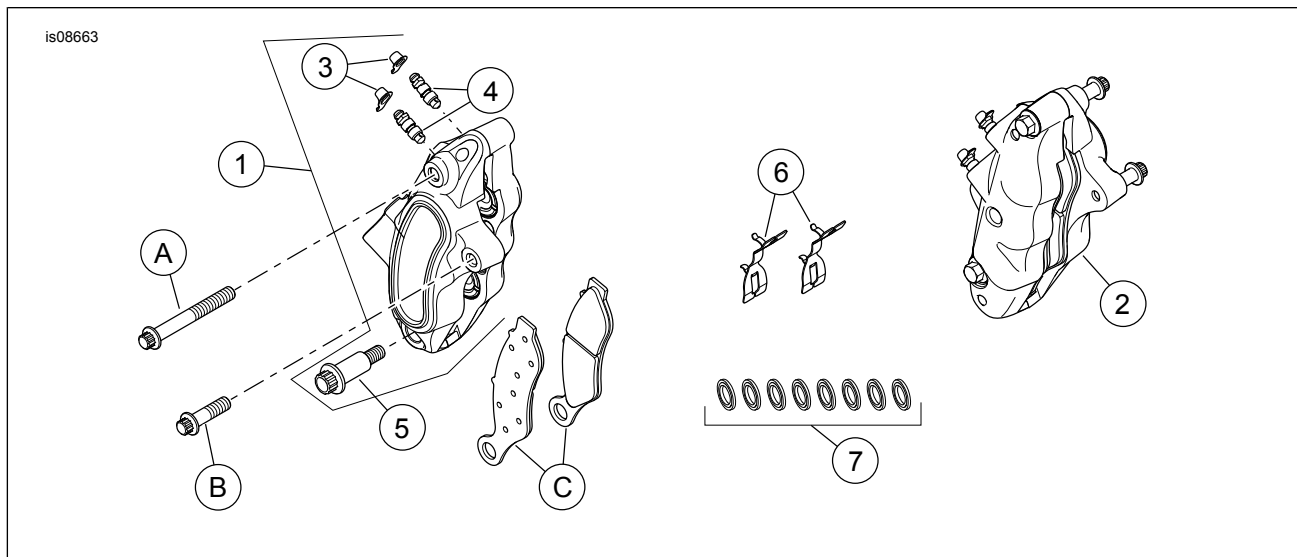


Figure 1. Service Parts, Brake Caliper Kit

Table 1. Service Parts

Item	Description (Quantity)	Part Number
1	Brake caliper, RH (Chrome). Includes items 3, 4, 5	41300182
2	Brake caliper, LH (Chrome). Includes items 3, 4, 5	41300183
3	• Bleeder cap (4)	44147-87A
4	• Bleeder screw (4)	44048-83
5	• Screw, M10, custom 12 point, zinc plated	Not sold separately
6	Spring, anti-rattle (2)	41300042
7	Brake line gasket (8)	41756-08
Items mentioned in text, but not included in kit:		
A	Bolt, caliper mounting, upper (2)	
B	Bolt, caliper mounting, lower (2)	
C	Brake pad kit (2)	