



# INSTRUCTIONS

-J05891

2014-02-20

## BRAKE CALIPER KIT

### GENERAL

#### Kit Number

41300134

#### Models

For model fitment information, see the P&A retail catalog or the Parts and Accessories section of [www.harley-davidson.com](http://www.harley-davidson.com) (English only).

This kit is a direct replacement for the original equipment (OE) components, and installs in the same manner.

#### Installation Requirements

Fresh, uncontaminated hydraulic brake fluid from a sealed container is needed. Refer to the service manual for this year/model motorcycle to determine the correct brake fluid.

#### ▲ WARNING

The rider's safety depends upon the correct installation of this kit. Use the appropriate service manual procedures. If the procedure is not within your capabilities or you do not have the correct tools, have a Harley-Davidson dealer perform the installation. Improper installation of this kit could result in death or serious injury. (00333a)

#### NOTE

This instruction sheet refers to service manual information. A service manual for this year/model motorcycle is required for this installation. One is available from a Harley-Davidson dealer.

#### ▲ WARNING

Brakes are a critical safety component. Contact a Harley-Davidson dealer for brake repair or replacement. Improperly serviced brakes can adversely affect brake performance, which could result in death or serious injury. (00054a)

#### ▲ WARNING

The rider's safety depends upon the correct installation of this kit. Dealer installation is required for vehicles equipped with ABS brakes. Proper installation of this kit requires the use of special tools available only through a Harley-Davidson Dealer. An improperly serviced brake system can adversely affect brake performance, which could result in death or serious injury. (00578b)

#### ▲ WARNING

When any hydraulic brake component, line or connection is loosened or replaced on an ABS motorcycle, Digital Technician II must be used during the brake bleeding procedure to verify all air is removed from the system. Failure to properly bleed the brake system could adversely affect braking, which could result in death or serious injury. (00585c)

### Kit Contents

See Figure 1 and Table 1.

### PREPARATION

#### ▲ WARNING

To prevent accidental vehicle start-up, which could cause death or serious injury, remove main fuse before proceeding. (00251b)

#### NOTE

- **WITH security siren:** With security fob present, turn ignition switch ON. See the service manual. After system is disarmed, turn ignition switch OFF. **IMMEDIATELY** remove the main fuse.
- **WITHOUT security siren:** See the service manual. Remove the main fuse.

### INSTALLATION

#### ▲ CAUTION

Direct contact of D.O.T. 4 brake fluid with eyes can cause irritation. Avoid eye contact. In case of eye contact flush with large amounts of water and get medical attention. Swallowing large amounts of D.O.T. 4 brake fluid can cause digestive discomfort. If swallowed, obtain medical attention. Use in well ventilated area. **KEEP OUT OF REACH OF CHILDREN.** (00240a)

#### NOTICE

D.O.T. 4 brake fluid will damage painted and body panel surfaces it comes in contact with. Always use caution and protect surfaces from spills whenever brake work is performed. Failure to comply can result in cosmetic damage. (00239b)

#### NOTE

If DOT 4 brake fluid contacts painted surfaces, **IMMEDIATELY** flush area with clear water.

Cover nearby motorcycle surfaces to protect against damage to the finish caused by spillage or splash of DOT 4 brake fluid.

#### ▲ WARNING

Replace brake line gaskets. Re-using original gaskets can cause brake failure and loss of vehicle control, which could result in death or serious injury. (00318a)

#### NOTICE

Remove brake line components carefully. Damage to seating surfaces can cause leakage. (00320a)

1. See the service manual. Remove the OE front brake caliper.

-J05891



Many Harley-Davidson® Parts & Accessories are made of plastics and metals which can be recycled. Please dispose of materials responsibly.

1 / 3

2. Install the **new** front brake caliper per service manual instructions.
3. See the service manual. Remove the OE rear brake caliper.
4. Install the **new** rear brake caliper per service manual instructions.

1. See the service manual. Install the main fuse.

**⚠ WARNING**

After servicing brakes and before moving motorcycle, pump brakes to build brake system pressure. Insufficient pressure can adversely affect brake performance, which could result in death or serious injury. (00279a)

**⚠ WARNING**

After repairing the brake system, test brakes at low speed. If brakes are not operating properly, testing at high speeds can cause loss of control, which could result in death or serious injury. (00289a)

**COMPLETION**

*NOTE*

Verify that the ignition key switch is in the OFF position **before** installing the main fuse.

**SERVICE PARTS**

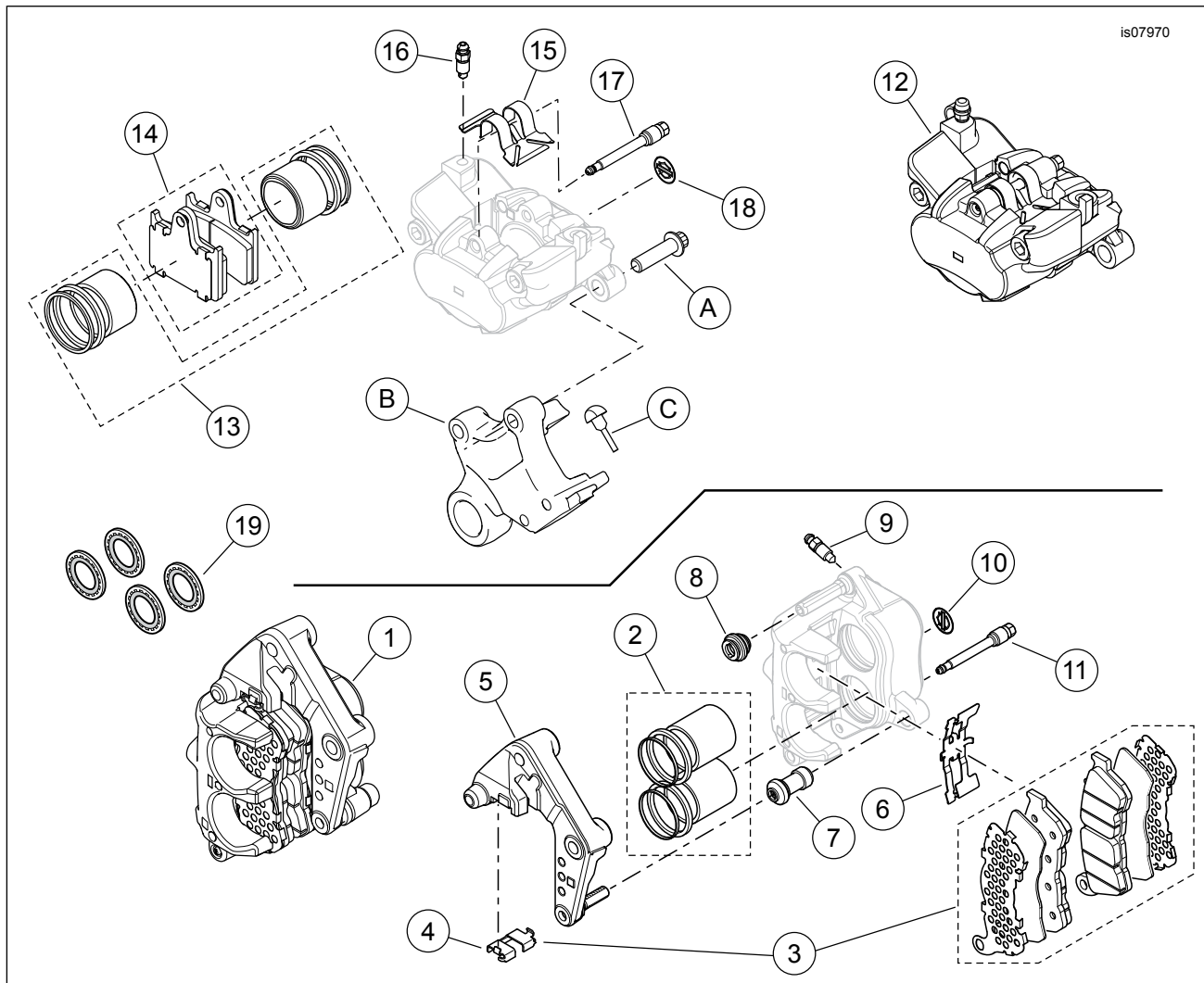


Figure 1. Service Parts, Brake Caliper Kit

Table 1. Service Parts

Item	Description (Quantity)	Part Number
1	Brake caliper assembly, front (Red) (includes Items 2-11)	41300135
2	• Piston kit, front brake	41300006
3	• Pad kit, front brake (includes Item 4)	41300004
4	• ... Clip, retainer	Not sold separately
5	• Caliper bracket (Red)	41300140
6	• Spring, front brake pad retainer	41300005
7	• Boot, caliper bushing	42823-04
8	• Boot, caliper pin	42824-04
9	• Bleeder screw	42827-04

**Table 1. Service Parts**

<b>Item</b>	<b>Description (Quantity)</b>	<b>Part Number</b>
10	• Medallion, Bar & Shield logo	14100381
11	• Pin, caliper pad	41300009
12	Brake caliper assembly, rear (Red) (includes Items 13-18)	41300136
13	• Piston kit, rear brake	41300054
14	• Pad kit, rear brake (includes two pads and two shims)	41300053
15	• Spring, rear brake pad	41300055
16	• Bleeder screw	42827-04
17	• Pin, caliper pad	41300009
18	• Medallion, Bar & Shield logo	14100381
19	Sealing gasket (4)	41756-08
<b>Items mentioned in text, but not included in kit:</b>		
A	Bolt, lower caliper mount (2) (Part No. 44160-00)	
B	Bracket, rear brake caliper (Part No. 41300049. Includes Item C)	
C	• Damper (Part No. 42840-04)	