



INSTRUCTIONS

-J04245

2007-02-19

CHROME REAR WHEEL SPACER KIT

GENERAL

Kit Number

41221-08

Models

For model fitment information, please see the P&A Retail Catalog or the Parts and Accessories section of www.harley-davidson.com (English only).

▲ WARNING

The rider's safety depends upon the correct installation of this kit. Use the appropriate service manual procedures. If the procedure is not within your capabilities or you do not have the correct tools, have a Harley-Davidson dealer perform the installation. Improper installation of this kit could result in death or serious injury. (00333a)

SERVICE PARTS

NOTE

This instruction sheet references Service Manual information. A Service Manual for your model motorcycle is required for this installation and is available from a Harley-Davidson Dealer.

Kit Contents

See Figure 1 and Table 1.

There are no Service Parts available with this kit.

INSTALLATION

1. Refer to the appropriate Service Manual and remove the rear wheel.
2. See Figure 1. Refer to the appropriate Service Manual and install the rear wheel, replacing the stock rear wheel spacers with chrome wheel spacers from kit.

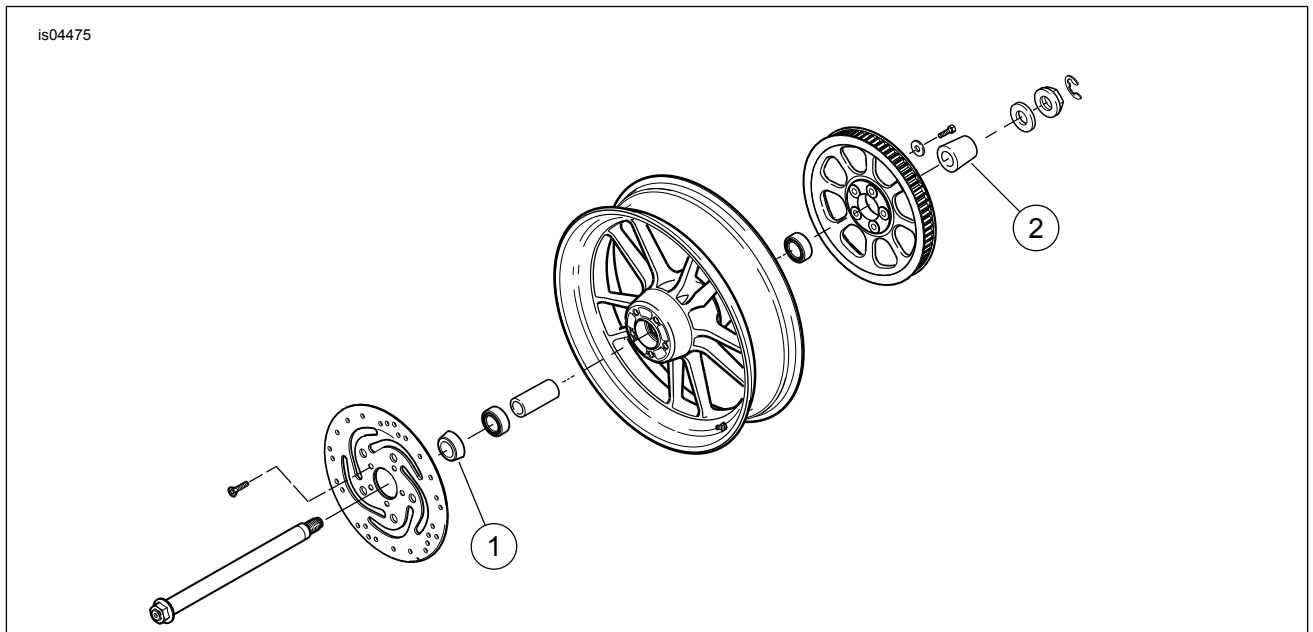


Figure 1. Service Parts: Chrome Rear Wheel Spacer Kit

Table 1. Service Parts

| Item | Description (Quantity) | Part Number |
|------|---------------------------|---------------------|
| 1 | Chrome spacer, right side | Not Sold Separately |
| 2 | Chrome spacer, left side | Not Sold Separately |