



INSTRUCTIONS

-J05666

2014-04-12

IMPELLER REAR WHEEL

GENERAL

▲ WARNING

Install only wheels and installation kits approved for your model motorcycle. Contact a Harley-Davidson dealer to verify fitment. Mismatching wheels and installation kits or installing wheels not approved for your model can cause loss of control, which could result in death or serious injury. (00610c)

Kit Number

40900348, 40900391

Models

For model fitment information, see the P&A Retail Catalog or the Parts and Accessories section of www.harley-davidson.com (English only).

Kit Contents

These kits include the custom wheel only. See Figure 1 and Table 2.

Additional Parts Required

Proper installation of these kits require the separate purchase of the following parts which are available at a Harley-Davidson dealer.

- Wheel Installation Kit (See Table 3 and Table 4 to determine required installation kit.)
- Brake Disc Screws (See Table 1 to determine proper hardware.)
- Wheel Bearing Remover and Installer (94134-09)

Recommended Parts

The following Harley-Davidson Genuine Motor Accessories are recommended for proper maintenance and cleaning:

- Chrome Clean & Shine (93600031 [US] and 93600082 [non-US])
- Glaze Poly Sealant (93600026 [US] and 93600079 [non-US])
- Harley® Wheel and Spoke Brush (43078-99)
- Wheel & Tire Cleaner (93600024 [US] and 93600076 [non-US])

▲ WARNING

The rider's safety depends upon the correct installation of this kit. Use the appropriate service manual procedures. If the procedure is not within your capabilities or you do not have the correct tools, have a Harley-Davidson dealer perform the installation. Improper installation of this kit could result in death or serious injury. (00333a)

NOTE

This instruction sheet references service manual information. A service manual for your model motorcycle is required for this installation and is available from a Harley-Davidson dealer.

Table 1. Rear Disc and Sprocket Hardware Fitment

Hardware	Fitment
Rear Disc Screws (select stock or chrome hardware)	
5 Stock disc screws (43567-92)	All models
Chrome screw kit (46647-05) includes 5 screws	All models
Rear Sprocket Screws (select stock or chrome hardware)	
5 Sprocket screw, stock (3109)	2007 and later Dyna, 2007 and later Softail, 2007 Touring models
Chrome screw kit (94773-07) includes 5 screws and washers	
5 Sprocket screw, stock (3737A)	2000-2005 Dyna, 2000-2006 Softail, 2004-2006 Touring models
Chrome screw kit (94773-00A) includes 5 screws and washers	
5 Sprocket screw, stock (3814)	2008 Touring models
5 Sprocket screw, stock (3873)	2006 Dyna models
5 Sprocket screw, stock (3899)	2000-2003 Touring, 2001 and later Sportster (except Japanese models)
5 Sprocket screw, stock (40439-01)	2002-2006 VRSC and 2007 VRSCR models
5 Sprocket screw, stock (4552)	2007 and later VRSC models (except VRSCR and VRSCSE models)
Rear Sprocket Washers	
5 Sprocket washer, stock (6516HW)	2006 and earlier Dyna, Softail and Touring and 2000 and later Sportster models (except Japanese models)
5 Sprocket washer, stock (7039)	2002 and later VRSC

INSTALLATION

NOTE

Prior to removing or installing the wheel, the rear brake caliper must be removed.

The cotter pin or spring clip for the axle nut must be replaced. They are available for purchase from your dealer. See your dealer for the correct part number for your model motorcycle.

NOTE

Install pull thru valve stem (40999-87) included in the installation kit. Discard all other valve stems.

1. Remove existing rear wheel assembly. Save axle, axle nut, brake disc, and wheel spacers for kit installation. Refer to REAR WHEEL in service manual.
2. See Figure 1. Install valve stem assembly (H) on wheel. Refer to TIRES in service manual.



NOTICE

Do not re-use brake disc/rotor screws. Re-using these screws can result in torque loss and damage to brake components. (00319c)

NOTE

The valve stem side of the wheel and machined grooves in the hub face indicate the primary bearing side. Install the primary bearing first using appropriate service manual and WHEEL BEARING REMOVER/INSTALLER.

3. Assemble wheel installation kit components, stock brake disc, and sprocket to wheel using the appropriate service parts table. Refer to REAR WHEEL in Service Manual.

4. Install rear wheel (1), stock axle, and stock spacers to motorcycle. Refer to REAR WHEEL in service manual.

MAINTENANCE AND CLEANING

Chrome parts must be maintained regularly so that they keep their original shine and luster.

1. Clean heavily-soiled wheel surfaces using Wheel & Tire Cleaner, applied with Harley Wheel and Spoke Brush.
2. Thoroughly clean chrome with a good quality chrome cleaner, such as Harley Chrome Clean & Shine.
3. After cleaning and polishing, seal the finish with a good quality sealer, such as Glaze Poly Sealant.

SERVICE PARTS

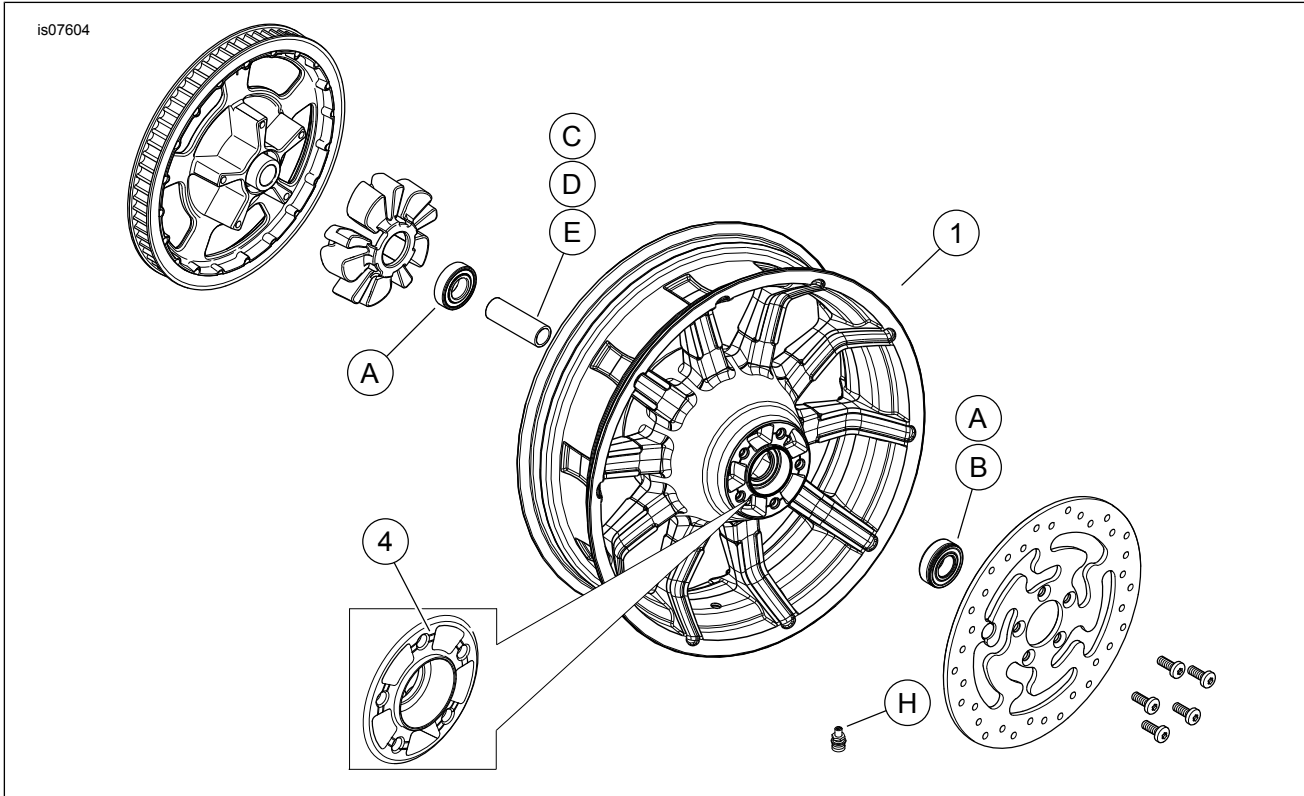


Figure 1. Service Parts: Impeller Rear Wheels

Table 2. Service Parts and Wheel Kit Contents

Kit	Item	Description (Quantity)	Part Number
40900348, 40900391	1	Wheel	Not Sold Separately
Visual indicator mentioned in text:			
	4	Machined groove (all wheels)	

Table 3. REAR 25mm Bearing Wheel Installation Kit (41456-08C)

REAR 25 MM Bearing Wheel Installation Kit (41456-08C)		Item (Quantity Used and Description)								
Fitment	Wheel Size	A	C	D	E	F	H	I	J	
2009 and later FLT without ABS	16 x 5.0 in	2	1	0	0	0	*	*	*	
2009 and later FLT without ABS	18 x 5.0 in	2	1	0	0	0	*	*	0	
2008 VRSCD without ABS	18 x 5.5 in	2	0	0	1	**	*	*	0	
2013 and later FXSB, 2008 and later FXCW/C without ABS	18 x 8.0 in	2	0	1	0	0	*	*	0	
2008 and later VRSCAW, VRSCDX and VRSCF without ABS	18 x 8.0 in	2	0	0	1	**	*	*	0	

Table 3. REAR 25mm Bearing Wheel Installation Kit (41456-08C)

REAR 25 MM Bearing Wheel Installation Kit (41456-08C)		Item (Quantity Used and Description)										
Fitment	Wheel Size	A	C	D	E	F	H	I	J			
Installation kits are designed to work with many different wheel styles and fitments. Contact a Harley-Davidson dealer to verify that the wheel and installation kits are both designed and approved for the motorcycle they are being installed on. NOTES: * See NOTE above valve installation step in INSTALLATION to determine which valve stem to use for your particular kit. Discard other valve stem(s). ** See INSTALLATION to determine if shim is required. *** Bearing shim installed under primary bearing.		A	Bearing, regular (2)						9276			
		C	Axle sleeve						41349-07			
		D	Axle sleeve						41358-08			
		E	Axle sleeve						43704-08			
		F	Bearing shim***						41447-08			
		H	Valve stem, short						43157-83A			
		I	Valve stem, long						43206-01			
	J	Valve stem, pull thru						40999-87				

Table 4. REAR 25 MM Bearing ABS Wheel Installation Kit (41453-08C)

REAR 25 MM Bearing ABS Wheel Installation Kit (41453-08C)		Item (Quantity Used and Description)											
Fitment	Wheel Size	A	B	C	D	E	F	G	H	I	J		
2008 FLT with ABS	16 x 3.0 in	1	1	0	1	0	0	1	*	*	0		
2014 and later XL with ABS (except 2014 and later 883L)	16 x 3.0 in	1	1	0	1	0	0	1	*	*	0		
2009 and later FLT with ABS	16 x 5.0 in	1	1	1	0	0	0	0	*	*	*		
2009 and later FLT with ABS	18 x 5.0 in	1	1	1	0	0	0	0	*	*	0		
2008 VRSCDa with ABS	18 x 5.5 in	1	1	0	0	1	**	0	*	*	0		
2008 and later VRSCAWa, VRSCDXa, VRSCXa and VRSCFa with ABS	18 x 8.0 in	1	1	0	0	1	**	0	*	*	0		
Installation kits are designed to work with many different wheel styles and fitments. Contact a Harley-Davidson dealer to verify that the wheel and installation kits are both designed and approved for the motorcycle they are being installed on. NOTES: * See NOTE above valve installation step in INSTALLATION to determine which valve stem to use for your particular kit. Discard other valve stem(s). ** Primary bearing. Bearing must be installed with red side facing the wheel. *** Bearing shim installed under primary bearing.		A	Bearing, regular									9276	
		B	Bearing, ABS**									9252	
		C	Axle sleeve									41349-07	
		D	Axle sleeve									41900-08	
		E	Axle sleeve									43704-08	
		F	Bearing shim***									41447-08	
		G	Bearing shim***									43904-08	
		H	Valve stem, short									43157-83A	
		I	Valve stem, long									43206-01	
		J	Valve stem, pull thru									40999-87	