



INSTRUCTIONS

-J04574

REV. 2011-06-03

REAR MAGNUM 5 WHEELS

GENERAL

⚠ WARNING

Install only wheels and installation kits approved for your model motorcycle. Contact a Harley-Davidson dealer to verify fitment. Mismatching wheels and installation kits or installing wheels not approved for your model can cause loss of control, which could result in death or serious injury. (00610c)

Kit Number

43636-09, 40803-09, 40405-10, 40139-10, 40900059, 40900061

Models

For model fitment information, see the P&A Retail Catalog or the Parts and Accessories section of www.harley-davidson.com (English only).

Kit Contents

These kits include the custom wheel only. See Figure 1 and Service Parts Tables.

Additional Parts Required

Proper installation of these kits require the separate purchase of the following parts which are available at a Harley-Davidson dealer.

- The cotter pin or spring clip for the axle nut must be replaced. They are available for purchase from a dealer. See a dealer for the correct part number for your model.
- Wheel Installation Kit (See Table 3 through Table 8 to determine required installation kit.)
- Brake Disc Screws (See Table 1 to determine proper hardware.)
- Rear Sprocket Screws (See Table 1 to determine proper hardware.)
- Wheel Bearing Remover and Installer (94134-09A)

Recommended Additional Parts

It is recommended that a floating brake rotor be purchased separately if objectionable brake noise is experienced from the brake rotors. Refer to the P&A Retail Catalog or the Parts and Accessories section of www.harley-davidson.com for part numbers.

The following Harley-Davidson Genuine Motor Accessories are recommended for proper maintenance and cleaning:

- Harley® Bright™ Chrome Cleaner (94683-99)
- Harley® Glaze™ Polish and Sealant (99701-84)
- Harley® Wheel and Spoke Brush (43078-99)
- Harley-Davidson® Wheel and Tire Cleaner (94658-98)
- Harley® Preserve Bare Aluminum Protectant (99845-07)

⚠ WARNING

The rider's safety depends upon the correct installation of this kit. Use the appropriate service manual procedures. If the procedure is not within your capabilities or you do not have the correct tools, have a Harley-Davidson dealer perform the installation. Improper installation of this kit could result in death or serious injury. (00333a)

NOTE

This instruction sheet references service manual information. A service manual for your model motorcycle is required for this installation and is available from a Harley-Davidson dealer.

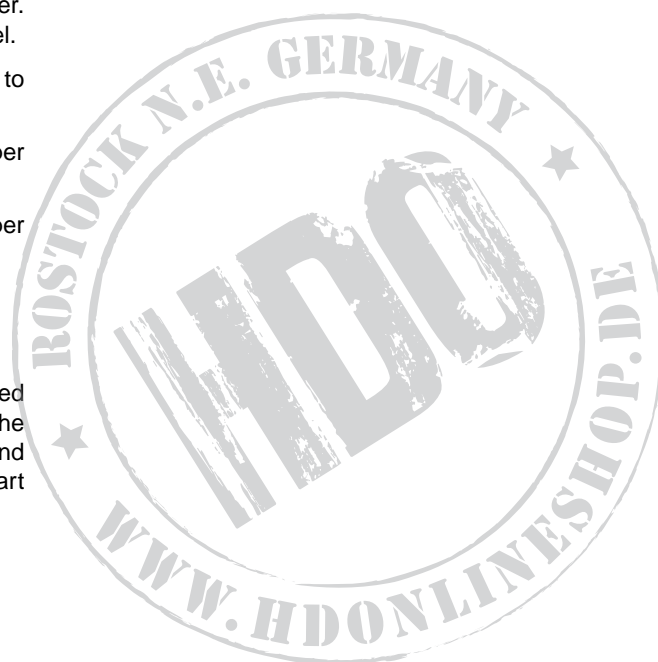


Table 1. Rear Disc and Sprocket Hardware Fitment

Hardware	Fitment
Rear Disc Screws (select stock or chrome hardware)	
5 Stock disc screws (43567-92)	All models
Chrome screw kit (46647-05) includes 5 screws	All models
Rear Sprocket Screws (select stock or chrome hardware)	
5 Sprocket screw, stock (3109)	2007 and later Dyna and Softail, 2007 Touring
Chrome screw kit (94773-07) includes 5 screws and washers	2007 and later Dyna and Softail
5 Sprocket screw, stock (3737A)	2000-2005 Dyna, 2000-2006 Softail, 2004-2006 Touring
Chrome screw kit (94773-00A) includes 5 screws and washers	2000-2005 Dyna, 2000-2006 Softail
5 Sprocket screw, stock (3814)	2008 Touring
5 Sprocket screw, stock (3873)	2006 Dyna
5 Sprocket screw, stock (3899)	2000-2003 Touring, 2001 and later Sportster (except Japanese models)
5 Sprocket screw, stock (40439-01)	2002-2006 VRSC and 2007 VRSCR models
5 Sprocket screw, stock (4552)	2007 and later VRSC models (except VRSCR and VRSCSE models)
Rear Sprocket Washers	
5 Sprocket washer, stock (6516HW)	2006 and earlier Dyna, Softail and Touring and 2000 and later Sportster models (except Japanese models)
5 Sprocket washer, stock (7039)	2002 and later VRSC

INSTALLATION

NOTES

Prior to removing or installing the wheel, the rear brake caliper must be removed.

The cotter pin or spring clip for the axle nut must be replaced. They are available for purchase from a dealer. See a dealer for the correct part number for your model.

Use plastic protectors on the tire mounting tools and rim clamps when mounting a tire to a painted wheel.

For wide low profile tires, a tire mounting machine with a second arm to press down on the sidewall while the wheel is rotating is recommended.

When mounting tires, liberally use tire lube on the wheel and tire.

For tire removal, use plastic inserts between the rim and tire after breaking the bead to create a large enough gap for the rim clamps.

1. Remove existing rear wheel assembly following the instructions in the appropriate service manual. Save axle, axle nut, brake disc and wheel spacers for kit installation.

NOTE

Install long valve stem (43206-01) included in the installation kit. Discard all other valve stems.

2. See Figure 1. Install valve stem assembly (I) on wheel following the instructions in the appropriate service manual.

NOTICE

Do not re-use brake disc/rotor screws. Re-using these screws can result in torque loss and damage to brake components. (00319c)

NOTICE

Do not re-use sprocket mounting screws. Re-using sprocket mounting screws can result in torque loss and damage to the sprocket and/or belt assembly. (00480b)

3. Assemble wheel installation kit components, stock brake disc and sprocket to wheel using the appropriate service parts table. Follow the instructions in the appropriate service manual.

NOTE

Install the primary bearing first using appropriate service manual and WHEEL BEARING REMOVER/INSTALLER.

The hub face with the double machined grooves indicates the primary bearing side.

For Kits 40405-10, 43636-09 and 40900059: *When installing wheel on 2008 and later Dyna models, install bearing shim from installation kit under the primary bearing.*

4. Mount and balance the tire.
5. Install rear wheel (1), stock axle, sprocket, and stock spacers to motorcycle. Follow the instructions in the appropriate service manual.

MAINTENANCE AND CLEANING

Chrome parts must be maintained regularly so that they keep their original shine and luster.

1. Clean heavily-soiled wheel surfaces using Harley-Davidson Wheel and Tire Cleaner, applied with Harley Wheel and Spoke Brush.
2. Thoroughly clean chrome with a good quality chrome cleaner, such as Harley Bright Chrome Cleaner.
3. After cleaning and polishing, seal the finish with a good quality sealer, such as Harley Glaze Polish and Sealant.

SERVICE PARTS

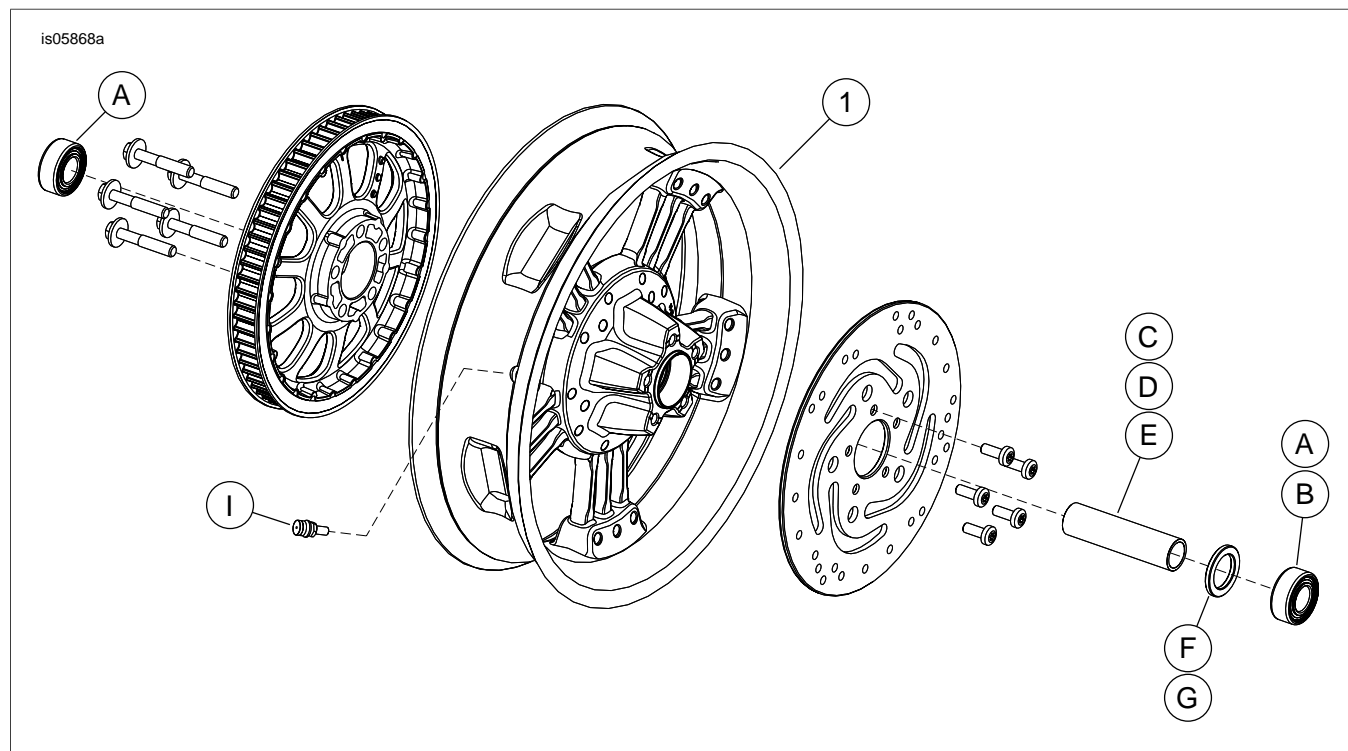


Figure 1. Service Parts: Rear Magnum 5 Wheel (17-inch shown)

Table 2. Service Parts and Wheel Kit Contents

Kit	Item	Description (Quantity)	Part Number
43636-09, 40803-09, 40405-10, 40139-10, 40900059, 40900061	1	Wheel	Not Sold Separately

Table 3. REAR 3/4 Inch Bearing Wheel Installation Kit (43854-08A)

REAR 3/4 Inch Bearing Wheel Installation Kit (43854-08A)		Item (Quantity Used and Description)						
Fitment	Wheel Size	A	C	D	E	H	I	
2007 FLST, FLSTN and FLSTC	16 x 3.0 in	2	1	0	0	*	*	
2003-2006 FLST, FLSTN and FLSTC; 2003-2006 FLSTF (except FLSTFSE2); 2003-2005 FXST, FXSTB and FXSTS	16 x 3.0 in	2	1	0	0	*	*	
2000-2005 Dyna; 2000-2002 Softail (except FXSTD)	16 x 3.0 in	2	1	0	0	*	*	
2000-2004 XL; 2000-2001 FLT	16 x 3.0 in	2	1	0	0	*	*	
2000-2007 FXSTD	17 x 4.5 in	2	1	0	0	*	*	
2006 FXST, FXSTB, FXSTS and FLSTFSEi	17 x 6.0 in	2	0	1	0	*	*	
2007 FLSTF, FXST, FXSTB and FXSTC	17 x 6.0 in	2	0	0	1	*	*	
Installation kits are designed to work with many different wheel styles and fitments. Contact a Harley-Davidson dealer to verify that the wheel and installation kits are both designed and approved for the motorcycle they are being installed on.		A	Bearing, regular (2)		9267			
NOTES:		C	Axle sleeve		43608-00			
* See NOTE above valve installation step in INSTALLATION to determine which valve stem to use for your particular kit. Discard other valve stem(s).		D	Axle sleeve		43618-06			
		E	Axle sleeve		43618-07			
		H	Valve stem, short		43157-83A			
		I	Valve stem, long		43206-01			

Table 4. REAR 1 Inch Bearing Wheel Installation Kit (43861-08A)

REAR 1 Inch Bearing Wheel Installation Kit (43861-08A)		Item (Quantity Used and Description)				
Fitment	Wheel Size	A	C	D	H	I
2002-2007 FLT; 2005-2007 XL	16 x 3.0 in	2	1	0	*	*
2006-2007 Dyna	17 x 4.5 in	2	1	0	*	*
2002-2006 VRSC; 2007 VRSCD and VRSCR	18 x 5.5 in	2	0	1	*	*
2006 VRSCSEi; 2007 VRSCAW, VRSCX and VRSCDX	18 x 8.0 in	2	0	1	*	*
Installation kits are designed to work with many different wheel styles and fitments. Contact a Harley-Davidson dealer to verify that the wheel and installation kits are both designed and approved for the motorcycle they are being installed on. NOTES: * See NOTE above valve installation step in INSTALLATION to determine which valve stem to use for your particular kit. Discard other valve stem(s).		A	Bearing, regular	9247		
		C	Axle sleeve	43517-00		
		D	Axle sleeve	43704-01		
		H	Valve stem, short	43157-83A		
		I	Valve stem, long	43206-01		

Table 5. REAR 25 MM Bearing Wheel Installation Kit (41451-08B)

REAR 25 MM Bearing Wheel Installation Kit (41451-08B)		Item (Quantity Used and Description)					
Fitment	Wheel Size	A	C	F	H	I	J
2008 and later FXDF	16 x 5.0 in	2	1	0	*	*	*
2008 and later Dyna (except FXDF)	17 x 4.5 in	2	1	**	*	*	*
2008 and later FXDF	18 x 6.0 in	2	1	0	*	*	*
Installation kits are designed to work with many different wheel styles and fitments. Contact a Harley-Davidson dealer to verify that the wheel and installation kits are both designed and approved for the motorcycle they are being installed on. NOTES: * See NOTE above valve installation step in INSTALLATION to determine which valve stem to use for your particular kit. Discard other valve stem(s). ** See NOTES for your wheel kit above the wheel assembly step in INSTALLATION to determine which bearing shim to use for your particular wheel kit and fitment. *** Bearing shim installed under the primary bearing.		A	Bearing, regular (2)	9276			
		C	Axle sleeve	43905-08			
		F	Bearing shim***	43904-08			
		H	Valve stem, short	43157-83A			
		I	Valve stem, long	43206-01			
		J	Valve stem, pull-thru	40999-87			

Table 6. REAR 25mm Bearing Wheel Installation Kit (43878-08B)

REAR 25 MM Bearing Wheel Installation Kit (43878-08B)		Item (Quantity Used and Description)						
Fitment	Wheel Size	A	C	D	F	H	I	J
2008 and later FLSTN, FLSTC and FXS without ABS	16 x 3.0 in	2	1	0	0	*	*	0
2008 FLT without ABS	16 x 3.0 in	2	0	1	1	*	*	0
2008 and later XL (except 2011 and later XL883L)	16 x 3.0 in	2	0	1	**	*	*	*
2008 and later FXSTB, FXSTC, FLSTF, FLSTSB and FLSTFB without ABS	17 x 6.0 in	2	1	0	0	*	*	0

Table 6. REAR 25mm Bearing Wheel Installation Kit (43878-08B)

REAR 25 MM Bearing Wheel Installation Kit (43878-08B)		Item (Quantity Used and Description)							
Fitment	Wheel Size	A	C	D	F	H	I	J	
2008 and later FXSTB, FXSTC, FLSTF, FLSTSB and FLSTFB without ABS	18 x 6.0 in	2	1	0	0	*	*	0	
Installation kits are designed to work with many different wheel styles and fitments. Contact a Harley-Davidson dealer to verify that the wheel and installation kits are both designed and approved for the motorcycle they are being installed on. NOTES: * See NOTE above valve installation step in INSTALLATION to determine which valve stem to use for your particular kit. Discard other valve stem(s). ** See NOTES for your wheel kit above the wheel assembly step in INSTALLATION to determine which bearing shim to use for your particular wheel kit and fitment. *** Bearing shim installed under primary bearing.		A	Bearing, regular (2)			9276			
		C	Axle sleeve			41696-08			
		D	Axle sleeve			41900-08			
		F	Bearing shim***			43904-08			
		H	Valve stem, short			43157-83A			
		I	Valve stem, long			43206-01			
		J	Valve stem, pull thru			40999-87			

Table 7. REAR 25 MM Bearing ABS Wheel Installation Kit (43077-11)

REAR 25 MM Bearing ABS Wheel Installation Kit (43077-11)		Item (Quantity Used and Description)						
Fitment	Wheel Size	A	B	C	D	H	I	
2011 and later FLSTN, FLSTC and FXS with ABS	16 x 3.0 in	1	1	0	1	*	*	
2011 and later FXST, FLSTF and FLSTFB with ABS	17 x 6.0 in	1	1	0	1	*	*	
2011 and later FXST, FLSTF and FLSTFB with ABS	18 x 6.0 in	1	1	0	1	*	*	
2011 and later FXCWC with ABS	18 x 8.0 in	1	1	1	0	*	*	
Installation kits are designed to work with many different wheel styles and fitments. Contact a Harley-Davidson dealer to verify that the wheel and installation kits are both designed and approved for the motorcycle they are being installed on. NOTES: * See NOTE above valve installation step in INSTALLATION to determine which valve stem to use for your particular kit. Discard other valve stem(s). ** Primary bearing. Bearing must be installed with red side facing the wheel.		A	Bearing, regular			9276		
		B	Bearing, ABS**			9252		
		C	Axle sleeve			41358-08		
		D	Axle sleeve			41696-08		
		H	Valve stem, short			43157-83A		
		I	Valve stem, long			43206-01		

Table 8. REAR 25 MM Bearing ABS Wheel Installation Kit (42400003)

REAR 25 MM Bearing ABS Wheel Installation Kit (42400003)		Item (Quantity Used and Description)							
Fitment	Wheel Size	A	B	C	F	H	I	J	
2008 and later FXDF	16 x 5.0 in	1	1	1	0	*	*	*	
2008 and later Dyna (except FXDF and FLD)	17 x 4.5 in	1	1	1	1	*	*	*	
2012 FLD	17 x 4.5 in	1	1	1	0	*	*	*	
2008 and later FXDF	18 x 6.0 in	1	1	1	0	*	*	*	
Installation kits are designed to work with many different wheel styles and fitments. Contact a Harley-Davidson dealer to verify that the wheel and installation kits are both designed and approved for the motorcycle they are being installed on. NOTES: * See NOTE above valve installation step in INSTALLATION to determine which valve stem to use for your particular kit. Discard other valve stem(s). ** Primary bearing. Bearing must be installed with red side facing the wheel.		A	Bearing, regular			9276			
		B	Bearing, ABS**			9252			
		C	Axle sleeve			43905-08			
		F	Bearing shim			43904-08			
		H	Valve stem, short			43157-83A			
		J	Valve stem, pull-thru			40999-87			