



INSTRUCTIONS

-J04661

2009-09-29

VRSC CLUTCH KIT

GENERAL

Kit Number

37938-08KA

Models

For model fitment information, see the P&A Retail Catalog or the Parts and Accessories section of www.harley-davidson.com (English only).

Additional Parts Required

Clutch Hub Holder (HD-45318), for removing 2007 and earlier clutch

Clutch Hub Holder (HD-48625), for installing 2008 clutch

Crankshaft Rotating Wrench (HD-45314)

Clutch Hub Alignment Tool (HD-45654)

Gasket Alignment Dowels (HD-45340)

Clutch Hub Nut (HD-8008M)

▲ WARNING

The rider's safety depends upon the correct installation of this kit. Use the appropriate service manual procedures. If the procedure is not within your capabilities or you do not have the correct tools, have a Harley-Davidson dealer perform the installation. Improper installation of this kit could result in death or serious injury. (00333a)

NOTE

This instruction sheet references service manual information. A service manual for your model motorcycle is required for

this installation and is available from a Harley-Davidson Dealer.

Kit Contents

See Figure 2 and Table 1.

INSTALLATION

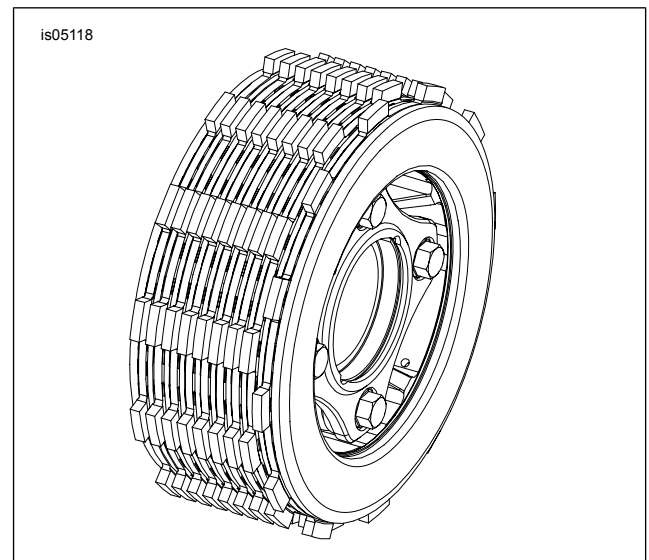


Figure 1. Preassembled Clutch Pack from Kit

1. Refer to CLUTCH in service manual to remove old clutch assembly and to install new clutch assembly. If this kit is being installed on a 2007 or earlier model a 2008 service manual will also be needed for installation procedures. For removal see 2007 and earlier manuals for proper removal procedures. See 2008 VRSC service manual for proper installation procedures and torque specifications.



SERVICE PARTS

is05117

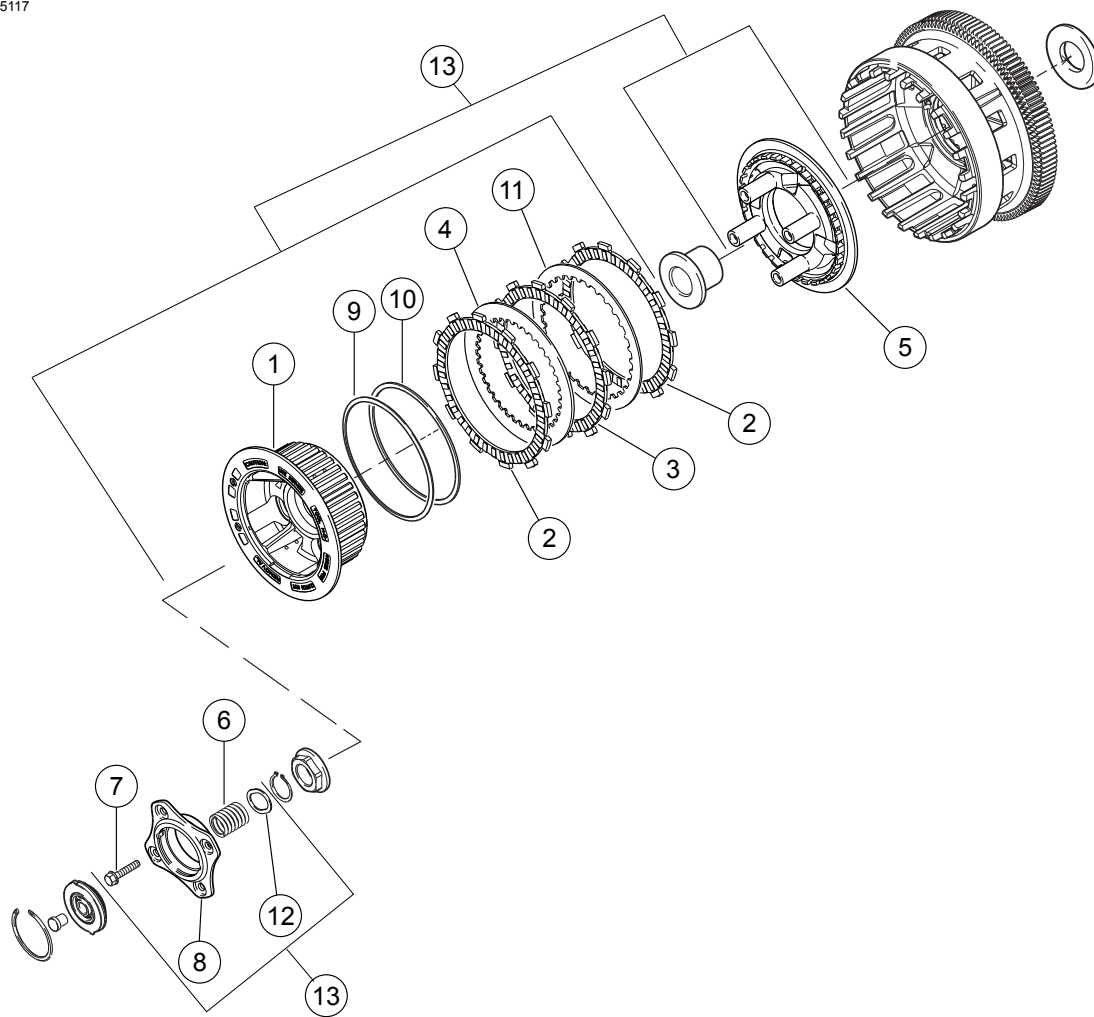


Figure 2. Service Parts: VRSC Clutch Kit

Table 1. Service Parts Table

Kit	Item	Description (Quantity)	Part Number
Kit 37938-08KA VRSC Clutch Kit	1	Clutch hub	36701-08KA
	2	Clutch friction plate (2)	36713-01K
	3	Clutch friction plate (7)	36720-08K
	4	Clutch plate (7)	36702-08K
	5	Clutch pressure plate	36704-08KA
	6	Clutch spring (4)	36705-08K
	7	Flange bolt (4)	36706-08K
	8	Lifter plate	36710-08K
	9	Damper spring seat	36711-08K
	10	Damper spring	36712-08K
	11	Clutch plate	38841-08K
	12	Spring seat (4)	38842-08K
	13	Items included in clutch kit	