



INSTRUCTIONS

-J05664

2012-11-01

SCREAMIN' EAGLE CLUTCH (DERBY) COVER SPACER KIT

GENERAL

Kit Number

37000123

Models

This kit is required to install Screamin' Eagle® Variable Pressure Clutch (Part No. 37000121) on 1999 and later Evolution 1340 and Twin Cam-equipped models equipped with accessory clutch (derby) covers that require additional running clearance. See the Variable Pressure Clutch kit for template and instructions.

Additional Parts Required

Separate purchase and installation of additional parts or accessories may be required for proper installation of this kit on your model motorcycle. See the P&A Retail Catalog or the Parts and Accessories section of www.harley-davidson.com (English only) for a list of required parts or accessories for your model.

⚠ WARNING

The rider's safety depends upon the correct installation of this kit. If the procedure is not within your capabilities or you do not have the correct tools, have a Harley-Davidson dealer perform the installation. Improper installation of this kit could result in death or serious injury. (00308a)

Kit Contents

See Figure 1 and Table 1.

INSTALLATION

1. See Figure 1. Remove clutch cover and discard seal. Install Variable Pressure Clutch according to the instructions included in that kit. However, instead of using a stock clutch cover gasket or seal, install the spacer and two gaskets from this kit and secure with the screws from this kit.
2. Alternately tighten screws to 9.5–12.2 N·m (84–108 in-lbs).

SERVICE PARTS

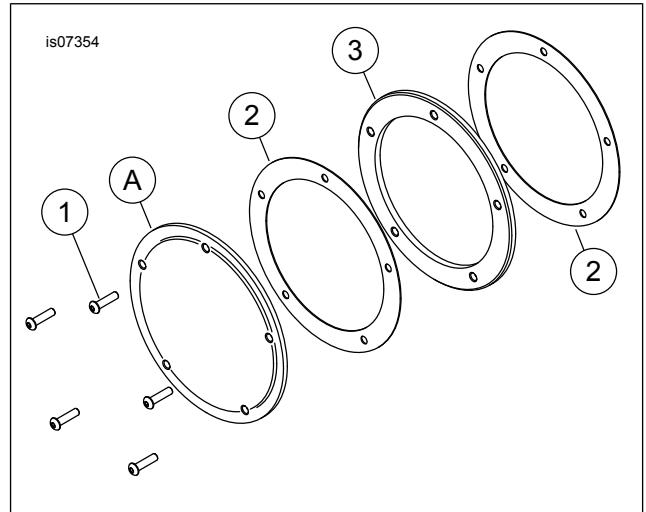


Figure 1. Service Parts: Screamin' Eagle Clutch (Derby) Cover Spacer Kit

Table 1. Service Parts

Item	Description (Quantity)	Part Number
1	Button head screw, 1/4-20 X 1 in (5)	94595-98
2	Gasket (2)	25700334
3	Spacer	Not Sold Separately
Items mentioned in text, but not included in kit.		
A	Clutch cover	