



INSTRUCTIONS

-J03674

REV. 2006-09-26

CHROME TRANSMISSION HARDWARE KIT

GENERAL

Kit Number

34856-06

Models

For model fitment information, please see the P&A Retail Catalog or the Parts and Accessories section of www.harley-davidson.com (English only).

NOTE

This instruction sheet references Service Manual information. A Service Manual for your model motorcycle is required for this installation and is available from a Harley-Davidson dealer.

Additional Parts Required

The screws are shipped with threadlocker applied. If replacement screws are ordered, apply Loctite® 243 (Blue) 99642-97 to the threads before installing.

Kit Contents

See Figure 1 and Table 1.

Table 1. Kit Contents

Description (Quantity)	Part Number
Screw, hex socket head, 1/4-20 x 1 in. (chrome) (8)	94314-91ts
Screw, hex socket head, 1/4-20 x 1-1/2 in. (chrome) (4)	94316-91ts
Washer, flat (chrome) (12)	94062-03

INSTALLATION

WARNING

To prevent accidental vehicle start-up, which could cause death or serious injury, disconnect negative (-) battery cable before proceeding. (00048a)

1. Disconnect battery cable, negative (-) cable only.

NOTE

The starter does not need to be removed to install this kit.

2. Remove exhaust system only if needed to access transmission top cover hardware. Refer to Service Manual for instructions.

NOTES

Replace existing zinc hardware with chrome-plated hardware one at a time so the transmission top and side covers do not need to be replaced.

3. Remove and discard existing six 1/4-20 x 1 in. hex socket head screws and washers from top transmission cover. Install six chrome hex socket head screws (1) and washers (2) on top transmission cover (3). Tighten to 84-108 **in-lbs** (9.5-12.2 Nm).
4. Remove and discard existing two 1/4-20 x 1 in. hex socket head screws and washers from side transmission cover. Install two chrome hex socket head screws (1) and washers (2) on side transmission cover (5). Tighten to 84-108 **in-lbs** (9.5-12.2 Nm).
5. Remove and discard existing four 1/4-20 x 1-1/2 in. hex socket head screws and washers from side transmission cover. Install four chrome hex socket head screws (4) and washers (2) on transmission side cover (5). Tighten to 84-108 **in-lbs** (9.5-12.2 Nm).
6. Install exhaust system if previously removed. Refer to Service Manual for instructions.
7. Connect negative (-) battery cable.

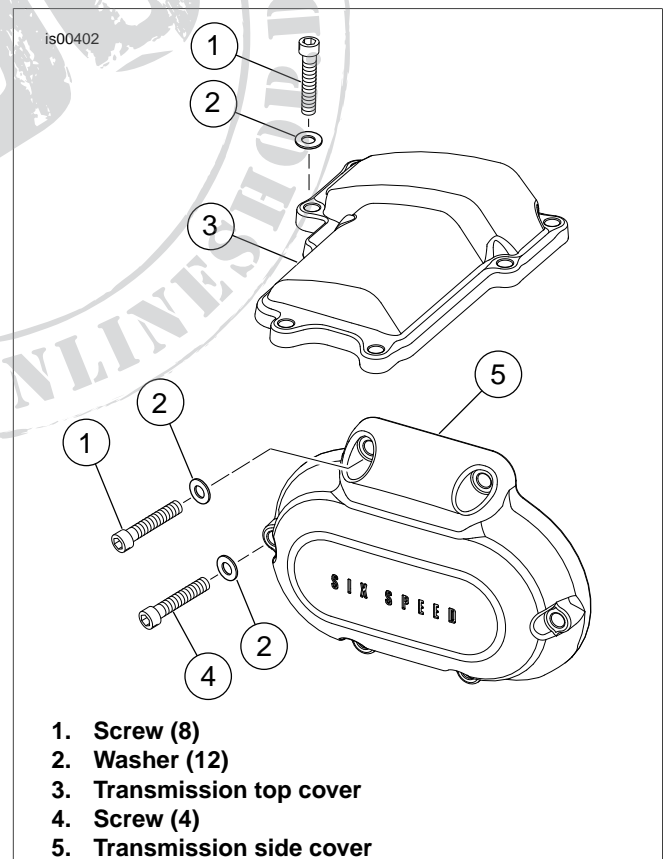


Figure 1. Transmission Top and Side Cover