



INSTRUCTIONS

-J05642

2012-06-15

BURST COLLECTION CLUTCH COVER KIT

GENERAL

Kit Number

34800012

Models

For model fitment information, see the P&A Retail Catalog or the Parts and Accessories section of www.harley-davidson.com (English only).

Additional Parts Required

Separate purchase of gasket (Part No. 36805-06) is required for installation of this kit.

Separate purchase of Loctite® 243 (Blue) (Part No. 99642-97) is required for installation of this kit.

Separate purchase of the appropriate transmission lubricant is required (refer to service manual).

See a Harley-Davidson dealer for additional information.

▲ WARNING

The rider's safety depends upon the correct installation of this kit. Use the appropriate service manual procedures. If the procedure is not within your capabilities or you do not have the correct tools, have a Harley-Davidson dealer perform the installation. Improper installation of this kit could result in death or serious injury. (00333a)

NOTE

This instruction sheet references service manual information. A service manual for your model motorcycle is required for this installation and is available from a Harley-Davidson dealer.

Kit Contents

See Figure 1 and Table 1.

INSTALLATION

▲ WARNING

To prevent accidental vehicle start-up, which could cause death or serious injury, disconnect negative (-) battery cable before proceeding. (00048a)

1. Disconnect battery cable, negative (-) cable only.
2. Remove exhaust system only if needed to access hardware. Refer to service manual for instructions.
3. Drain transmission and dispose of lubricant in accordance with local regulations.
4. See Figure 1. Remove and discard six original equipment (OE) screws and washers from clutch cover.

5. Remove clutch cover. Remove and discard gasket. See service manual for instructions.
6. Install **new** gasket and clutch cover.
7. Install six chrome hex socket head screws (1) and washers (2). Refer to service manual for torque sequence and tighten to 84-108 **in-lbs** (9.5-12.2 Nm).
8. Fill transmission with appropriate lubricant. See service manual.
9. If removed, install exhaust system. See service manual.
10. Connect negative battery cable.

SERVICE PARTS

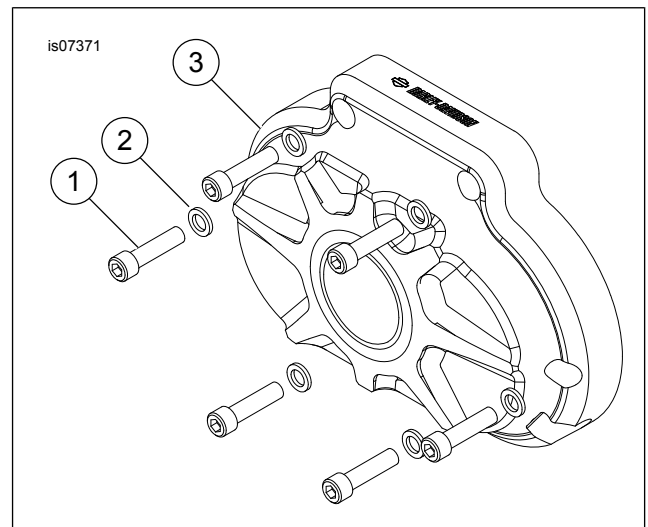


Figure 1. Service Parts: Burst Collection Clutch Cover

Table 1. Service Parts: Burst Collection Clutch Cover

Item	Description (Quantity)	Part Number
1	Screw, hex socket head, 1/4-20 x 1 inch, chrome (6)	94314-91TS
2	Washer, flat chrome (6)	94062-03
3	Clutch cover	34800013