



# INSTRUCTIONS

-J03120

REV. 2004-04-01

## SKULL SHIFTER PEG/ HEEL REST PAD KITS

### GENERAL

#### Kit Numbers

34699-04 and 34689-04.

#### Models

**Shifter Peg Kit, Part Number 34689-04** is designed for installation on all model Harley-Davidson motorcycles.

**Heel Rest Pad Kit, Part Number 34699-04** is designed for installation on all models equipped with a Heel Rest Kit, Part Number 50227-01 or 50236-01.

#### Kit Contents

See Figure 1 and Table 1.

#### NOTES

*The heel rest and shifter peg rubber treads and spacer tubes come installed in the chrome covers.*

*The screw (item 6) has a lock patch to prevent loosening. If a heel rest or shifter peg is removed for any reason, use a new screw or apply a few drops of Loctite® 243 (blue) to the screw threads before re-installation.*

### INSTALLATION

#### Shifter Peg

1. Remove and discard the original equipment shifter peg. If needed, use a heat gun to apply heat to the shift lever and shifter peg threads to aid in peg removal.
2. See Figure 1. Using the screw (5), attach the peg (1) and tread (3) assembly to the shift lever. Tighten the screw to 12-14 ft-lbs (16.3-19 Nm).

#### Heel Rests

#### NOTE

*The chrome heel rest covers are side-specific. For best appearance, install so the HARLEY-DAVIDSON text is **above** the skull, and the MOTORCYCLES text **below**.*

1. See Figure 1. Using the screws (5), attach the left-side heel rest (1) and tread (3) assembly to the left-side heel rest lever. Tighten the screw to 12-14 ft-lbs (16.3-19 Nm).
2. Repeat for the right-side heel rest (2) and tread assembly.

## SERVICE PARTS

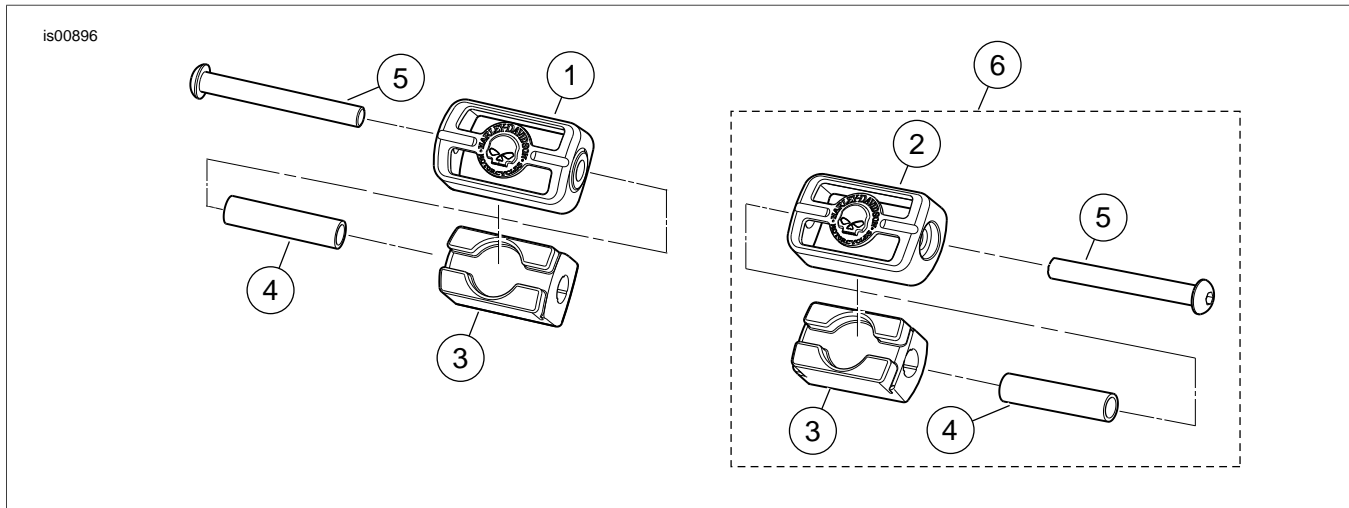


Figure 1. Service Parts, Skull Shifter Peg/ Heel Rest Kits

Table 1. Service Parts Table

| Kit                               | Item | Description (Quantity)                      | Part Number         |
|-----------------------------------|------|---|---------------------|
| Kit 34699-04<br>Heel Rest Pad Kit | 1    | Heel rest cover (chrome) (left)             | Not Sold Separately |
|                                   | 2    | Heel rest cover (chrome) (right)            | Not Sold Separately |
|                                   | 3    | Tread, heel rest (2)                        | 34698-04            |
|                                   | 4    | Spacer tube (2)                             | 50784-97            |
|                                   | 5    | Screw, hex socket, button head (chrome) (2) | 94545-03            |
| Kit 34689-04<br>Shifter Peg Kit   | 2    | Shifter peg cover (chrome)                  | Not Sold Separately |
|                                   | 3    | Tread, shifter peg                          | 34698-04            |
|                                   | 4    | Spacer tube                                 | 50784-97            |
|                                   | 5    | Screw, hex socket, button head (chrome)     | 94545-03            |
| <b>Also available:</b>            |      |   |                     |
| 34703-04<br>Heel rest (right)     | 6    | Assembly of Items 2, 3, 4 and 5             |                     |