



INSTRUCTIONS

-J04515

REV. 2008-10-31

TRIBAL SHIFTER PEG KIT

GENERAL

Kit Number

34669-09

Models

For model fitment information, see the P&A Retail Catalog or the Parts and Accessories section of www.harley-davidson.com (English only).

Kit Contents

See Figure 1 and Table 1.

NOTE

A service manual for your motorcycle is available at your Harley-Davidson dealer.

WARNING

The rider's safety depends upon the correct installation of this kit. If the procedure is not within your capabilities or you do not have the correct tools, have a Harley-Davidson dealer perform the installation. Improper installation of this kit could result in death or serious injury. (00308a)

INSTALLATION

1. Remove and discard existing shifter peg. If necessary, apply heat with a heat gun to shift lever threads and threads on shifter peg to aid peg removal.

NOTE

See Figure 1. Shifter peg casting (1), tread (2) and spacer tube (3) come pre-assembled in kit.

2. See Figure 1. Install shifter peg assembly to shift lever with screw (4). Orient pattern to desired position and tighten screw to 16.3-19 Nm (12-14 ft-lbs).

SERVICE PARTS

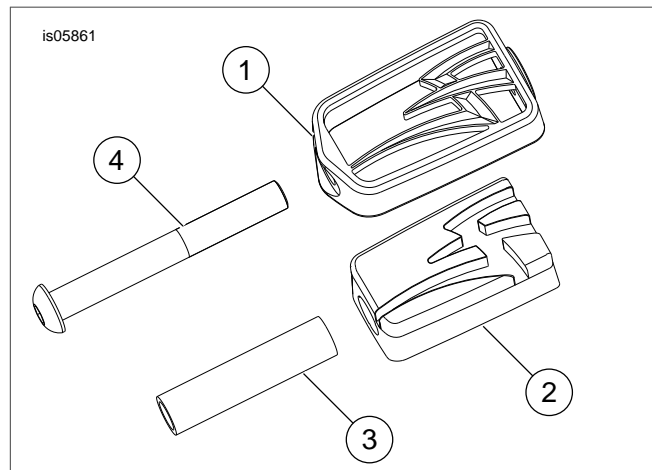


Figure 1. Service Parts: Tribal Shifter Peg

Table 1. Service Parts Table

Item	Description (Quantity)	Part Number
1	Casting shifter peg	Not Sold Separately
2	Tread, shifter peg	Not Sold Separately
3	Spacer tube	50784-97
4	Screw, hex socket, button head (with lock patch)	4926

