



# INSTRUCTIONS

-J02607

REV. 2005-12-01

## HEEL/TOE SHIFT LEVER KITS

### GENERAL

#### Kit Number

34535-00B, 34558-05A

#### Models

These kits are designed for installation on 1988 and later Touring and 1986 and later FL Softail Model Motorcycles.

#### Kit Contents

See Figure 1 and Table 1.

### INSTALLATION

#### NOTE

*The shift levers in these kits have opposite counter-bored screw holes. When positioned correctly, the socket head cap screws will be installed from the bottom of both the toe and heel levers.*

1. Before removing original shift levers, note the orientation. You may want to replace them at the same position and angle.

#### NOTE

*The original equipment shift levers may have the socket head screws that secure the shift levers to the splined shifter shaft*

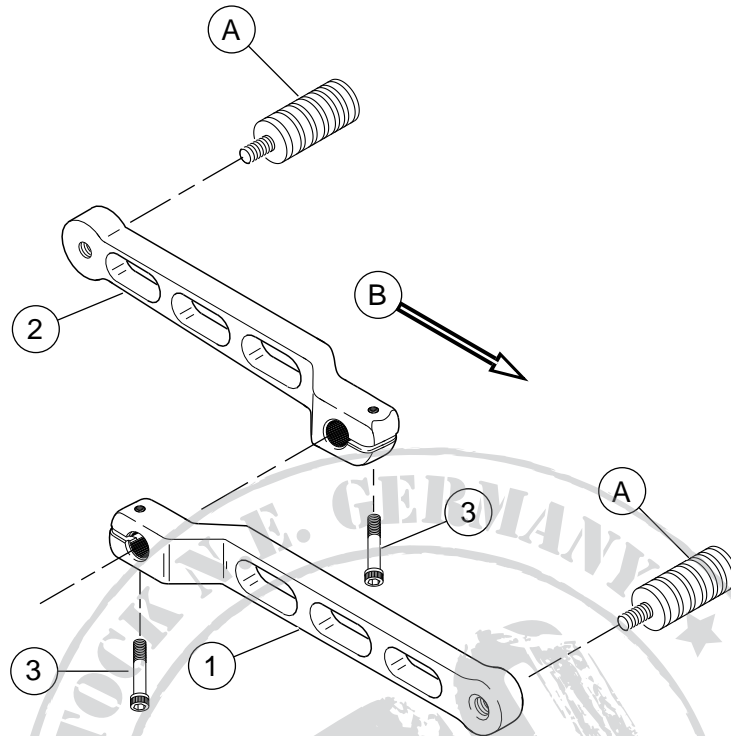
*installed from the top or bottom, depending on your model motorcycle.*

2. See Service Parts illustration. Remove the original equipment shifter pegs (A) and retain for reattachment to the new levers if desired. Remove the socket head screws (3) that clamp the shift levers onto the splined shifter shaft. Remove original equipment shift levers.
3. Beginning with the toe shifter lever (1), position it so counter-bored screw hole is at the bottom. Slide toe shifter lever onto splined shifter shaft and position to desired angle. Aligning screw hole with notch on shaft.
4. Install the heel shift lever (2) with the counterbore in the bottom position.
5. Add a few drops of Loctite® 243 (blue) (Harley-Davidson part number 99642-97) to the socket head screws (3), and insert into counter-bored holes. Tighten to 24-26 ft-lbs (32-35 Nm).
6. Install shifter pegs onto new shift levers. If using original pegs, place a few drops of Loctite 243 (blue) onto screw threads prior to installation. Tighten shifter peg screws.
7. Check for proper operation and clearance.

# SERVICE PARTS

See Figure 1 and Table 1.

is02122



**Figure 1. Service Parts: Shift Lever Kit (Billet Style Shown)**

**Table 1. Service Parts Table**

Item	Description (Quantity)	Part Number
<b>Kit Number 34535-00B</b>		
1	Billet shift lever (toe)	34532-02
2	Billet shift lever (heel)	34568-02
3	Hex socket head cap screw (2)	94332-91T
<b>Kit Number 34558-05A</b>		
1	Buckshot shift lever (Toe) (not shown)	33742-05A
2	Buckshot shift lever (Heel) (not shown)	33747-07
3	Hex socket head cap screw (2)	94332-91T
<b>Items mentioned in text, but not included in kit:</b>		
A	Shifter peg (2)	
B	Front of motorcycle	