



INSTRUCTIONS

-J03166

REV. 06-10-04

Kit Number 33946-05

CUSTOM SHIFTER PEG KIT

General

This kit is designed for installation on all model motorcycles.

NOTE

Will NOT fit slotted chrome shift lever for VRSC (Kit Part Number 39555-01)

See Service Parts Illustration for kit contents.

Installation

NOTE

A Service Manual for your motorcycle is available at any Harley-Davidson Dealer.

1. See Service Parts Illustration. Insert spacer tube (2) in the tread (3).
2. Place the tread with spacer tube insert into the chrome cover (4) making sure Bar and Shield is in proper orientation.
3. Secure tread to trim using screw (1) from left side of peg. Tighten screw to 144-168 **in-lbs** (16.3-18.9 Nm).



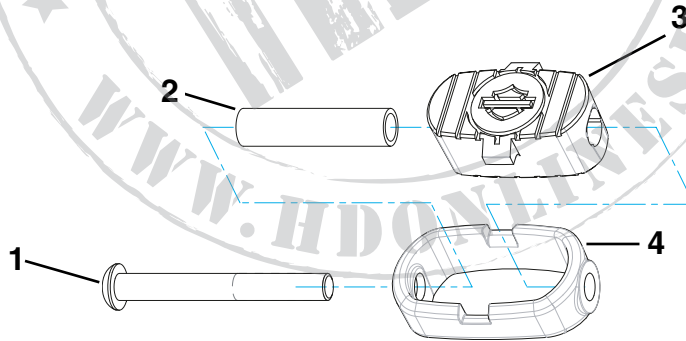
Service Parts

Part Number 33946-05

Date 06/04

Custom Shifter Peg Kit

i06472



Item	Description/Qty	Part Number
1	Cap screw	94545-03
2	Spacer tube	50784-97
3	Tread	33949-05
4	Chrome cover	33947-05