



# INSTRUCTIONS

-J04714

2011-11-02

## ALUMINUM SHIFTER LINKAGE

### GENERAL

#### Kit Numbers

33745-09, 33760-09, 33761-09, 33762-09, 33801-09, 33807-09, 33823-09, 33838-09, 33840-09, 33851-09, 33854-09, 33857-09, 33884-09, 33915-09, 33917-09, 34018-08, 34604-09, 34848-09, 34850-09, 33900103, 33900134

Table 1. Lever Style by Model and Year

Year:	Model:	Lever Style:	
		Straight	Off-set
1998 and earlier	All Dyna <sup>®</sup> , Touring, Softail <sup>®</sup>	X	
	All Dyna, all Touring	X	
1999	Softail <b>except</b> FLSTS	X	
	FLSTS models		X
2000	All Dyna, all Touring	X	
	Softail <b>except</b> FXSTD, FLSTF, FLSTS	X	
	FXSTD, FLSTF, FLSTS		X
2001 and later	All Dyna, Touring, Softail		X

#### Models

For model fitment information, see the P&A Retail Catalog or the Parts and Accessories section of [www.harley-davidson.com](http://www.harley-davidson.com) (English only).

#### Kit Contents

See Figure 1 and Table 2.

#### Additional Parts Required

Separate purchase of LOCTITE<sup>®</sup> 243 Threadlocker and Sealant - Blue (99643-97) is required for proper installation of this kit. LOCTITE can be purchased from any Harley-Davidson dealer.

### ▲ WARNING

The rider's safety depends upon the correct installation of this kit. If the procedure is not within your capabilities or you do not have the correct tools, have a Harley-Davidson dealer perform the installation. Improper installation of this kit could result in death or serious injury. (00308a)

### REMOVAL

- See Figure 1. Remove stock shifter rod (D).
- Adjust new shifter rod in kit to match the length of the removed shifter rod by loosening locknuts (3), adjusting the length of the rod, then tightening locknuts to 27–32 N·m (20–24 ft-lbs).
- For models with a straight rear shifter rod lever:** Discard spacer (7). Place cover (1) over the shifter rod lever (C). **For models with an offset rear shifter rod lever:** Place spacer (7) and cover (1) over the shifter rod lever (C). Kits 33900103 and 33900134 do not include shifter rod lever cover (item 1).

### INSTALLATION

- Apply Loctite<sup>®</sup> 243 to threads of capscrew (5) and install cap screw through the rear of the shifter rod and into the shifter rod lever. Tighten cap screw to 18–22 N·m (13–16 ft-lbs).
- For 1999 and later FLHT, FLHX, FLHR, and FXDWG models:** Place the rod end on the outside of the shifter lever, then apply Loctite<sup>®</sup> 243 to the threads of capscrew (5). Attach the front of the shifter rod (6) to the shifter lever with capscrew (5) and acorn nut (4) (with acorn nut facing out). Tighten acorn nut (4) to 18–22 N·m (13–16 ft-lbs). **For all models except 1999 and later FLHT, FLHX, FLHR, and FXDWG:** Place the rod end on the inside of the shifter lever then apply Loctite<sup>®</sup> 243 to the threads of cap screw (5). Attach the front of the shifter rod (6) to the shifter lever with cap screw and acorn nut (4). Tighten acorn nut (4) to 18–22 N·m (13–16 ft-lbs).



# SERVICE PARTS

is00845b

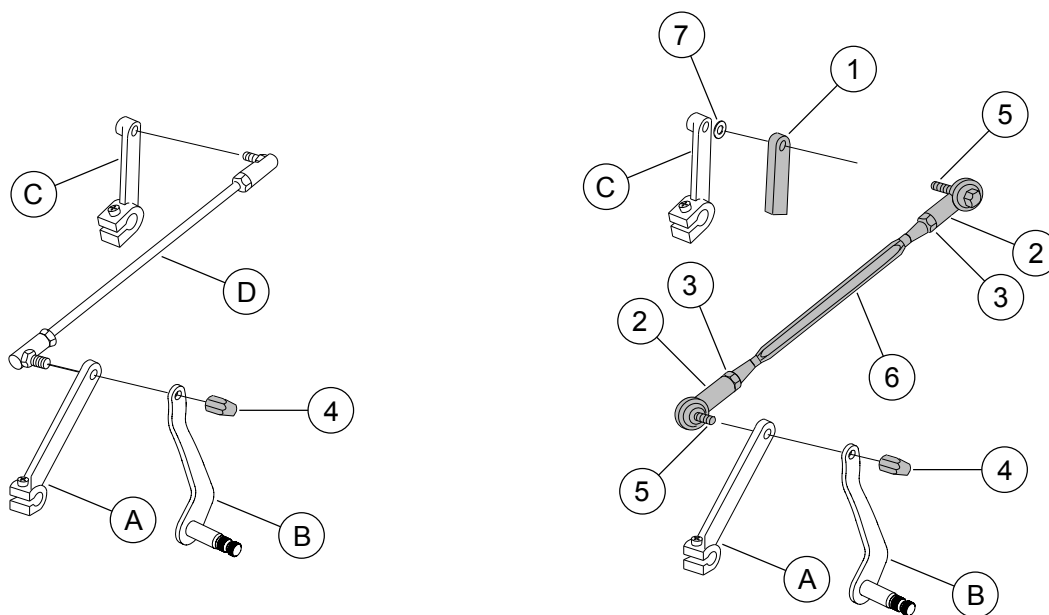


Figure 1. Service Parts: Aluminum Shifter Linkage

Table 2. Service Parts Table

Item	Description (Quantity)	Part Number
1	Shifter rod lever cover, polished Shifter rod lever cover, gloss black	33890-99A 34022-08
2	Self-aligning rod ends (2)	33899-08
3	Locknuts (2)	7326
4	Acorn nut	7904
5	Cap screw (2)	4192
6	Shifter rod	Not Sold Separately
7	Spacer (1999 FLSTS models, 2000 FXSTD, FLSTF and FLSTS models and all 2001 and later Dyna, Touring and Softail models)	5826
<b>Items not included in kits:</b>		
A	Original equipment shifter lever (Touring)	
B	Original equipment shifter lever (Dyna/Softail)	
C	Original equipment shifter rod lever (on transmission)	
D	Original equipment shifter rod	