



INSTRUCTIONS

-J02994

REV. 10-10-2003

Kit Number 33878-04

SHIFTER LINKAGE COVER

General

This "Harley-Davidson script"-style shifter-linkage cover kit fits 1997 and later FXDWG (Dyna Wide Glide®) model motorcycles. This kit also fits 1993 and later Dyna models equipped with Forward Control Kit 49080-03.

NOTE

A Service Manual for your model motorcycle is available from any Harley-Davidson dealer.

Installation

1. See the Service Parts illustration. Obtain an upper mounting bracket (2), lower mounting bracket (3), two 1/2-inch long screws and the Allen wrench (6) from the kit.
2. See Figure 1. Assemble the upper and lower mounting brackets onto the shaft of the ball screw shell at one end of the shifter rod (1), between the ball screw (3) and the jam nut (2) so the shaft passes above the three holes in the brackets.
Insert the two screws in the outboard holes of the lower bracket, and use the Allen wrench to thread them part way into the holes in the upper bracket. Do not fully tighten the screws at this time.
3. Repeat Steps 1 and 2 at the other end of the shifter rod.
4. Position the linkage cover (1) on top of the linkage and examine the fit.
 - If the cover fits properly, proceed to Step 8.
 - If the center holes in the front and rear upper mounting brackets cannot be adjusted to line up with the holes on the inboard side of the cover, the linkage will need to be adjusted to accept the cover. Proceed to Step 5.
5. See Figure 1 (below) and SHIFTER LINKAGE ADJUSTMENT in the Service Manual. To adjust the length of the linkage, remove the link attaching nut (5) and flat washer at the forward ball screw.
6. Loosen the jam nut (2) at the front end of the shifter rod, and remove the mounting bracket installed in Step 3. Rotate the forward ball screw shell to achieve the proper length to allow mounting of the cover.
7. Re-attach the ball screw to the shifter lever with the flat washer and nut removed in Step 5. Torque the nut on the ball stud to 70-90 in-lbs (7.9-10.2 Nm).
Torque the jam nut on the shifter rod to 20-24 ft-lbs (27.1-32.5 Nm).
8. Fasten the rear of the cover (1) to the rear upper bracket using a short screw (5) from the kit. Fasten the front of the cover to the front bracket with the remaining screw.
Tighten the cover securely to the upper brackets. Position the cover upright over the shifter rod, and tighten the four remaining screws to clamp the brackets securely to the ball screw shells.
9. If the linkage needed adjustment (Steps 5 through 7), the position of the shift foot lever (6) may have changed.
To return the lever to the original position, loosen the socket head screw (7) holding the lever to the shaft. Pull the lever from the shaft, rotate to the desired angle and slide the lever back onto the shaft.
Torque the screw to 18-22 ft-lbs (24.4-29.8 Nm).

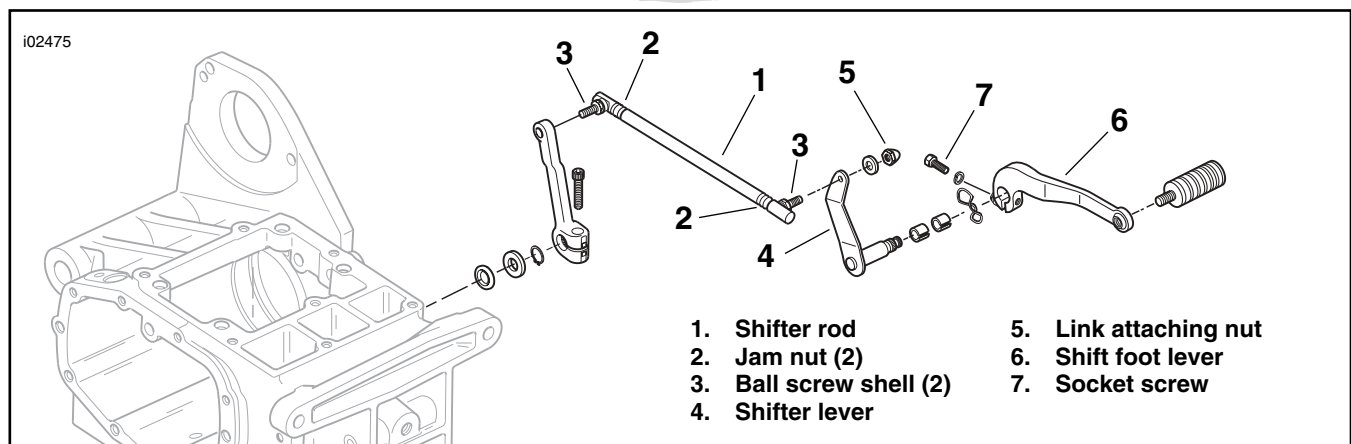


Figure 1. Stock Shifter Linkage



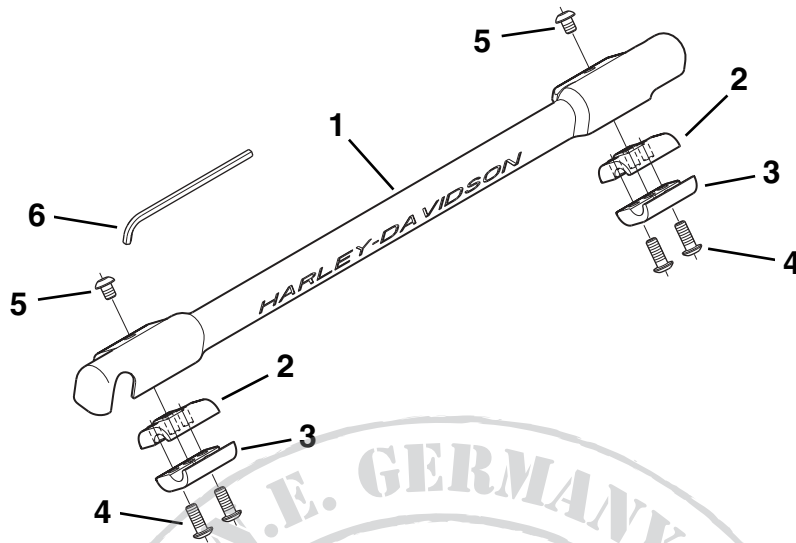
Service Parts

Part No. 33878-04

Date 10/03

Shifter Linkage Cover

i02476



Item	Description (Quantity)	Part No.
1	Linkage cover	Not sold separately
2	Mounting bracket (upper) (2)	33879-04
3	Mounting bracket (lower) (2)	33880-04
4	Screw, button head, hex socket, #10-24 x 1/2 in (4)	94381-92T
5	Screw, button head, hex socket, #10-24 x 1/4 in (2)	3339
6	Allen wrench, 1/8 in	Not sold separately