



# INSTRUCTIONS

-J03166

2016-08-22

## SHIFTER PEG KIT

### GENERAL

#### Kit Number

33946-05, 33600008, 33600075, 33600154

#### Models

For model fitment information, see the P&A Retail Catalog or the Parts and Accessories section of [www.harley-davidson.com](http://www.harley-davidson.com) (English only).

#### ▲ WARNING

The rider's safety depends upon the correct installation of this kit. If the procedure is not within your capabilities or you do not have the correct tools, have a Harley-Davidson dealer perform the installation. Improper installation of this kit could result in death or serious injury. (00308a)

#### Kit Contents

See Figure 1 and Table 1.

### INSTALLATION

1. Remove existing shifter peg.
2. See Figure 1. **For Kits 33946-05 and 33600008:** Assemble shifter peg, if necessary:
  - a. Insert spacer tube (1) in the tread (3).
  - b. Install the tread with spacer tube insert into the chrome cover (2). Verify that the tread is oriented properly.
3. **For Kits 33946-05 and 33600008:** Install shifter peg assembly and screw (4) to shift lever. Do not tighten. **For Kits 33600075 and 33600154:** Install shifter peg assembly using and screw (4) and washer (5). Position washer between shifter peg and shift lever. Do not tighten.
4. Rotate the shifter peg to the desired orientation.
5. Tighten screw to 16.3–18.9 N·m (144–168 in-lbs).

### SERVICE PARTS

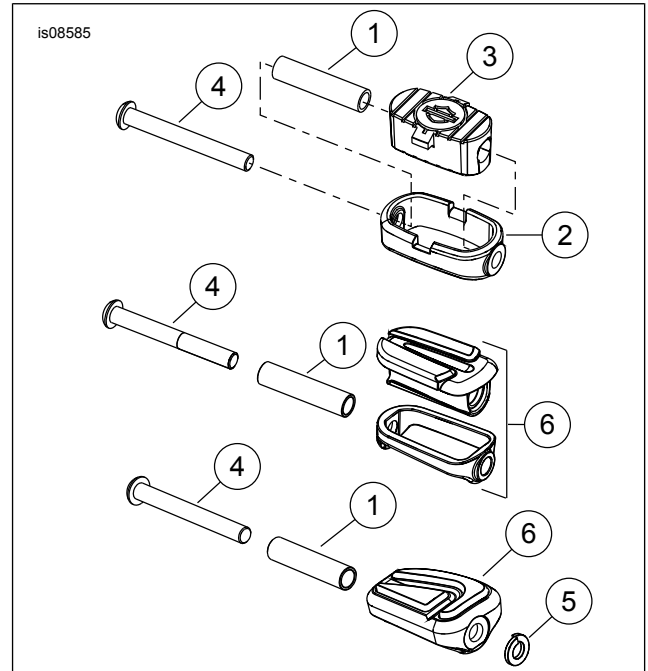


Figure 1. Shifter Peg Kit

Table 1. Service Parts

Item	Description (Quantity)	Part Number
1	Spacer (Bar & Shield)	50784-97
	Spacer (Slipstream)	12400026
	Spacer (Airflow)	12400026
2	Cover (Bar & Shield)	33947-05
	Cover (Slipstream)	Not Sold Separately
	Cover (Airflow)	Not Sold Separately
3	Tread (all Kits)	Not Sold Separately
4	Screw (Bar & Shield, Slipstream)	94545-03
	Screw (Slipstream)	94545-03
	Screw (Airflow)	4196
5	Lockwasher (Airflow only)	7041
6	Shifter Peg Assembly (Bar & Shield, Slipstream)	Not Sold Separately
	Shifter Peg Assembly (Slipstream)	33600007
	Shifter Peg Assembly (Airflow)	33600056
	Shifter Peg Assembly (Black Airflow)	33600098

