



# INSTRUCTIONS

-J03055

REV. 2006-05-06

## CLUTCH-CABLE CONNECTOR COVER KIT

### GENERAL

#### Kit Number

32875-04

#### Models

This kit fits 1999-2006 Touring, 2000-2006 Softail, and 1999-2005 Dyna models (except models equipped with hydraulic clutch). Does not fit with braided or diamond back clutch cables.

#### Kit Contents

See Figure 1 and Table 1.

There are no Service Parts available with this kit.

### INSTALLATION

1. See Figure 1. Position the inner (2) and outer (1) halves of the clutch cable connector cover over the clutch cable as shown, with the tapered end away from the clutch release cover (A).
2. Insert the screws (3) through the counterbored holes in the outer half, threading them into the mating holes in the inner half. Do not tighten the screws at this time.
3. Slide the clutch cable cover assembly toward the clutch release cover (A), positioning it over the clutch cable fitting and rotating for best fit against the release cover.
4. Tighten the screws securely.

### SERVICE PARTS

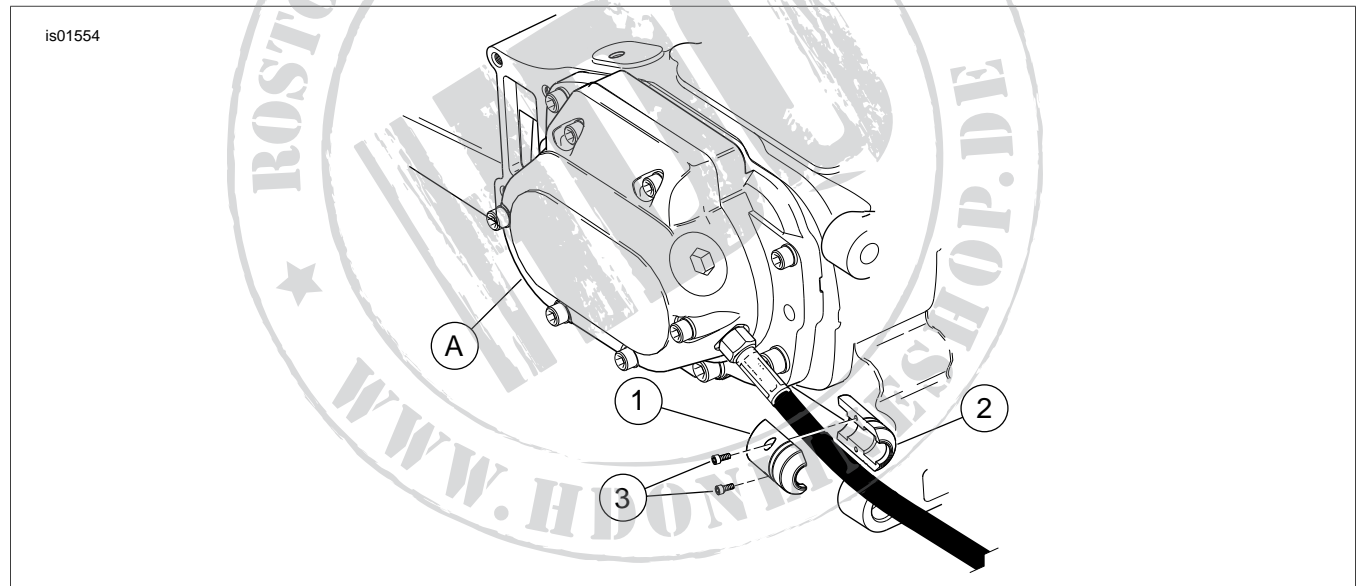


Figure 1. Service Parts: Clutch-Cable Connector Cover

Table 1. Service Parts Table

Item	Description (Quantity)	Part Number
1	Cover, clutch cable connector, outer half	Not Sold Separately
2	Cover, clutch cable connector, inner half	Not Sold Separately
3	Cap screw, socket head, #40-40, chrome (2)	Not Sold Separately
<b>Items mentioned in text, but not included in kit:</b>		
A	Clutch release cover	