



INSTRUCTIONS

-J03656

2015-02-13

TIMER COVER KITS

GENERAL

Kit Numbers

32972-04A, 32668-98A, 32581-90TB, 32571-98A, 32675-04A, 32584-88TA, 32520-10, 32541-10, 25600003, 25600009, 25600025, 25600027, 25600047, 25600060

Models

For model fitment information, see the P&A Retail Catalog or the Parts and Accessories section of www.harley-davidson.com (English only).

Kit Contents

See Figure 1 and Table 1, and Figure 2 and Table 2.

INSTALLATION

For All Kits

▲ WARNING

Disconnect negative (-) battery cable first. If positive (+) cable should contact ground with negative (-) cable connected, the resulting sparks can cause a battery explosion, which could result in death or serious injury. (00049a)

1. Disconnect negative battery (-) cable or remove main fuse.

For Kits 32972-04A, 32675-04A, 32520-10, 32581-90TB, 32541-10, 25600003, 25600009, 25600025, 25600027, 25600047 and 25600060

1. See Figure 2. Remove and discard the original screws and timer cover.
2. Place new timer cover (1) in position and secure with chrome screws (2).

For Kits 32584-88TA, 32668-98A and 32571-98A

NOTE

To make the cam position sensor tamper-proof, follow Steps 2 and 3. If the cam position sensor is not required to be tamper-proof, skip Steps 2 and 3.

1. Use a 3/8 inch drill bit and remove the heads from the original timer cover rivets. Remove original timer cover.

NOTE

If the inner timer cover has been riveted in place and access to the cam position sensor is required, use a left side drill and carefully remove the rivet heads. If a right side drill is used, the sensor plate screw heads could break off when trying to remove the rivet.

2. Remove and discard inner cover retaining screws. Leave gasket (if equipped) and inner cover in position.
3. See Figure 1. Place washers (4) over rivets (3) and place rivets into inner cover holes so the backs of the rivets go into the tapped holes for the sensor plate screws.
4. Use a standard rivet tool and install rivets, securing inner cover to sensor plate screws.
5. Use the self-tapping screw (5) to cut threads into the remaining inner cover holes. Discard screw after use.
6. Place new timer cover (1) in position over inner cover (A) and secure with chrome screws (2).

SPECIAL CARE INSTRUCTIONS

NOTE

To prevent damage to the chrome surface, do not use any detergents, chemical solvents, polishes or abrasive cleaning agents.

These Timer Covers are chrome-plated, with paint-filled accents.

To keep this surface in best condition, lightly wipe with a Harley-Davidson Microfiber cloth (94663-02) using clear water or a mild Harley-Davidson cleaner such as: Sunwash (94659-98), Bug Remover (94657-98) or Harley Gloss (94627-98).

NOTE

These cleaners are available from a Harley Davidson Dealer.

SERVICE PARTS

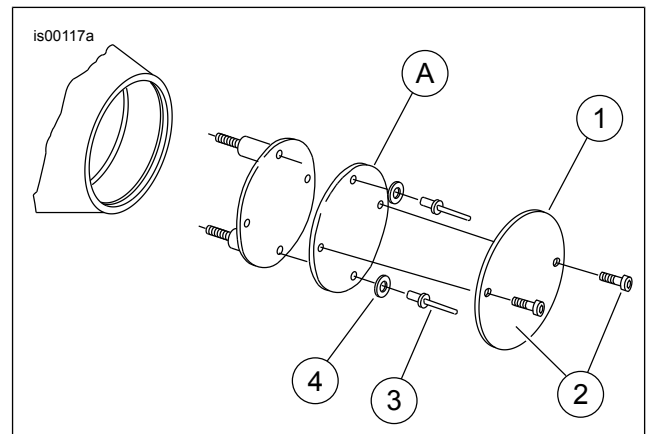


Figure 1. Timer Cover Kits: 32584-88TA, 32668-98A and 32571-98A

Table 1. Timer Cover Kits: 32584-88TA, 32668-98A and 32571-98A

Item	Description (Quantity)	Part Number
1	Timer cover	Not Sold Separately
2	Screw, button head, 10-32 x 0.25 inch chrome (2)	9463



Table 1. Timer Cover Kits: 32584-88TA, 32668-98A and 32571-98A

Item	Description (Quantity)	Part Number
3	Rivet (2)	8501
4	Rivet washer (2)	6335
5	Self-tapping screw (not shown)	3659
Items referenced in text, but not included in kit:		
A	Inner cover	

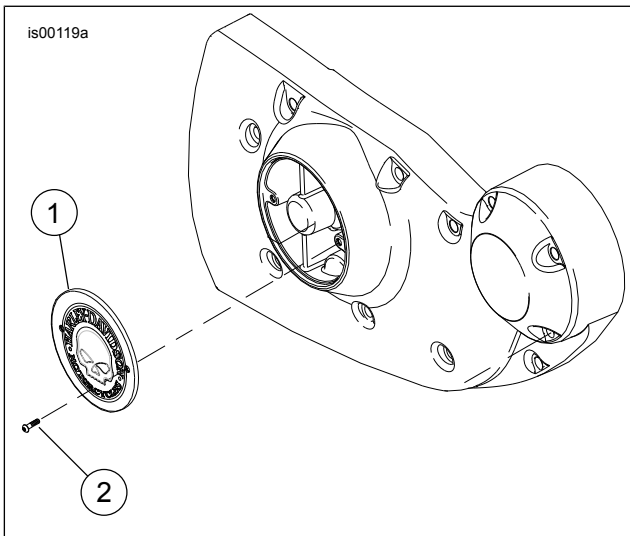


Figure 2. Timer Cover Kits: 32972-04A, 32675-04A, 32520-10, 32581-90TB, 32541-10, 25600003, 25600009, 25600025, 25600027

Table 2. Timer Cover Kits: 32972-04A, 32675-04A, 32520-10, 32581-90TB, 32541-10, 25600003, 25600009, 25600025, 25600027, 25600047, 25600060

Item	Description (Quantity)	Part Number
1	Timer cover	Not Sold Separately
2	Screw, TORX® chrome (2)	9462