



INSTRUCTIONS

-J03098

2006-04-08

CHROME SPORTSTER COIL COVER KIT

GENERAL

Kit Number

31767-04

Models

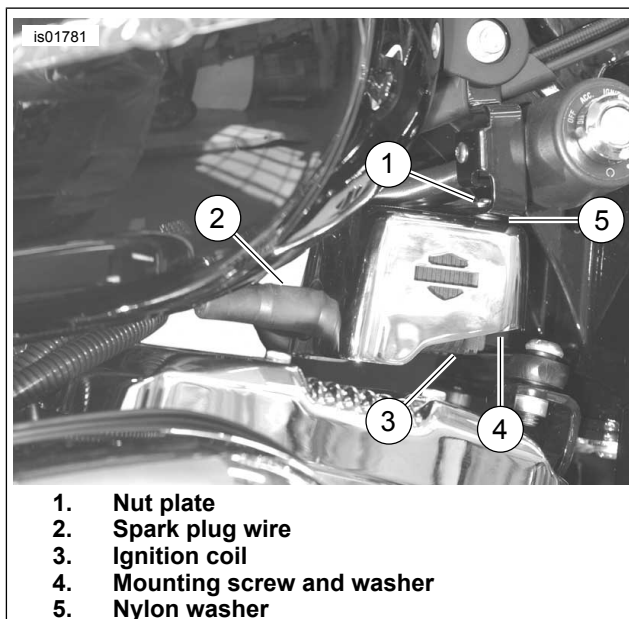
This kit fits 2004 to 2006 XL models.

Kit Contents

See Figure 2 and Table 1.

INSTALLATION

1. Remove Maxi-fuse located behind the battery cover. See the Owner's Manual for more information on this procedure.
2. Disconnect spark plug wire boot from ignition coil, noting boot locations for proper re-installation.
3. Remove ignition coil mounting screws and nut plate from the mounting bracket. Discard the stock mounting screws.
4. Lower the ignition coil and disconnect the wire harness from the top to remove the coil.
5. Place coil cover over the ignition coil.



1. Nut plate
2. Spark plug wire
3. Ignition coil
4. Mounting screw and washer
5. Nylon washer

Figure 1. Installed Chrome Coil Cover

7. Connect the wire harness to the top of the ignition coil.
8. See Figure 1. Install ignition coil assembly from Step 5 to the mounting bracket and stock nut plate from Step 3. Begin with the left side. Tighten screws to 2.7–8.1 N-m (24–72 in-lbs).
9. Connect the spark plug wire boots to the rear of the ignition coil as noted in Step 2. The boot is properly seated when it clicks into place.
10. Install Maxi-fuse and battery cover. See the Owner's Manual for more information on this procedure.

SERVICE PARTS

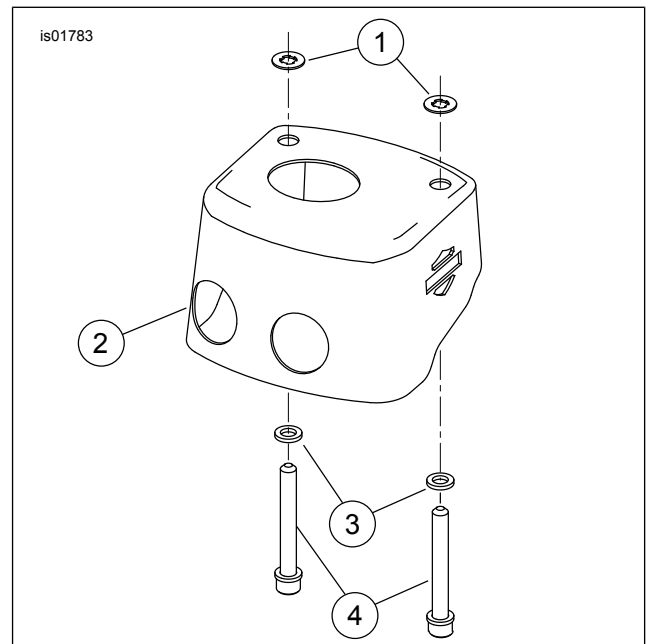


Figure 2. Service Parts: Chrome Sportster Coil Cover Kit

Table 1. Service Parts: Chrome Sportster Coil Cover Kit

Item	Description (Quantity)	Part Number
1	Washer, nylon (2)	62917-01
2	Coil cover, chrome	Not Sold Separately
3	Washer, flat (2)	Not Sold Separately
4	Screw, socket head	4820A

6. See Figure 1. Install the mounting screws from the kit, through the flat washers, ignition coil, coil cover and nylon washer.