



INSTRUCTIONS

-J02719

REV. 05-02-2003

Kit Numbers 31705-04 and 31709-04

DYNA CHROME COIL COVER KITS

General

These kits fit 2004 and later Dyna model motorcycles.

- Kit 31705-04 fits carbureted versions.
- Kit 31709-04 fits EFI (fuel injected) versions.

See the Service Parts illustration for kit contents.

NOTE

A Service Manual for your model motorcycle is available from any Harley-Davidson dealer.

Installation

1. Refer to the Service Manual and follow the instructions given to remove the maxi-fuse.
2. Note the position of each spark plug wire in the ignition coil, then disconnect the two wires.
3. **If there is an existing coil cover:** Remove and discard the coil-cover mounting screws and spacers. Remove and discard the coil cover.
4. See the Service Parts illustration. Obtain the coil cover bracket (3), two long screws (4) and two spacers (2) from the kit.
5. Insert the screw into one of the holes in the bracket as shown, through a spacer, and into a coil mounting hole. Repeat with the second screw and spacer.
6. Assemble the coil to the electrical caddy with the two screws. Tighten the screws to 50 in-lbs (5.6 Nm).
7. Obtain the new chrome coil cover (1) from the kit. Position the cover over the coil, and fasten to the coil cover bracket with the three chrome screws (6) and washers (7) from the kit. Do not fully tighten the screws at this time.
8. Connect the spark plug wires through the holes in the side of the coil cover onto the correct coil terminals.
9. Adjust the cover to center the spark-plug wire boots in the coil cover holes for best appearance. Tighten the three chrome screws securely.
10. Refer to the Service Manual and follow the instructions given to install the maxi-fuse.



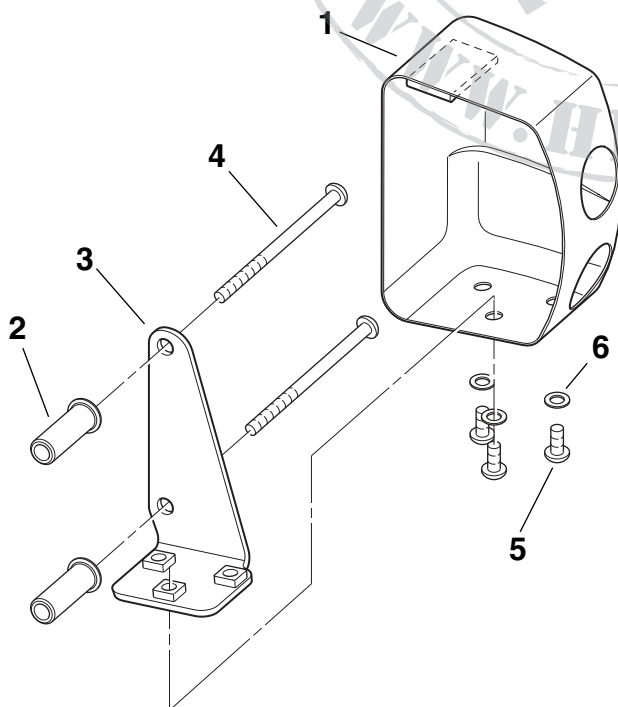
Service Parts

Part No. 31705-04 & 31709-04

Date 04/03

Dyna Chrome Coil Cover Kits

105386



Kit number 31705-04 (Carbureted)

| Item | Description (Quantity) | Part No. |
|------|---|---------------------|
| 1 | Cover, coil (Chrome) | Not sold separately |
| 2 | Spacer, coil cover (2) 1.30 in. (33 mm) long | Not sold separately |

Kit number 31709-04 (EFI)

| Item | Description (Quantity) | Part No. |
|------|---|---------------------|
| 1 | Cover, coil (Chrome) | Not sold separately |
| 2 | Spacer, coil cover (2) 0.93 in. (23.6 mm) long | Not sold separately |

Parts common to both kits

| Item | Description (Quantity) | Part No. |
|------|--------------------------------|---------------------|
| 3 | Bracket assembly, coil cover | Not sold separately |
| 4 | Screw, 3-1/2 in long (2) | Not sold separately |
| 5 | Screw, Chrome, 3/8 in long (3) | 62915-01 |
| 6 | Washer, Chrome (3) | 94062-03 |

