



INSTRUCTIONS

-J03024

6-06-2003

Kit Number 29823-04, 29824-04

2004 XL AIR CLEANER COVER INSERT

General

These kits **29823-04** (Live to Ride) and **29824-04** (Flames) are designed for installation on 2004 and later XL model motorcycles.

NOTE

See Service Parts Illustration below for a list of the items contained in this kit.

Installation

- See Figure 1. Remove and discard existing screws. Remove and discard original insert from front of air cleaner cover.
- See Service Parts Illustration. Install the new air cleaner cover insert as shown:
 - Place the new insert (1) on the front of the air cleaner cover, matching the holes and install it with the screws (2) or (3). The longer screws (3) are installed when using the Screamin Eagle air cleaner high flow kit **29042-04**. The shorter screws (2) are installed with the stock air cleaner assembly.
 - Tighten the screws to 36-60 in-lbs (4.1-6.8Nm).

Special Care Instructions

These Air Cleaner Inserts are chrome plated, with paint filled accents and gold plated.

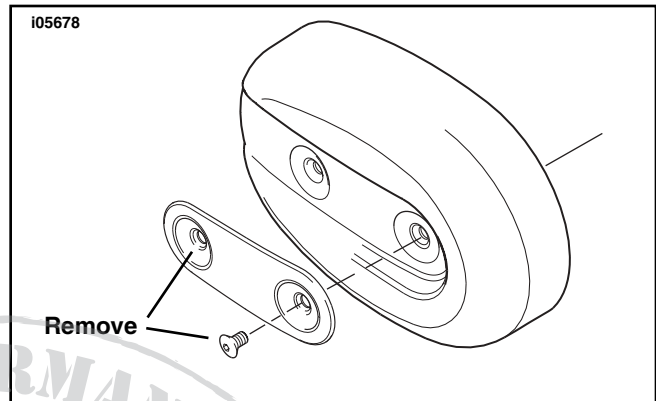


Figure 1. Remove existing screws and insert

To keep this surface in best condition, lightly wipe with a Harley-Davidson Micro Fiber cloth, part number 94663-02, using clear water or a mild Harley-Davidson cleaner such as:

- Sunwash (part number 94659-98),
- Bug Remover (part number 94657-98) or
- Harley Gloss (part number 94627-98).

NOTE

These cleaners are available separately or as part of the Harley Care Starter Kit, part number 94671-99 from any Harley Davidson Dealer.

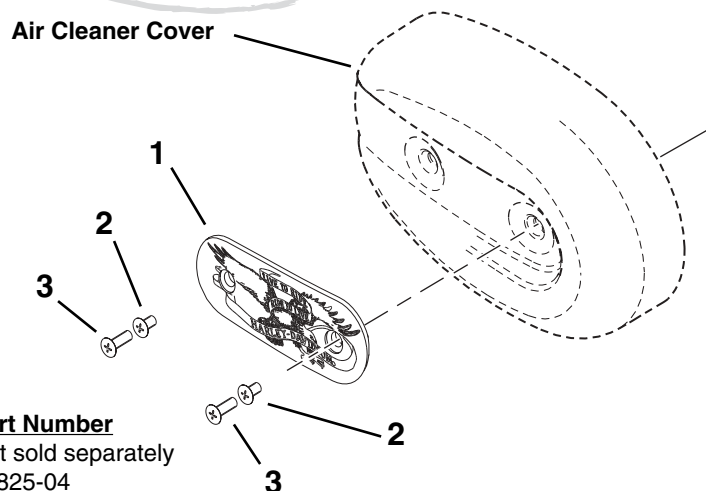


Service Parts

Part Numbers 29823-04, 29824-04 | Date 6/03

Live to Ride and Ride to Live and Flames Inserts

i05679



Item	Description	Part Number
1	Air cleaner insert (1)	Not sold separately
2	Screw, 5/16-18 x 3/4 in-lg (2)	29825-04
3	Screw, 5/16-18 x 1-1/4 in-lg (2)	29847-04