



INSTRUCTIONS

-J02185

REV. 6-14-01

Kit Number 29770-01

WATER PUMP HOSE COVER KIT

General

This kit fits 2002 and later VRSC model motorcycles.

See the Service Parts illustration in this instruction sheet for a list of items contained in this kit.

CAUTION

Allow the engine and radiator system to cool before servicing the radiator system. Servicing a hot radiator system could cause burns.

NOTE

A Service Manual for your vehicle is available from your Harley-Davidson dealer.

Installation

NOTE

Do not remove the stock hose clamp fastening the bottom of the hose to the cooling system. This installation does not require opening the cooling system.

1. Remove the hose clamp fastening the stock hose cover to the water-pump hose to remove the cover from the hose.
2. See Figure 1 and 2. Align the bottom edge of the new front (4) and rear (5) brackets to the top edge of the stock hose clamp located on the bottom of the hose. Fasten the front and rear brackets using the 13mm-long screws (6) provided. Torque the screws to 1.1-1.4 Nm (10-12 in-lb).
4. Fasten the hose clamp (3) around the top tab on the front bracket (4) and around the heat-shrink seal at the top of the hose. Position the hose-clamp screw to the engine-side of the hose, behind the hose heat-shrink seal, with the screw head facing to the rear. Tighten the hose clamp until snug.
5. Fasten the hose cover (1) to the front bracket (4) using the 6.5mm-long screws (2) provided. Torque the screws to 1.1-1.4 Nm (10-12 in-lb).

NOTE

Adjust the front and back bracket assembly vertically on the hose to allow the hose cover to be installed without the top of the hose cover contacting the underside of the frame. See Figure 3.

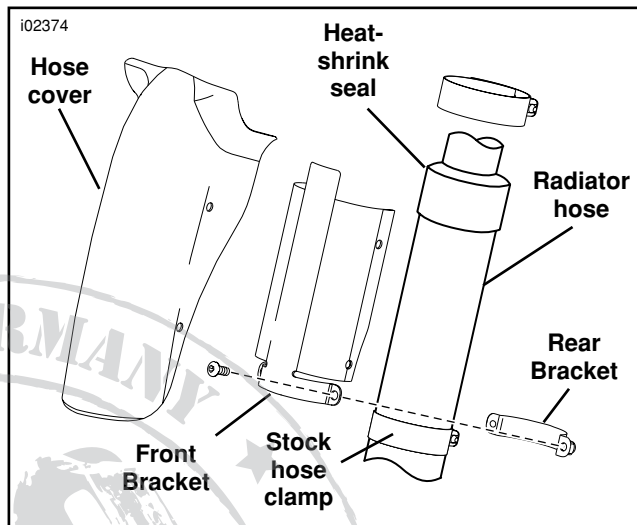


Figure 1. Hose Cover and Hose Components

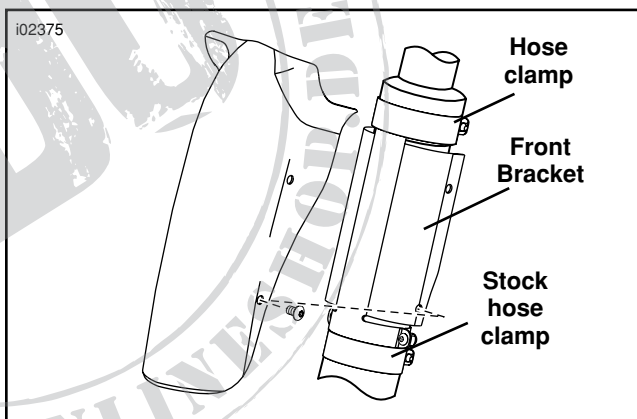


Figure 2. Bracket Position on Hose



Figure 3. Hose Cover Installed



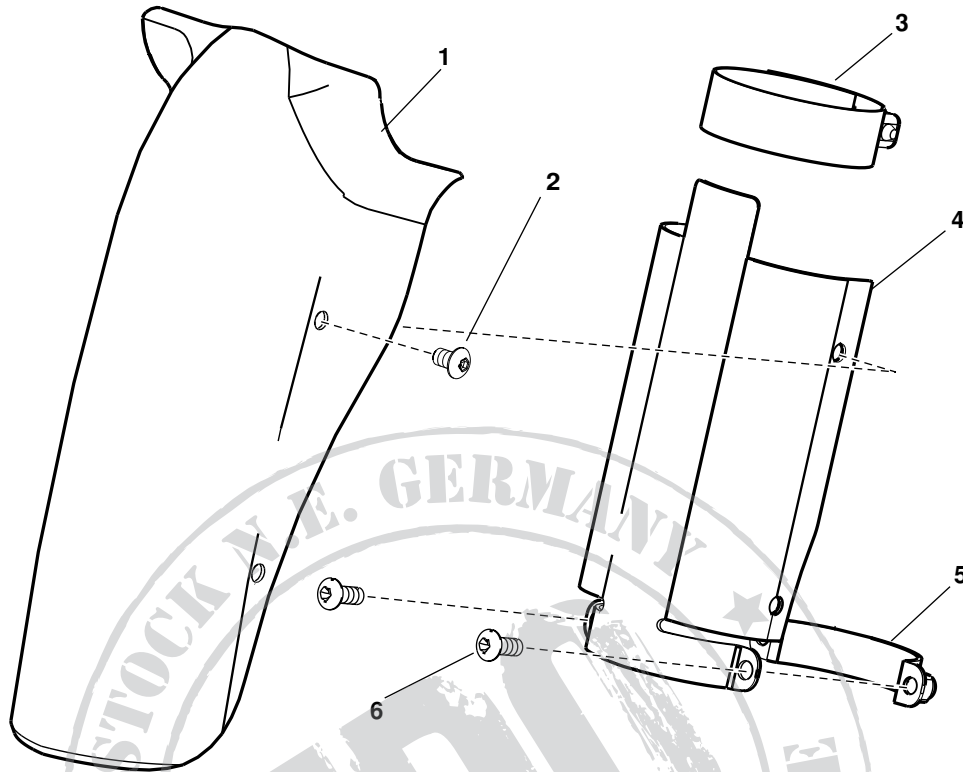
Service Parts

Part No. 29770-01

Date 5/01

Water Pump Hose Cover

i02359



Item	Description	Part No.
1	Hose Cover	Not sold separately
2	Screw, 4mm x 6.5mm (4)	94429-02
3	Hose clamp	26730-01
4	Front Bracket	Not sold separately
5	Rear Bracket	Not sold separately
6	Screw, 4mm x 13mm (2)	94427-02