



INSTRUCTIONS

-J01695

REV. 9-30-02

Kit Number 29635-99 and 29636-99

SCREAMIN' EAGLE PERFORMANCE INTAKE MANIFOLD KIT

General

Manifold Kit 29635-99 is designed for use with the stock 40mm CV, Screamin' Eagle 44mm CV or Screamin' Eagle 42mm and 45mm Flatslide carburetors on Twin Cam 88 engines.

Manifold Kit 29636-99 is designed for use with the stock 40mm CV, Screamin' Eagle 44mm CV or Screamin' Eagle 42mm and 45mm Flatslide carburetors on 1340 Evolution engines.

CAUTION

This Screamin' Eagle performance intake manifold kit is intended for high-performance applications only. This engine-related performance part is not legal for use on pollution-controlled motor vehicles. Use of this Screamin' Eagle intake manifold may reduce or void the Limited Warranty coverage. Engine related performance parts are intended for the experienced rider only.

NOTE

A Service Manual for your motorcycle is available from your Harley-Davidson Dealer.

CAUTION

Read this entire Instruction Sheet before beginning. If any procedures are not within your capabilities, or you do not have the correct tools, have your Harley-Davidson Dealer perform the installation.

Installation

Refer to the applicable Harley-Davidson Service Manual for detailed instructions to remove necessary components.

1. Remove air cleaner, carburetor, and manifold according to Service Manual instructions.
2. If vehicle is equipped with electronic ignition and a map sensor, install map sensor to performance intake manifold.
3. If vehicle is equipped with electronic ignition and a vacuum-operated electric switch (VOES), connect vacuum line to fitting on carburetor.

NOTE

If your motorcycle is VOES equipped, and you do not install the vacuum line to the VOES, you can expect poor mid-range performance and reduced fuel economy.

NOTE

The flanges are marked F (front) and R (rear). These letters designate to which cylinder head the flange should be bolted.

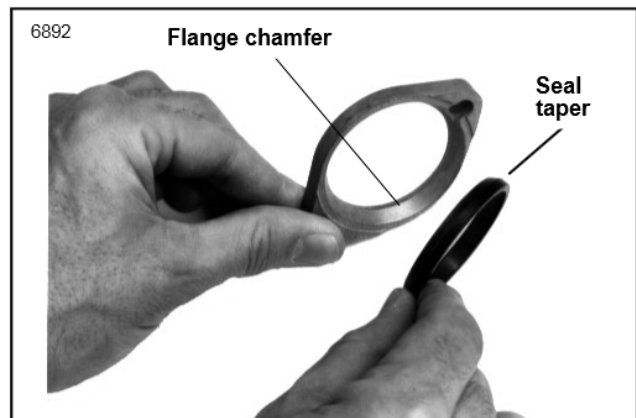


Figure 1. Relationship of Flange and Tapered Seal

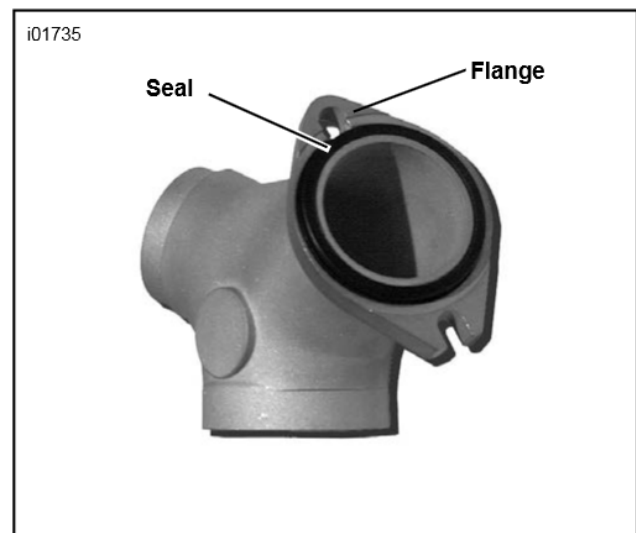


Figure 2. Flange and Tapered Seal installed

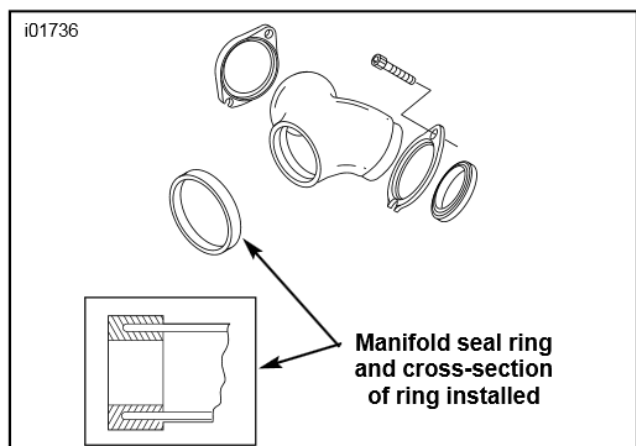


Figure 3. Manifold Assembly (typical)

4. See Figures 1,2 and 3. Assemble the manifold as follows:

- a. With the carburetor mounting spigot facing you and the Screamin' Eagle logo facing up, the "F" flange goes on the right side of the manifold and the "R" a flange goes on the left.
- b. The flanges have a chamfer and the seals are tapered to fit into the chamfer. Place the flanges on the manifold so the chamfer faces outward. Install seal rings.

NOTE

The slotted bolt holes of the manifold flanges are positioned to the bottom bolt holes of the cylinder head intake ports.

5. Position the manifold assembly to the intake ports of the cylinder heads. Install the socket head screws and washers. Do not tighten at this time.

NOTE

For 44mm CV and 45mm Flatslide carburetors, use Gray Manifold Seal Ring (1). For 40mm CV and 42mm Flatslide carburetors, use Brown Manifold Seal Ring (7).

6. Install the carburetor and air cleaner. Refer to the Instruction Sheet included with the Carburetor and Air Cleaner Kit, Support Bracket/Adapter Kit or applicable Service Manual.

7. Tighten all screws.



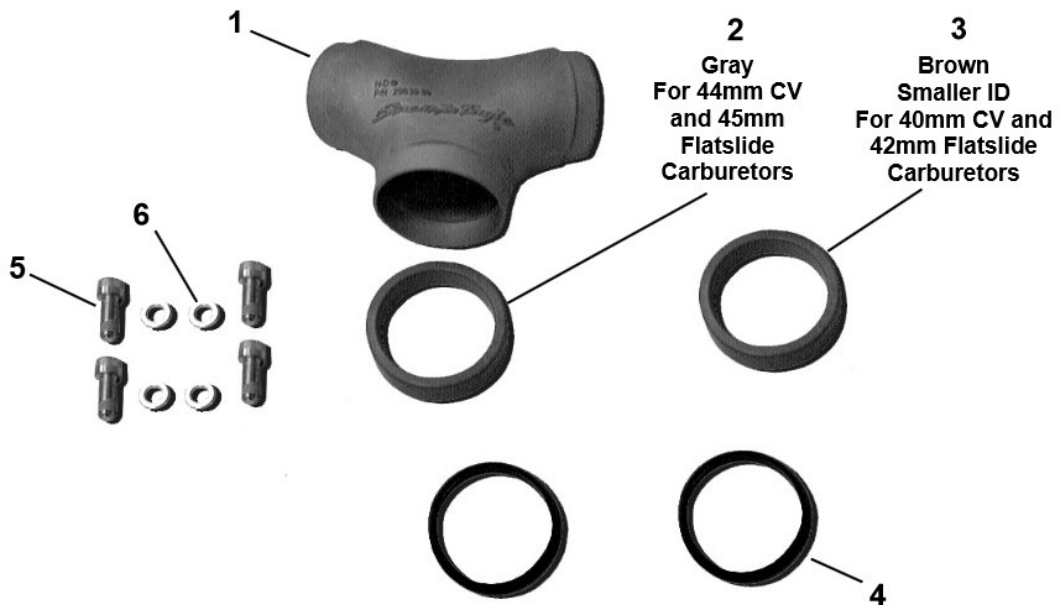
Service Parts

Part No. 29635-99, 29636-99

Date 9/02

SE Performance Intake Manifold Kit

i05141



Item	Description	Part No.
1	Manifold, intake	Not sold separately
2	Manifold seal ring, gray (44mm CV and 45mm Flatslide)	29639-99
3	Manifold seal ring, brown (40mm CV and 42mm Flatslide)	27642-00
4	Seal (2)	26995-86B
5	Screw, hex socket head (4)	3201WA
6	Washers (4)	6771A