



# INSTRUCTIONS

-J03826

REV. 2005-12-20

## SCREAMIN' EAGLE TWIN CAM AIR CLEANER BACKPLATE

### GENERAL

#### Kit Number

29510-05 (Chrome), 29586-06 (Black)

#### Models

These kits fit all 1999 and later Twin Cam 88<sup>®</sup> model motorcycles (**except** 1999 through 2001 FL Touring models with Electronic Fuel Injection) equipped with Screamin' Eagle High-Flow Air Cleaner Kits.

#### NOTE

*This kit is intended for High Performance applications only. When included as part of a "street-legal" kit, this engine-related performance part is legal for sale or use in California on pollution-controlled motor vehicles. Engine-related performance parts are intended FOR THE EXPERIENCED RIDER ONLY.*

Installation of this kit by an authorized Harley-Davidson Dealer will not impact your limited vehicle warranty. See your Harley-Davidson Dealer for more details.

#### Additional Parts Required

Loctite<sup>®</sup> 243 (blue) (H-D Part Number 99642-97, 6.0 mL tube) is needed for the proper installation of this kit.

Installation **may** require separate purchase of the following items (see a Harley-Davidson Dealer for details):

- "O"-ring, Part Number 11292 (2)
- Breather tube, Part Number 29557-05 (2)
- Breather screw, Part Number 29465-99 (2)

These items are available from a Harley-Davidson Dealer.

#### **⚠ WARNING**

**The rider's safety depends upon the correct installation of this kit. Use the appropriate service manual procedures. If the procedure is not within your capabilities or you do not have the correct tools, have a Harley-Davidson dealer perform the installation. Improper installation of this kit could result in death or serious injury. (00333a)**

#### NOTE

*This instruction sheet references Service Manual information. A Service Manual for your model motorcycle is required for this installation and is available from a Harley-Davidson Dealer.*

#### Kit Contents

See Figure 1 and Table 1.

### INSTALLATION

#### **⚠ WARNING**

**To prevent accidental vehicle start-up, which could cause death or serious injury, disconnect battery cables (negative (-) cable first) before proceeding. (00307a)**

#### **⚠ WARNING**

**Disconnect negative (-) battery cable first. If positive (+) cable should contact ground with negative (-) cable connected, the resulting sparks can cause a battery explosion, which could result in death or serious injury. (00049a)**

1. Refer to the Service Manual and follow the instructions given to remove the seat and disconnect the battery cables, negative (-) cable first. Retain all seat mounting hardware.

#### Air Cleaner Removal

#### **⚠ WARNING**

**When servicing the fuel system, do not smoke or allow open flame or sparks in the vicinity. Gasoline is extremely flammable and highly explosive, which could result in death or serious injury. (00330a)**

2. **For carbureted models:** Refer to ENRICHENER in the Service Manual and check the warm-slow idle speed adjustment before removing the air cleaner backplate.

**For ALL models:** See the Service Parts illustration. Remove the air cleaner backplate following the instructions in the Service Manual. Retain the air cleaner cover, the button head screw that retains the cover, and the two breather screws removed from the backplate.

#### High Performance Air Cleaner Installation

#### **⚠ WARNING**

**The element in this kit is specifically designed for use with the OE (original equipment) cover. Using this kit with an air cleaner cover other than the OE cover could lead to failure of the element faceplate. The kit may be used in conjunction with other H-D accessory covers provided the appropriate adapter recommended in those kits is used. If the element faceplate fails the cover could detach possibly distracting the rider which could result in death or serious injury. (00400b)**

#### NOTE

*When servicing the air cleaner, apply Loctite<sup>®</sup> 243 (blue) to all fasteners (both male and female threads).*

A 0.5 mL package of Loctite 243 is included with the **High-Flow Air Cleaner Kit**. Loctite 243 is also available in a 6.0 mL tube as H-D Part Number 99642-97.

3. See Figure 1. Obtain the new air cleaner backplate (1), the backplate gasket (2), two "O"-rings (4), and blue Loctite 243 (9) from the kit, and the breather screws (C) removed in Step 2.
4. Install the new "O"-rings in the grooves around the breather screw holes on the carburetor or induction module side of the backplate.
5. Align the flat edge of the gasket with the molded tab, and install on the carburetor or induction module side of the backplate.
6. Insert the breather screws through the backplate. Apply a small amount of Loctite to the breather screw threads and the mating tapped holes in the cylinder head; then thread the screws into the cylinder head. **DO NOT** tighten completely at this time.
7. Obtain the three air cleaner mounting studs (6) from the kit. Thread the studs all the way through the backplate and gasket until the screw threads are captured in the carburetor. **DO NOT** tighten completely at this time.
8. Alternately tighten the two breather screws to 120-144 **in-lbs** (13.6-16.3 Nm).
9. Press the breather plugs (3) into the breather screw cavities, aligning the tubes with the recesses in the backplate.
10. Tighten the three air cleaner mounting studs to 55-60 **in-lbs** (6.2-6.8 Nm).

### Air Cleaner Element and Cover Installation

#### NOTES

*This is a DRY air filter. DO NOT apply oil to the filter element.*

*Whenever the air cleaner cover is installed, apply Loctite 243 (blue) to the air cleaner cover screw.*

A 0.5 mL package of Loctite 243 is included with the **High-Flow Air Cleaner Kit**. Loctite 243 is also available in a 6.0 mL tube as H-D Part Number 99642-97.

11. Obtain the air filter element (5) and three screws (7) from the kit. Apply a small amount of Loctite to the screw threads and secure the air filter element to the air cleaner mounting studs. Tighten the screws to 55-60 **in-lbs** (6.2-6.8 Nm).
12. Obtain the original air cleaner cover (A) and the air cleaner insert (8) from the kit. Carefully remove and discard the original insert from the cover. Adhesive left on the cover can be removed with mineral spirits.
13. To ensure surface cleanliness, clean the insert area with a mixture of 50% to 70% isopropyl alcohol and 30% to 50% distilled water. Allow to dry thoroughly.
14. Peel the liner from the adhesive backing of the new air cleaner insert. Position the insert over the air cleaner cover without touching the adhesive to the cover surface. Line

up the top of the insert with the top of the oval air cleaner cover.

15. Press the insert firmly against the cover all around, and hold pressure for 30 seconds. After releasing pressure, avoid direct contact with the insert for about 20 minutes.

#### NOTE

*Allow at least 24 hours after applying the trim strips before exposing the area to vigorous washing, strong water spray or extreme weather. The adhesive bond will increase to maximum strength after about 72 hours at normal room temperatures.*

16. Obtain the original air cleaner cover screw (B). Apply a liberal amount of Loctite 243 to the air cleaner cover screw, and secure the air cleaner cover to the air filter element. Align the air cleaner cover horizontally for best appearance, then tighten securely.

### WARNING

**Connect positive (+) battery cable first. If positive (+) cable should contact ground with negative (-) cable connected, the resulting sparks can cause a battery explosion, which could result in death or serious injury. (00068a)**

17. Refer to the Service Manual and follow the instructions given to re-attach the battery cables, positive cable first, and install the seat.

### WARNING

**After installing seat, pull upward on seat to be sure it is locked in position. While riding, a loose seat can shift causing loss of control, which could result in death or serious injury. (00070b)**

### Air Cleaner Element Maintenance

18. Remove the air cleaner cover and inspect the element every 5000 miles (8000 km), or more often under dusty conditions.
19. To clean the element, remove and wash by immersing it, on edge, in a shallow pan containing enough Air Cleaner/Degreaser (H-D Part Number 99883-88T) to cover no more than three-fourths the depth of the filter pleats. Do not let dirty solution get inside the element.  
Carefully "roll" the element in the solution around its perimeter until the entire outer surface of the filter pleats has been soaked.
20. Remove the element from the cleaner/ degreaser and allow five minutes for the cleaner to dissolve the dirt. From the inside out, rinse the element with cold water. Shake off excess water, and allow the element to air dry. Do not dry with compressed air.

#### NOTE

*This is a DRY air filter. DO NOT apply oil to the filter element.*

*When servicing the air cleaner, apply Loctite 243 (blue) to all fasteners (both male and female threads). Loctite 243 is available as H-D Part Number 99642-97 (6.0 mL tube).*

# SERVICE PARTS

is02196

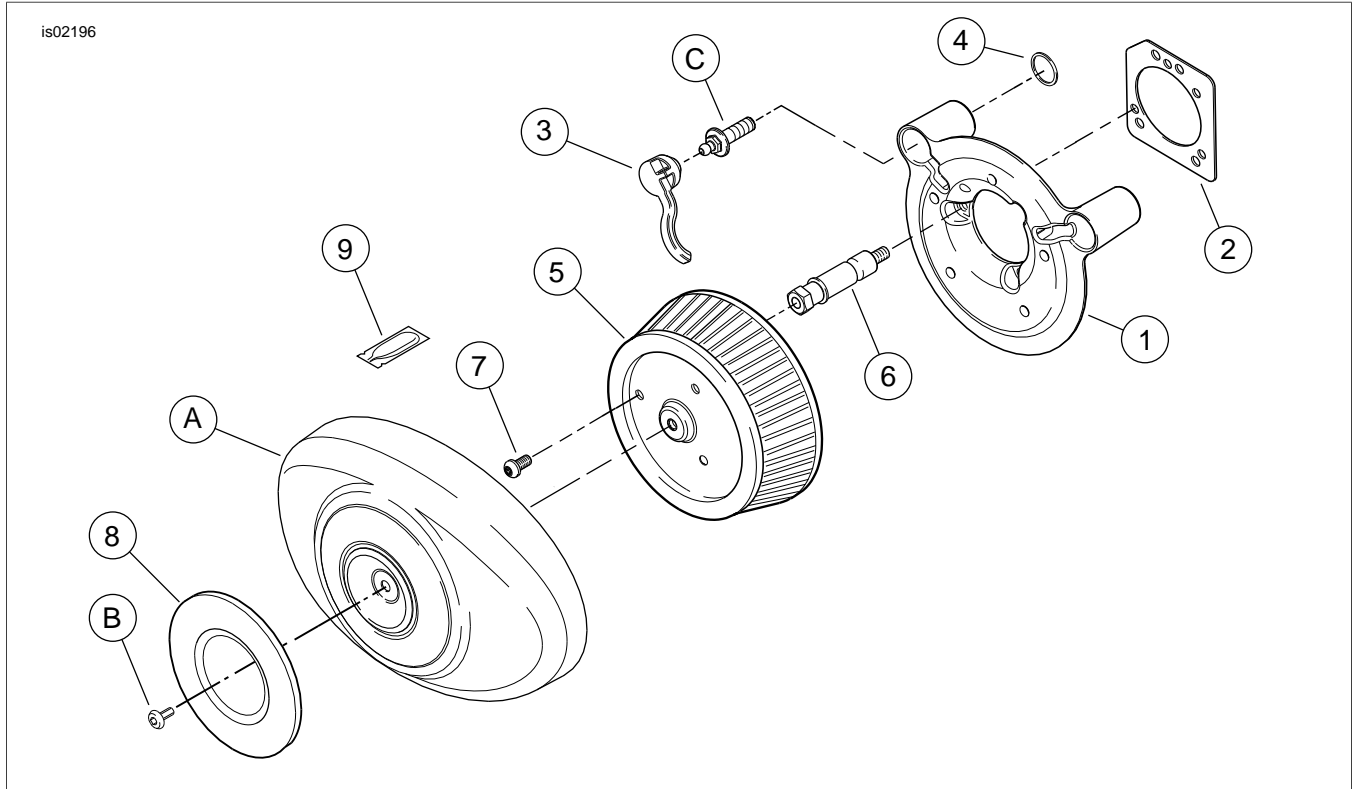


Figure 1. Service Parts, Screamin' Eagle Twin Cam Air Cleaner Backplate

Table 1. Service Parts Table

Item	Description (Quantity)	Part Number
1	Backplate (chrome) Backplate (black)	29510-05 29586-06
<b>The following items are included in the Screamin' Eagle High-Flow Air Cleaner Kit:</b>		
2	Gasket	29583-01
3	Plug, breather (2)	29557-05
4	"O"-ring (2)	11292
5	Element, air filter	29442-99C
6	Stud, air cleaner mounting (3)	29447-99A
7	Screw, button head, 1/4-20 x 3/8 inch long (3)	3938
8	Insert, air cleaner	29450-99
9	Loctite 243 (blue) Threadlocker and Sealant (0.5 mL tube)	Not Sold Separately
<b>Items mentioned in text, but not included in kit:</b>		
A	Original equipment air cleaner cover	
B	Original equipment screw	
C	Original equipment breather screw (2)	

