



# INSTRUCTIONS

-J06103

2014-07-30

## SCREAMIN' EAGLE PRO AIR CLEANER AND BREATHER KIT

### GENERAL

#### Kit Number

29400222

#### Models

For model fitment information, see the P&A retail catalog or the Parts and Accessories section of [www.harley-davidson.com](http://www.harley-davidson.com) (English only).

#### Installation Requirements

Proper installation of this kit requires the use of Digital Technician™ by a factory-trained technician at a Harley-Davidson dealer.

This kit requires the use of Loctite® 243 Threadlocker and Sealant - Blue (Part No. 99642-97) and is available from a Harley-Davidson dealer.

#### ⚠ WARNING

The rider's safety depends upon the correct installation of this kit. Use the appropriate service manual procedures. If the procedure is not within your capabilities or you do not have the correct tools, have a Harley-Davidson dealer perform the installation. Improper installation of this kit could result in death or serious injury. (00333a)

#### NOTE

This instruction sheet refers to service manual information. A service manual for this year/model motorcycle is required for this installation. One is available from a Harley-Davidson dealer.

#### Kit Contents

See Figure 1 and Table 1.

#### NOTE

The kit is intended for High Performance applications only. Engine-related performance parts are intended FOR THE EXPERIENCED RIDER ONLY.

This engine-related performance part is legal for sale or use in California on pollution controlled motor vehicles. The Product Information Label contained in this kit is a requirement of the California Air Resource Board (CARB) emission regulation. Place the label on the right side of the frame directly beneath the VIN sticker. This label is not required outside the state of California.

Installation of this kit by an authorized Harley-Davidson dealer will not impact your limited vehicle warranty.

### REMOVAL

#### ⚠ WARNING

When servicing the fuel system, do not smoke or allow open flame or sparks in the vicinity. Gasoline is extremely flammable and highly explosive, which could result in death or serious injury. (00330a)

1. Remove main fuse. Refer to the service manual.
2. Remove the existing air cleaner assembly. Remove induction module support bracket. Refer to the service manual. Save the original equipment (OE) button head screw that secures the air cleaner cover. Discard the remaining parts.

### INSTALLATION

#### Install Air Cleaner

#### ⚠ WARNING

The element in this kit is specifically designed for use with the OE (original equipment) cover. Using this kit with an air cleaner cover other than the OE cover could lead to failure of the element faceplate. The kit may be used in conjunction with other H-D accessory covers provided the appropriate adapter recommended in those kits is used. If the element faceplate fails the cover could detach possibly distracting the rider which could result in death or serious injury. (00400b)

#### NOTE

When servicing the air cleaner, apply Loctite 243 (blue) on all fastener threads.

1. See Figure 1. Install two O-rings (1) from kit in grooves around breather screw holes on induction module side of backplate (2). Install two O-rings (1) from kit in grooves in underside of head of breather screws (5).
2. Peel the protective strip off the gasket (3) and place the adhesive side onto the backplate. Align to the equally spaced screw holes, and position the gasket carefully before firmly pressing the gasket into place.
3. Insert new breather screws (5) through the backplate.
4. Apply Loctite 243 (blue) to breather screw threads and mating tapped holes in cylinder head.
5. Install screws into cylinder head but do not tighten.
6. Install air cleaner studs (4) into backplate (2). Tighten to 6.2–6.8 N·m (55–60 in-lbs).
7. Alternately tighten two breather screws (5) to 13.6–16.3 N·m (120–144 in-lbs).

8. Tighten three air cleaner screws (9) to 6.2–6.8 N·m (55–60 in-lbs).

## Install air cleaner filter and cover.

### NOTE

*This is a dry air filter. Do not apply oil to the filter element.*

*When servicing the air cleaner, apply Loctite 243 (blue) to all fastener threads.*

1. See Figure 1. Secure air filter element (7) to air cleaner studs (4) using screws (6). Tighten screws to 55-60 in-lbs (6.2-6.8 Nm).
2. Carefully remove and discard the original air cleaner cover insert from air cleaner cover (A). Remove any residual adhesive on the cover with mineral spirits.
3. To verify surface cleanliness, clean the insert area with a mixture of 50-70% isopropyl alcohol and 30-50% distilled water. Allow to dry completely.
4. Peel liner from adhesive backing of air cleaner cover insert (8). Position insert over air cleaner cover (A) without touching adhesive on cover surface. Line up top of insert with top of oval air cleaner cover.

### NOTE

*Allow at least 24 hours after applying the insert before exposing the area to vigorous washing, strong water spray or extreme weather. The adhesive bond will increase to maximum strength after about 72 hours at normal room temperatures.*

5. Press air cleaner cover insert firmly against the cover all around, and hold pressure for 30 seconds. After releasing pressure, avoid direct contact with the insert for about 20 minutes.
6. Apply Loctite 243 (blue) to air cleaner cover screw (B). Secure air cleaner cover (A) to air filter element (7) with screw.

7. Align air cleaner cover horizontally for best appearance. Tighten screw securely. Tighten to 4.1–6.8 N·m (36–60 in-lbs).

## Recalibrate ECM

### NOTICE

**You must recalibrate the ECM when installing this kit. Failure to properly recalibrate the ECM can result in severe engine damage. (00399b)**

Have a Harley-Davidson dealer install the new ECM calibration using Digital Technician™.

## MAINTENANCE

### Air Cleaner Element Maintenance

This kit requires the use of Air Cleaner/Degreaser (Part No. 99883-88T). It is available from a Harley-Davidson dealer.

### NOTE

*This is a dry air filter. Do not apply oil to the filter element.*

*When servicing the air cleaner, apply Loctite 243 (blue) to fastener threads.*

1. See Figure 1. Remove air cleaner cover (A) and inspect the filter element (7) every 5000 mi (8000 km), or more often under dusty conditions.
2. Clean filter element:
  - a. Remove and wash element. Immerse it on edge using a shallow pan containing enough Air Cleaner/Degreaser to cover **no more** than 3/4 the depth of the filter pleats. **Do not let dirty solution get inside the element.** Carefully "roll" the element in the solution around its perimeter until the entire outer surface of the filter pleats has been soaked.
  - b. Remove filter element from cleaner/degreaser. Allow five minutes for the cleaner to dissolve the dirt.
  - c. From the inside out, rinse the element with cold water. Shake off excess water. Allow the element to air dry. **Do not dry with compressed air.**
3. Install air cleaner filter and cover.

# SERVICE PARTS

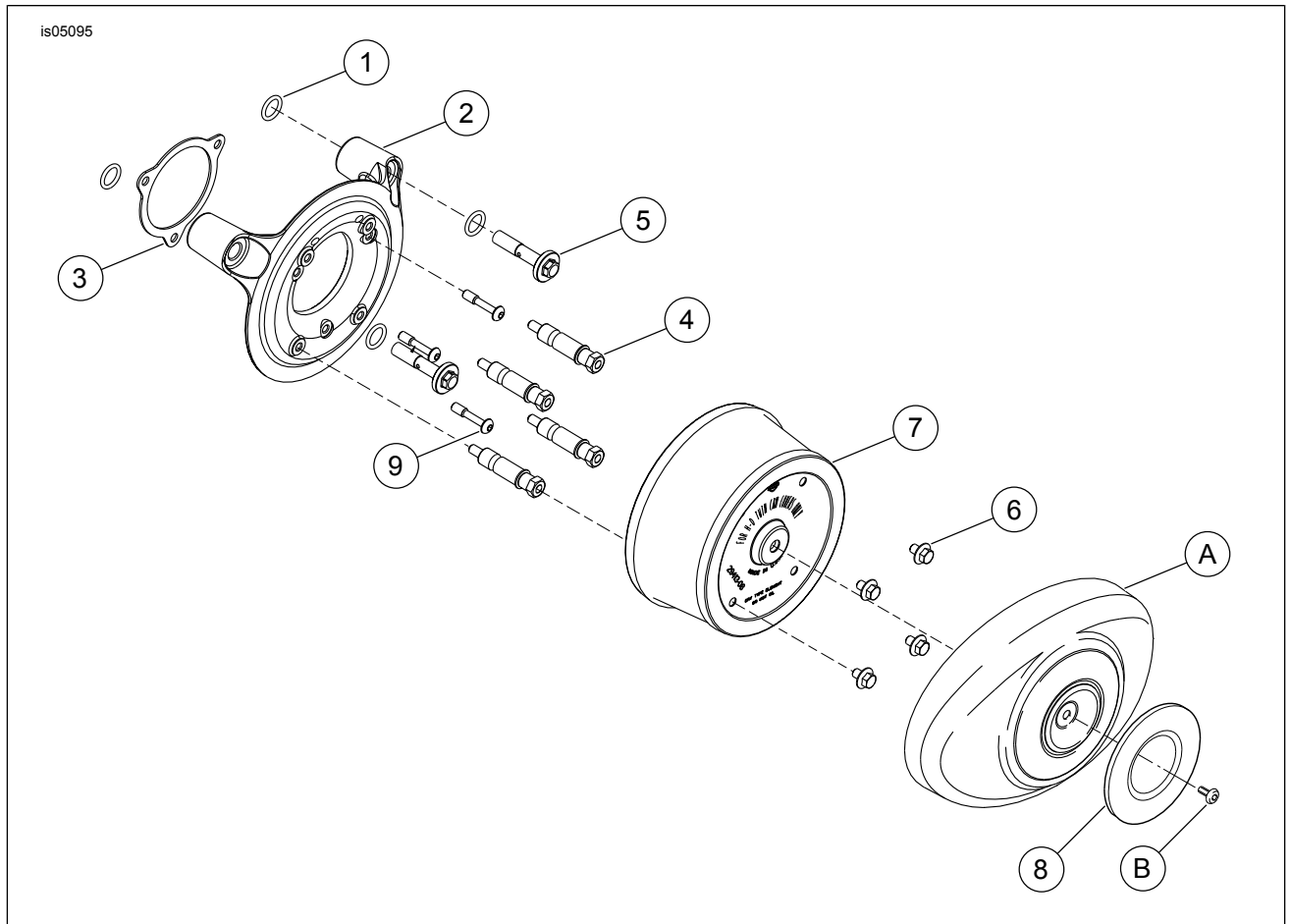


Figure 1. Service Parts: Screamin' Eagle Pro Air Cleaner and Breather Kit

Table 1. Service Parts: Screamin' Eagle Pro Air Cleaner and Breather Kit

Item	Description (Quantity)	Part Number
1	O-ring (4)	11292
2	Backplate	29238-08
3	Gasket, backplate	29241-08
4	Stud, air cleaner (4)	29447-99A
5	Breather screw (2)	29267-08A
6	Screw, air cleaner element (4)	3563
7	Element, filter	29413-08
8	Insert, air cleaner cover	29503-07
9	Screw (3)	869
10	Loctite 243 (blue), 0.5 ml packet (Not Shown)	Not Sold Separately
<b>Original equipment mentioned in text, but not included in kit:</b>		
A	Air cleaner cover	
B	Screw	

Note: Loctite (Item 10) is only available in 6 ml tube, part number 99642-97.