



# INSTRUCTIONS

-J05824

2015-04-23

## SCREAMIN' EAGLE EXTREME BILLET VENTILATOR PERFORMANCE AIR CLEANER KIT

### GENERAL

#### Kit Numbers

29400163 (chrome), 29400164 (black)

#### Models

For model fitment information, see the P&A retail catalog or the Parts and Accessories section of [www.harley-davidson.com](http://www.harley-davidson.com) (English only).

#### Additional Parts Required

Proper installation of this kit requires the use of Digital Technician™ by a factory-trained technician at a Harley-Davidson dealer.

This kit requires the use of Loctite® 243 Threadlocker and Sealant - Blue (Part No. 99642-97) and Air Cleaner/Degreaser (Part No. 99883-88T), both available from a Harley-Davidson dealer.

#### ⚠ WARNING

The rider's safety depends upon the correct installation of this kit. Use the appropriate service manual procedures. If the procedure is not within your capabilities or you do not have the correct tools, have a Harley-Davidson dealer perform the installation. Improper installation of this kit could result in death or serious injury. (00333a)

#### NOTE

This instruction sheet refers to service manual information. A service manual for this year/model motorcycle is required for this installation and is available from a Harley-Davidson dealer.

#### Kit Contents

See Figure 4 and Table 1.

#### NOTE

This Screamin' Eagle Ventilator Performance Air Cleaner is intended for high performance applications only. This engine-related performance part is legal for sale or use in California on pollution controlled motor vehicles. Engine-related performance parts are intended for the experienced rider only.

The air cleaner contained in this kit is designed to perform with **this kit only**. Any other combination of components is not confirmed to be legal for street use.

### REMOVAL

#### ⚠ WARNING

To prevent accidental vehicle start-up, which could cause death or serious injury, remove main fuse before proceeding. (00251b)

1. Remove the main fuse. Refer to the service manual.
2. Remove the existing air cleaner. Refer to the service manual. Discard the parts.
3. Remove the fuel tank. Refer to the service manual.
4. See Figure 1. Remove and discard the induction module bracket.

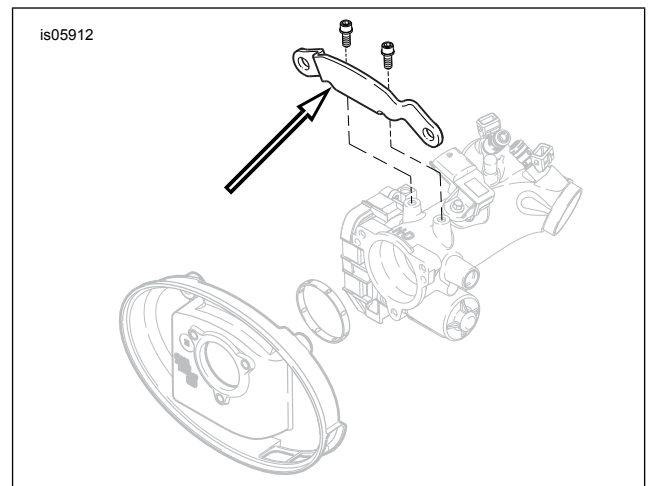


Figure 1. Remove Induction Module Support Bracket

### INSTALLATION

#### Air Cleaner Installation

#### ⚠ WARNING

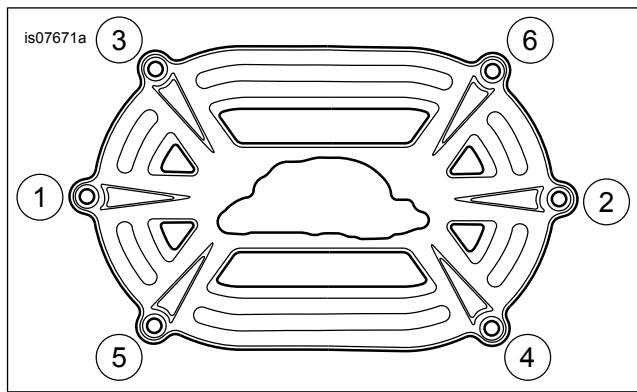
Use only supplied air cleaner cover. Use of another air cleaner cover could cause element failure and detachment of the air cleaner cover, which could distract the rider and result in death or serious injury. (00596b)

#### NOTE

When servicing the air cleaner, apply Loctite 243 - Blue to the threads of all fasteners.

1. See Figure 4. Install two O-rings (1) from the kit in the grooves around the breather bolt holes on the induction module side of the backplate assembly (2). Install the remaining two O-rings in the grooves in the underside of the heads of the breather bolts (5).

2. Remove the liner from the adhesive backing of the gasket (3). Carefully position the adhesive side of the gasket to the backplate, aligning to the equally spaced screw holes, and press the gasket firmly into place.
3. Insert new breather bolts (5) through the backplate.
4. Apply Loctite 243 - Blue to the breather bolt threads and the mating tapped holes in the cylinder head. Position back cover over back plate.
5. Thread the bolts into the cylinder head, but do not tighten.
6. Thread the air cleaner mounting studs (4) all the way through the backplate (2) until the screw threads are captured in the induction module. Do not tighten completely at this time.
7. Tighten the three air cleaner studs to 6.2–6.8 N·m (55–60 **in-lbs**).
8. Alternately tighten the two breather bolts to 13.6–16.3 N·m (120–144 **in-lbs**).
9. Install the fuel tank.



**Figure 2. Fastener Tightening Sequence**

**NOTE**

*Riding a motorcycle equipped with an exposed air filter element under rainy conditions IS NOT RECOMMENDED.*

- **If parked**, water could enter the engine.
- **If moving**, enough water could be sucked in to cause engine misfiring.

*Slip the rain sock (10) over the air filter element under these circumstances.*

## Air Cleaner Element and Cover Installation

**NOTE**

*Whenever the air cleaner cover is installed, apply Loctite 243 - Blue to all air cleaner cover screws.*

1. See Figure 4. Secure the air filter element (8) to the air cleaner mounting studs (4) using three bright-finish TORX® screws (6) from the kit. Tighten the screws to 6.2–6.8 N·m (55–60 **in-lbs**).
2. Remove the liner from the adhesive backing of the air cleaner emblem (9). Carefully position the adhesive side of the emblem to the front cover (8) and press the emblem firmly into place.
3. Assemble wire mesh (12) and filler plate (13) to front cover.
4. Apply Loctite 243 - Blue to all cover screws (11) and mating tapped holes in back cover (14).
5. See Figure 2. Install front cover plate with wire mesh and mesh filler plate using 1/4-20x2.5 in. SHCS screws provided. Alternate tightening in a star pattern until all six fasteners are snug. Then one-half turn (180 degree) each in same pattern. This is to avoid crushing the element. If necessary, another one-quarter turn (90 degree) but no more.

## Final Assembly

1. Install the main fuse. Refer to the service manual.

## ECM Recalibration

**NOTICE**

**You must recalibrate the ECM when installing this kit. Failure to properly recalibrate the ECM can result in severe engine damage. (00399b)**

Have a Harley-Davidson dealer download the new ECM calibration using Digital Technician™.

## MAINTENANCE

### Air Cleaner Element Maintenance

**NOTE**

*When servicing the air cleaner, apply Loctite 243 - Blue to the threads of all fasteners.*

1. Remove the air cleaner cover and inspect the filter element every 8,000 km (5000 mi), or more often under dusty conditions.

**NOTE**

*The use of cleaning, drying or oiling methods or products other than those shown will damage the filter and void the manufacturer's warranty*

*K&N® Air filter Cleaner is available from a Harley-Davidson dealer, either alone (1 qt/0.95 L sprayer bottle, 99883-88T) or a 12 fl oz/0.35 L sprayer bottle as part of the Filter Care Service Kit (99850-92T).*

*K&N Air Filter Oil is also available from a Harley-Davidson dealer, either alone (12.25 oz/347 gram aerosol can, 99882-88T) or a 6.5 oz/184 gram aerosol can as part of the Filter Care Service Kit.*

**DO NOT OVER-OIL THE AIR FILTER.** *Over-oiling may interfere with the proper performance of the engine and/or certain engine components. If oil is still draining or dripping from the filter media twenty minutes after oiling, clean and oil the filter element again.*

2. To clean the element:
  - a. Disassemble front cover assembly screws (11).
  - b. Disassemble air filter element screws (6) and remove element (7) for cleaning.
  - c. Tap the element to dislodge any loose dirt, then gently brush with a soft bristle brush.
  - d. Spray air filter cleaner liberally onto the cotton filter media and let soak for ten minutes OR roll and soak the cotton filter media in a shallow pan of air filter cleaner. Remove immediately, and let soak for ten minutes.
  - e. Rinse off the filter media (flowing from the **clean** side to the dirty side), with low-pressure tap water.
  - f. After rinsing, shake off all excess water, and let the filter media air dry. **DO NOT** use compressed air or a heat gun to speed drying.

- g. After the filter media is **completely** dry, EITHER spray air filter oil along each pleat, once only, holding the spray nozzle approximately 3 inches (76 mm) away from the media, OR carefully use a squeeze bottle to deposit oil along each pleat, once only. **Let the oil absorb into the filter media for twenty minutes before proceeding.** After twenty minutes, inspect the filter media, and carefully apply oil to any remaining visible white spots on the filter media, and allow to absorb.

3. Install the air cleaner element and covers.

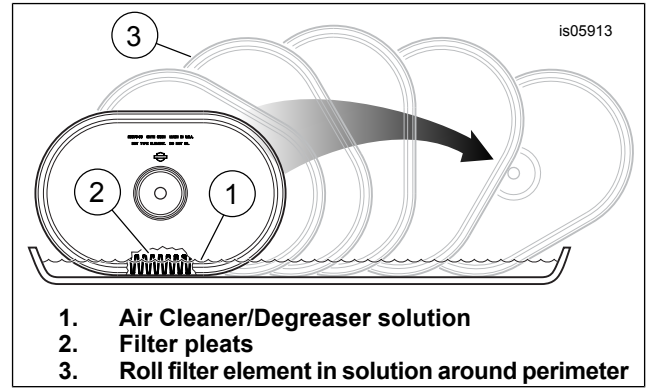


Figure 3. Cleaning the Filter Element

## Service Parts

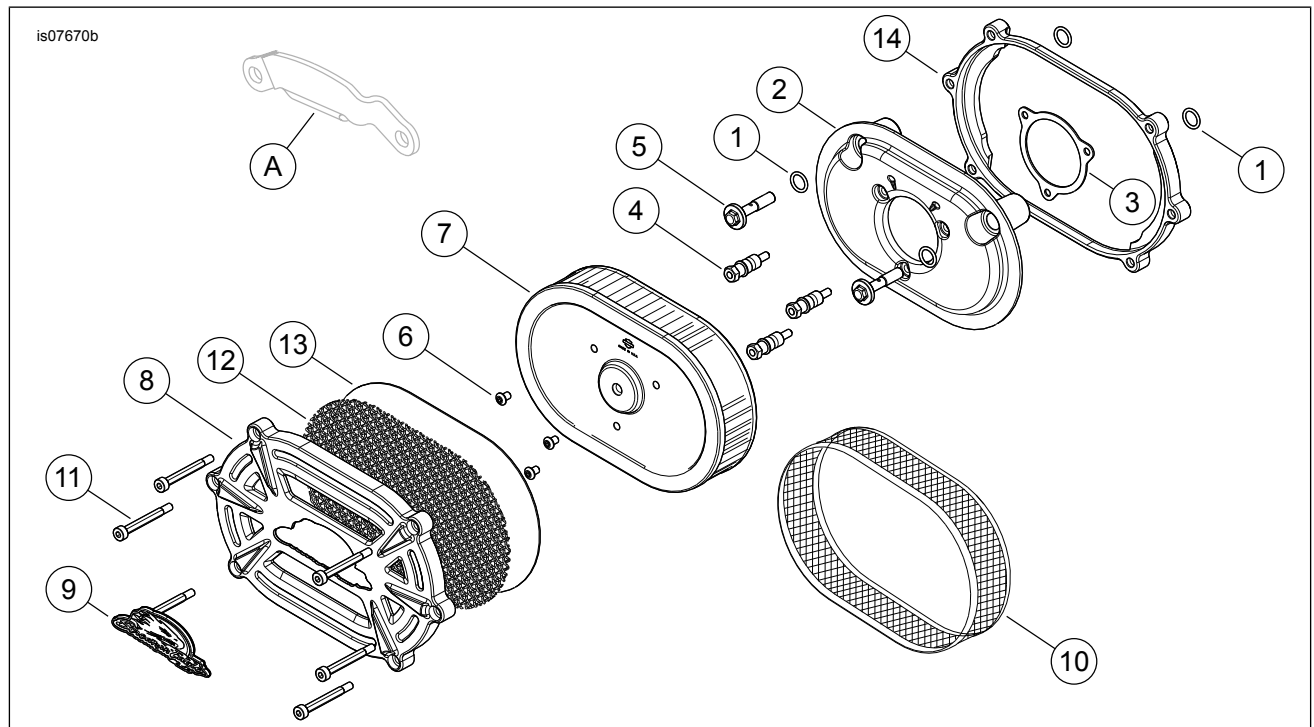


Figure 4. Service Parts, Screamin' Eagle Extreme Billet Ventilator Performance Air Cleaner Kit

Table 1. Service Parts Table

Item	Description (Quantity)	Part Number
1	O-ring (4)	11292
2	Backplate (50 mm)	29763-09
3	Gasket, throttle body	29241-08
4	Air cleaner mounting stud (3)	8250
5	Breather bolt (2)	29267-08A
6	Screw, button head TORX, 1/4-20 x 9.5 mm (3/8 in) long (bright finish) (3)	3938
7	Element, air filter	29400022A
8	Front cover, air cleaner	Not sold separately
9	Insert, air cleaner cover	14100604
10	Rain sock	29400177
11	Screw (6)	10200259

**Table 1. Service Parts Table**

<b>Item</b>	<b>Description (Quantity)</b>	<b>Part Number</b>
12	Wire mesh	Not sold separately
13	Filler plate	Not sold separately
14	Rear cover, air cleaner	Not sold separately
<b>Item mentioned in text, but not included in kit:</b>		
A	Induction module bracket (remove and discard)	