



INSTRUCTIONS

-J05679

2015-04-23

SCREAMIN' EAGLE PERFORMANCE AIR CLEANER KIT

GENERAL

Kit Numbers

29400127, 29400128

Models

Fits certain XL (Sportster®) models. For specific model fitment information, see:

- the P&A retail catalog,
- the Screamin' Eagle® Pro Racing Parts catalog,
- the Parts and Accessories section of www.harley-davidson.com (English only), or
- visit www.h-d.com/racecatalog.

Installation Requirements

Loctite® 243 Medium Strength Threadlocker and Sealant - Blue (Part No. 99642-97) is required for proper installation of this kit.

▲ WARNING

The rider's safety depends upon the correct installation of this kit. Use the appropriate service manual procedures. If the procedure is not within your capabilities or you do not have the correct tools, have a Harley-Davidson dealer perform the installation. Improper installation of this kit could result in death or serious injury. (00333a)

NOTE

This instruction sheet refers to service manual information. A service manual for this year/model motorcycle is required for this installation and is available from a Harley-Davidson dealer.

Proper installation of this kit requires the use of Digital Technician™ by a factory-trained technician at a Harley-Davidson dealer.

Kit Contents

See Figure 1 and Table 1.

NOTE

*This kit is intended for High Performance applications only. Engine related performance parts are intended for **THE EXPERIENCED RIDER ONLY**.*

NOTE

Installation of this kit by an authorized Harley-Davidson dealer will not impact your limited vehicle warranty.

The Product Information Label contained in this kit is a requirement of the California Air Resource Board (CARB) emission regulation for all 2007-2013 Sportster models.

Place the label on the right side of the frame directly beneath the VIN sticker. This label is not required outside the state of California.

This conversion kit is intended for High Performance applications only. This engine related performance part is legal for sale or use in California on pollution controlled motor vehicles.

REMOVAL

NOTE

For vehicles equipped with security siren: Verify that the Hands-Free Fob is present. Turn the ignition key switch to IGNITION.

NOTE

*Verify that the ignition key switch is in the OFF position **before** removing the main fuse.*

1. **For ALL vehicles:** Remove the seat. Retain the seat and all mounting hardware.

▲ WARNING

To prevent accidental vehicle start-up, which could cause death or serious injury, remove main fuse before proceeding. (00251b)

2. See the service manual and remove the main fuse.
3. Remove the currently installed air cleaner. Refer to the service manual or the instructions for **THAT** air cleaner. See Figure 1. Save the two breather screws (A) from the backplate. The remaining parts can be recycled or properly disposed of.
4. Remove and discard the induction module bracket (A).

INSTALLATION

Install Air Cleaner

NOTE

When servicing the air cleaner, apply Loctite® 243 (blue) to threads of all fasteners.

1. See Figure 1. Install two O-rings (1) from kit in grooves around breather screw holes on induction module side of backplate assembly (2).
2. Align the holes in the gasket (3) with holes in the backplate, and install on the induction module side of the backplate.
3. Apply Loctite 243 (blue) to the threads of the breather screws (A, saved earlier) and the mating tapped holes in the cylinder head.

-J05679



Many Harley-Davidson® Parts & Accessories are made of plastics and metals which can be recycled. Please dispose of materials responsibly.

1 / 3

4. Insert the breather screws through the backplate.
5. Thread screws into the cylinder head but do not tighten.
6. Thread air cleaner mounting screws (4) through the mounting bracket (6) and into the backplate (2) until the screw threads are captured in induction module. Do not fully tighten at this time.
7. Alternately tighten two breather screws (5) to 13.6–16.3 N·m (120–144 **in-lbs**).
8. Tighten three air cleaner screws (4) to 6.2–6.8 N·m (55–60 **in-lbs**).
9. Press breather plugs (5) into breather screw cavities, aligning tubes with recesses in backplate.

Install Air Cleaner Element and Cover

NOTE

Whenever the air cleaner cover is installed, apply Loctite 243 (blue) to the air cleaner cover screw (8).

NOTE

Apply a small amount of dish soap to medallion O-ring to aid in installation of medallion.

1. See Figure 1. Install the air cleaner element (7) and cover (9). Before tightening the center screw, align the cover using the medallion for best appearance, then tighten center screw to 4.1–6.8 N·m (36–60 **in-lbs**).
2. Install the medallion into the center hole by pressing in place. Do not damage the O-ring.

Completion

NOTE

Verify that the ignition key switch is in the OFF position **before** installing the main fuse.

1. See the service manual and install the main fuse.

NOTE

Riding a motorcycle equipped with an exposed oiled air filter under rainy conditions IS NOT RECOMMENDED.

Install the pre-charger (13) over the air filter element under these circumstances.

Recalibrate ECM

NOTICE

You must recalibrate the ECM when installing this kit. Failure to properly recalibrate the ECM can result in severe engine damage. (00399b)

Download the new ECM calibration using the Digital Technician™ at a Harley-Davidson dealer.

Air Filter Element Maintenance

1. Inspect the air filter element every 8,000 km (5000 mi), or more often under dusty conditions.

NOTE

- The use of cleaning, drying or oiling methods or products other than those shown will damage the filter and void the manufacturer's warranty
 - K&N® Air filter Cleaner is available from a Harley-Davidson dealer, either alone (1 qt/0.95 L sprayer bottle, Part No. 99883-88T) or a 12 fl oz/0.35 L sprayer bottle as part of the Filter Care Service Kit (Part No. 99850-92T).
 - K&N Air Filter Oil is also available from a Harley-Davidson dealer, either alone (12.25 oz/347 gram aerosol can, Part No. 99882-88T) or a 6.5 oz/184 gram aerosol can as part of the Filter Care Service Kit.
 - **DO NOT OVER-OIL THE AIR FILTER.** Over-oiling may interfere with the proper performance of the engine and/or certain engine components. If oil is still draining or dripping from the filter media twenty minutes after oiling, clean and oil the filter element again.
2. To clean the element:
 - a. Remove the center medallion by inserting a small flat blade screwdriver in the slot at the bottom of the medallion. Carefully work around the center portion without scratching the finish of the air cleaner cover. Rotating the medallion will aid in removal.
 - b. Remove the air cleaner cover center screw.
 - c. Tap the element to dislodge any loose dirt, then gently brush with a soft bristle brush.
 - d. Spray air filter cleaner liberally onto the cotton filter media and let soak for ten minutes OR roll and soak the cotton filter media in a shallow pan of air filter cleaner. Remove immediately, and let soak for ten minutes.
 - e. Rinse off the filter media (flowing from the **clean** side to the dirty side), with low-pressure tap water.
 - f. After rinsing, shake off all excess water, and let the filter media air dry. DO NOT use compressed air or a heat gun to speed drying.
 - g. After the filter media is **completely** dry, EITHER spray air filter oil along each pleat, once only, holding the spray nozzle approximately 76 mm (3 in) away from the media, OR carefully use a squeeze bottle to deposit oil along each pleat, once only. **Let the oil absorb into the filter media for twenty minutes before proceeding.** After twenty minutes, inspect the filter media, and carefully apply oil to any remaining visible white spots on the filter media, and allow to absorb.

Service Parts

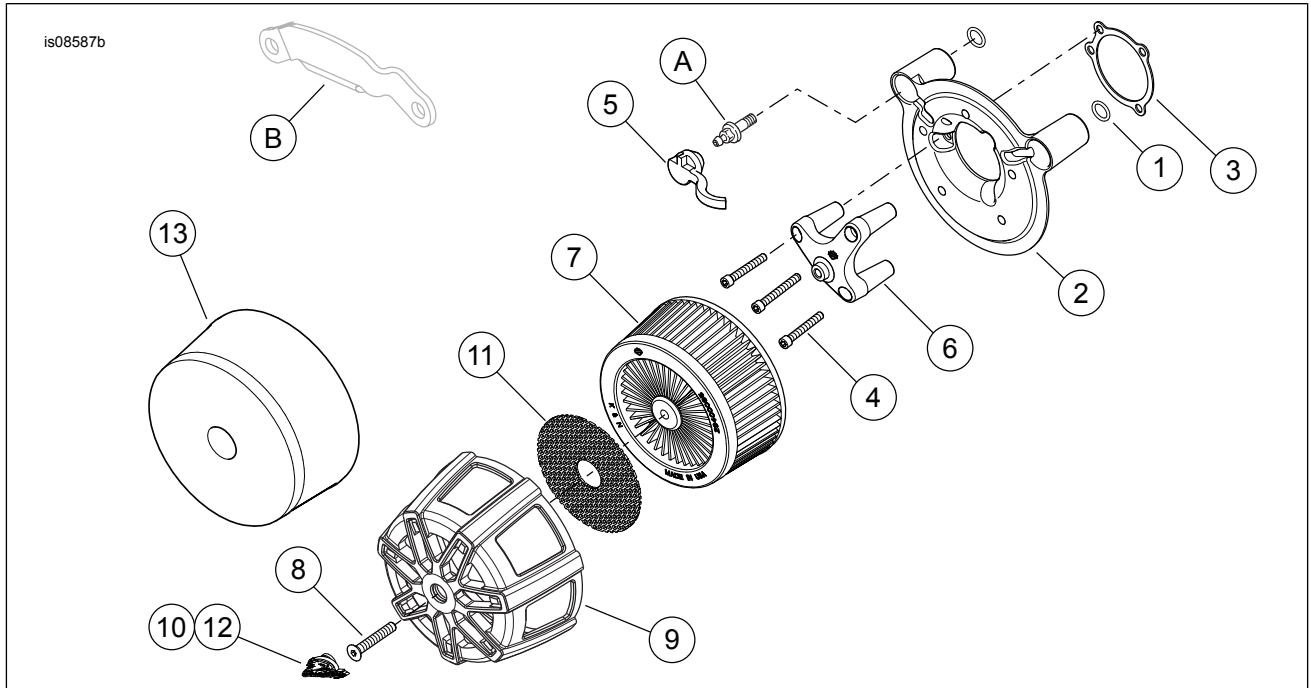


Figure 1. Service Parts, Screamin' Eagle Performance Air Cleaner Kit

Table 1. Service Parts

Item	Description (Quantity)	Part Number
1	O-ring, #2-113 (2)	11292
2	Backplate	Not sold separately
3	Gasket, throttle body	29059-88A
4	Screw, socket head cap, 1/4-20 x 51 mm (2.0 in) long (3)	Not sold separately
5	Plug, breather (2)	29557-05
6	Bracket, mounting	29400119
7	Air filter element	29400118
8	Screw, hex socket, flat head, 5/16-18 x 51 mm (2.0 in) long	Not sold separately
9	Cover, air cleaner	Not sold separately
10	Medallion, Screamin' Eagle	14100367
11	Screen, air filter, chrome (Kit 29400128)	29400082
	Screen, air filter, black (Kit 29400127)	29400100
12	O-ring, medallion	11170
13	Pre-charger	29400121
Items mentioned in text, but not included in kit:		
A	Breather screw (2)	
B	Induction module bracket (remove and discard)	