



INSTRUCTIONS

-J05667

2015-04-21

SCREAMIN' EAGLE PERFORMANCE AIR CLEANER KIT

GENERAL

Kit Numbers

29400116, 29400117

Models

For model fitment information, see the P&A retail catalog or the Parts and Accessories section of www.harley-davidson.com (English only).

Installation Requirements

Proper installation of this kit requires the use of Digital Technician™ at a Harley-Davidson dealer.

Loctite® 243 Medium Strength Threadlocker and Sealant - Blue (Part No. 99642-97) is required for proper installation of this kit.

▲ WARNING

The rider's safety depends upon the correct installation of this kit. Use the appropriate service manual procedures. If the procedure is not within your capabilities or you do not have the correct tools, have a Harley-Davidson dealer perform the installation. Improper installation of this kit could result in death or serious injury. (00333a)

NOTE

This instruction sheet refers to service manual information. A service manual for this year/model motorcycle is required for this installation. One is available from a Harley-Davidson dealer.

Kit Contents

See Figure 1 and Table 1.

NOTE

*The kit is intended for High Performance applications only. Engine-related performance parts are intended **FOR THE EXPERIENCED RIDER ONLY**.*

NOTE

Installation of this kit by an authorized Harley-Davidson dealer does not affect your limited vehicle warranty.

The Product Information Label contained in this kit is a requirement of the California Air Resource Board (CARB) emission regulation for all 2000 and later Softail and 1999 and later Dyna models.

Place the label on the right side of the frame directly beneath the VIN sticker. This label is not required outside the state of California.

The kit is intended for High Performance applications only. This engine-related performance part is legal for sale or use in California on pollution controlled motor vehicles.

REMOVAL

1. Remove main fuse. See the service manual.
2. Remove the existing air cleaner per the service manual. Save the two breather screws from the backplate. Remaining parts can be discarded.
3. See Figure 1. Remove and discard induction module bracket (B).

INSTALLATION

Install Air Cleaner

NOTE

When servicing air cleaner, apply Loctite® 243 (blue) 99642-97 to all fastener threads.

1. See Figure 1. Install two O-rings (1) from kit in grooves around breather screw holes on induction module side of backplate assembly (2).
2. Align flat edge of gasket (3) with the molded tab. Install gasket on induction module side of backplate
3. Insert breather screws (A) through the backplate.
4. Apply Loctite 243 (blue) to breather screw threads and mating tapped holes in cylinder head.
5. Thread screws into cylinder head but do not tighten.
6. Thread air cleaner mounting screws (4) through mounting bracket (6) and into backplate (2) until screw threads are captured in induction module. Leave fasteners loose.
7. Alternately tighten two breather screws (A) to 13.6–16.3 N·m (120–144 in-lbs).
8. Tighten three air cleaner screws (4) to 6.2–6.8 N·m (55–60 in-lbs).
9. Press breather plugs (5) into breather screw cavities, aligning tubes with recesses in backplate.

Install Air Cleaner Filter and Cover

NOTE

Whenever the air cleaner cover is installed, apply Loctite 243 (blue) to the air cleaner cover screw (8).

NOTE

Apply a small amount of dish soap to medallion O-ring to aid in installation of medallion.

-J05667



Many Harley-Davidson® Parts & Accessories are made of plastics and metals which can be recycled. Please dispose of materials responsibly.

1 / 3

1. See Figure 1. Install the air cleaner filter element (7) and cover (9). Before tightening the center screw, align the cover using the medallion for best appearance. Tighten center screw to 4.1–6.8 N·m (36–60 **in-lbs**).
2. Install the medallion into the center hole by pressing in place. Do not damage the O-ring.

Final Assembly

1. Install main fuse. Refer to the service manual.

NOTE

Install the rain sock over the air filter element in wet or rainy conditions to prevent water intrusion.

Install the pre-charger (13) over the air filter element under these circumstances.

Recalibrate ECM

NOTICE

You must recalibrate the ECM when installing this kit. Failure to properly recalibrate the ECM can result in severe engine damage. (00399b)

Download the new ECM calibration using the Digital Technician™ at a Harley-Davidson dealer.

Air Filter Element Maintenance

1. Inspect the air filter element every 5000 miles (8000 km), or more often under dusty conditions.

NOTE

The use of other cleaning, drying or oiling methods or products damages the filter and voids the manufacturer's warranty

K&N® Air filter Cleaner is available from a Harley-Davidson dealer, either alone (1 qt/0.95 L sprayer bottle, Part No. 99883-88T) or a 12 fl oz/0.35 L sprayer bottle as part of the Filter Care Service Kit (Part No. 99850-92T).

K&N Air Filter Oil is also available from a Harley-Davidson dealer, either alone (12.25 oz/347 gram aerosol can, Part No. 99882-88T) or a 6.5 oz/184 gram aerosol can as part of the Filter Care Service Kit.

DO NOT OVER-OIL THE AIR FILTER. Over-oiling interferes with the proper performance of the engine and/or certain engine components. If oil is still draining or dripping from the filter media 20 minutes after oiling, clean and oil the filter element again.

2. To clean the element:
 - a. Remove the center medallion by inserting a small flat blade screwdriver in the slot at the bottom of the medallion. Carefully work around the center portion without scratching the finish of the air cleaner cover. Rotating the medallion aids in its removal.
 - b. Remove the air cleaner cover center screw.
 - c. Tap the element to dislodge any loose dirt. Gently brush with a soft bristle brush.
 - d. EITHER spray air filter cleaner liberally onto the cotton filter media, OR, roll and soak the media in a shallow pan of air filter cleaner, removing immediately. In either case, set the filter media aside to soak for ten minutes.
 - e. Rinse off the filter media (flowing from the **clean** side to the dirty side), with low-pressure tap water.
 - f. After rinsing, shake off excess water. Let the filter media air dry. DO NOT use compressed air or a heat gun to speed drying.
 - g. After the filter media is dry, EITHER spray air filter oil along each pleat, once only, holding the spray nozzle approximately 76 mm (3 in) away from the media, OR carefully use a squeeze bottle to deposit oil along each pleat, once only. **Let the oil absorb into the filter media for 20 minutes before proceeding.** After 20 minutes, inspect the filter media. Carefully apply oil to any remaining visible white spots on the filter media. Allow to absorb.

Service Parts

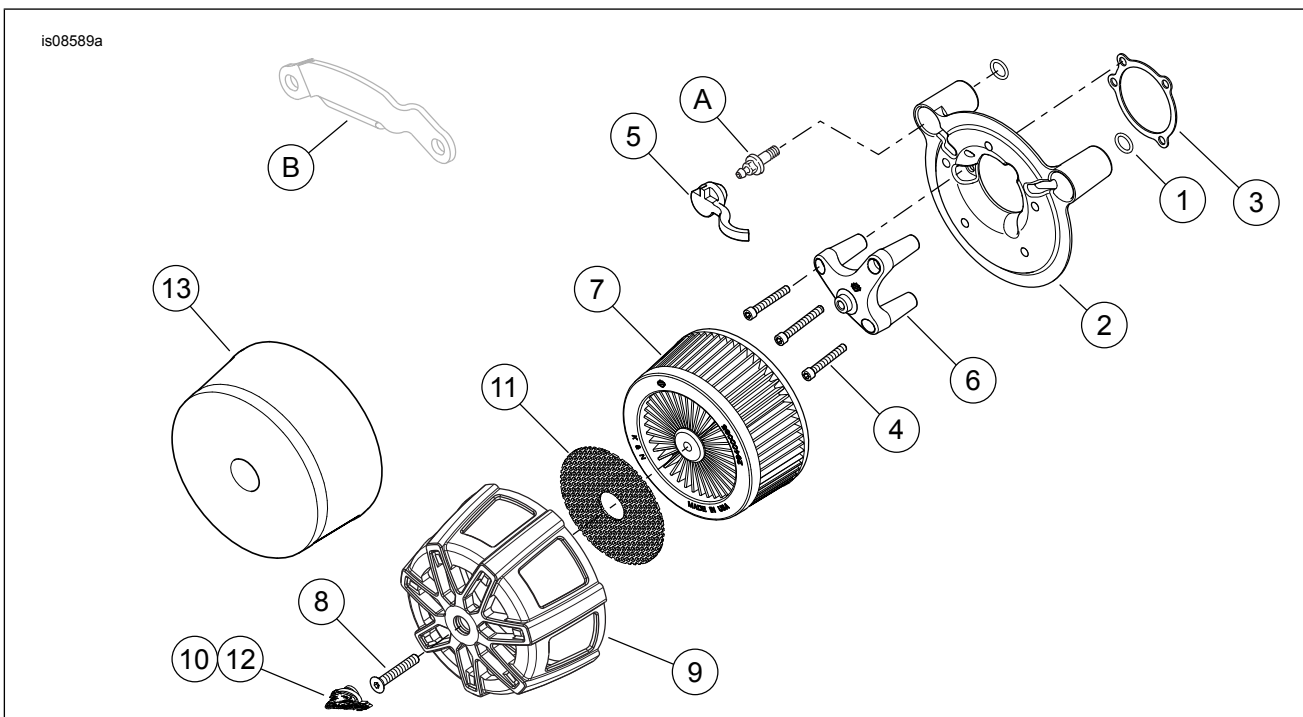


Figure 1. Service Parts, Screamin' Eagle Performance Air Cleaner Kit

Table 1. Service Parts

Item	Description (Quantity)	Part Number
1	O-ring, #2-113 (2)	11292
2	Backplate, chrome (Kit 29400117)	29510-05
	Backplate, black (Kit 29400116)	29400081
3	Gasket, throttle body	29583-01A
4	Screw, socket head cap, 1/4-20 x 51 mm (2.0 in) long (3)	Not sold separately
5	Plug, breather (2)	29557-05
6	Bracket, mounting	29400119
7	Air filter element	29400118
8	Screw, hex socket, flat head, 5/16-18 x 51 mm (2.0 in) long	Not sold separately
9	Cover, air cleaner	Not sold separately
10	Medallion, Screamin' Eagle	14100367
11	Screen, air filter, black (Kit 29400116)	29400082
	Screen, air filter, chrome (Kit 29400117)	29400100
12	O-ring, medallion	11170
13	Pre-charger	29400121
Items mentioned in text, but not included in kit:		
A	Breather screw (2)	
B	Induction module bracket (remove and discard)	