



# INSTRUCTIONS

-J05577

2015-04-23

## SCREAMIN' EAGLE PERFORMANCE AIR CLEANER KIT

### GENERAL

#### Kit Numbers

29400063, 29400064, 29400103, 29400104

#### Models

For model fitment information, See the P&A Retail Catalog or the Parts and Accessories section of [www.harley-davidson.com](http://www.harley-davidson.com) (English only).

#### Additional Parts Required

##### NOTICE

**You must recalibrate the ECM when installing this kit. Failure to properly recalibrate the ECM can result in severe engine damage. (00399b)**

Download the new ECM calibration using the Digital Technician™ at a Harley-Davidson dealer.

This kit requires the use of Loctite® 243 Threadlocker and Sealant - blue (Part Number 99642-97) which is available from a Harley-Davidson dealer.

##### ▲ WARNING

**The rider's safety depends upon the correct installation of this kit. Use the appropriate service manual procedures. If the procedure is not within your capabilities or you do not have the correct tools, have a Harley-Davidson dealer perform the installation. Improper installation of this kit could result in death or serious injury. (00333a)**

##### NOTE

*This instruction sheet references service manual information. A service manual for your model motorcycle is required for this installation and is available from a Harley-Davidson dealer.*

### Kit Contents

See Figure 1 and Table 1.

##### NOTE

*This kit is intended for High Performance applications only. Engine related performance parts are intended for **THE EXPERIENCED RIDER ONLY**.*

*Installation of this kit by an authorized Harley-Davidson dealer will not impact your limited vehicle warranty.*

*The Product Information Label contained in this kit is a requirement of the California Air Resource Board (CARB) emission regulation.*

*Place the label on the right side of the frame directly beneath the VIN sticker. This label is not required outside the state of California.*

*This conversion kit is intended for High Performance applications only. This engine related performance part is legal for sale or use in California on pollution controlled motor vehicles.*

### REMOVAL

1. Remove main fuse. See the service manual.
2. Remove existing air cleaner. See the service manual. Discard parts.
3. Remove fuel tank. See the service manual.
4. See Figure 1 and Table 1. Remove and discard support induction module bracket (A).

### INSTALLATION

#### Install Air Cleaner

##### NOTE

*When servicing the air cleaner, apply Loctite® 243 (blue) 99642-97 to threads of all fasteners.*

1. See Figure 1. Install two O-rings (1) from kit in grooves around breather screw holes on induction module side of backplate assembly (2). Install two O-rings (1) from kit in grooves in underside of head of breather screws (5).
2. Peel the protective strip off the gasket (3) and place the adhesive side onto the backplate. Align to the equally spaced screw holes, and position the gasket carefully before firmly pressing the gasket into place.
3. Insert new breather screws (5) through the backplate.
4. Apply Loctite 243 (blue) to breather screw threads and mating tapped holes in cylinder head.
5. Install screws into cylinder head but do not tighten.
6. Install air cleaner mounting screws (4) through the mounting bracket (6) and into the backplate (2) until the screw threads are captured in induction module. Do not tighten completely at this time.
7. Alternately tighten two breather screws (5) to 13.6–16.3 N·m (120–144 **in-lbs**).
8. Tighten three air cleaner screws (4) to 6.2–6.8 N·m (55–60 **in-lbs**).
9. Install fuel tank.

-J05577



Many Harley-Davidson® Parts & Accessories are made of plastics and metals which can be recycled. Please dispose of materials responsibly.

1 / 3

## Install Air Cleaner Element and Cover

### NOTE

Whenever the air cleaner cover is installed, apply Loctite 243 (blue) to the air cleaner cover screw (8).

### NOTE

Apply a small amount of dish soap to medallion O-ring to aid in installation of medallion.

1. See Figure 1. Install the air cleaner element (7) and cover (9). Before tightening the center screw, align the cover using the medallion for best appearance, then tighten center screw to 4.1–6.8 N·m (36–60 in-lbs).
2. Install the medallion into the center hole by pressing in place. Do not damage the O-ring.

## Recalibrate

### NOTICE

**You must recalibrate the ECM when installing this kit. Failure to properly recalibrate the ECM can result in severe engine damage. (00399b)**

1. Download the new ECM calibration using the Digital Technician™ at a Harley-Davidson dealer.

## Final Assembly

1. Install main fuse. Refer to the service manual.

### NOTE

*Riding a motorcycle equipped with an exposed oiled air filter under rainy conditions IS NOT RECOMMENDED.*

*Install the pre-charger (13) over the air filter element under these circumstances.*

## Air Filter Element Maintenance

1. Inspect the air filter element every 5000 miles (8000 km), or more often under dusty conditions.

### NOTE

*The use of cleaning, drying or oiling methods or products other than those shown will damage the filter and void the manufacturer's warranty*

K&N® Air filter Cleaner is available from a Harley-Davidson dealer, either alone (1 qt/0.95 L sprayer bottle, 99883-88T) or a 12 fl oz/0.35 L sprayer bottle as part of the Filter Care Service Kit (99850-92T).

K&N Air Filter Oil is also available from a Harley-Davidson dealer, either alone (12.25 oz/347 gram aerosol can, 99882-88T) or a 6.5 oz/184 gram aerosol can as part of the Filter Care Service Kit.

**DO NOT OVER-OIL THE AIR FILTER.** Over-oiling may interfere with the proper performance of the engine and/or certain engine components. If oil is still draining or dripping from the filter media twenty minutes after oiling, clean and oil the filter element again.

2. To clean the element:
  - a. Remove the center medallion by inserting a small flat blade screwdriver in the slot at the bottom of the medallion. Carefully work around the center portion without scratching the finish of the air cleaner cover. Rotating the medallion will aid in its removal.
  - b. Remove the air cleaner cover center screw.
  - c. Tap the element to dislodge any loose dirt, then gently brush with a soft bristle brush.
  - d. Spray air filter cleaner liberally onto the cotton filter media and let soak for ten minutes OR roll and soak the cotton filter media in a shallow pan of air filter cleaner. Remove immediately, and let soak for ten minutes.
  - e. Rinse off the filter media (flowing from the **clean** side to the dirty side), with low-pressure tap water.
  - f. After rinsing, shake off all excess water, and let the filter media air dry. DO NOT use compressed air or a heat gun to speed drying.
  - g. After the filter media is **completely** dry, EITHER spray air filter oil along each pleat, once only, holding the spray nozzle approximately 3 inches (76 mm) away from the media, OR carefully use a squeeze bottle to deposit oil along each pleat, once only. **Let the oil absorb into the filter media for twenty minutes before proceeding.** After twenty minutes, inspect the filter media, and carefully apply oil to any remaining visible white spots on the filter media, and allow to absorb.

## Service Parts

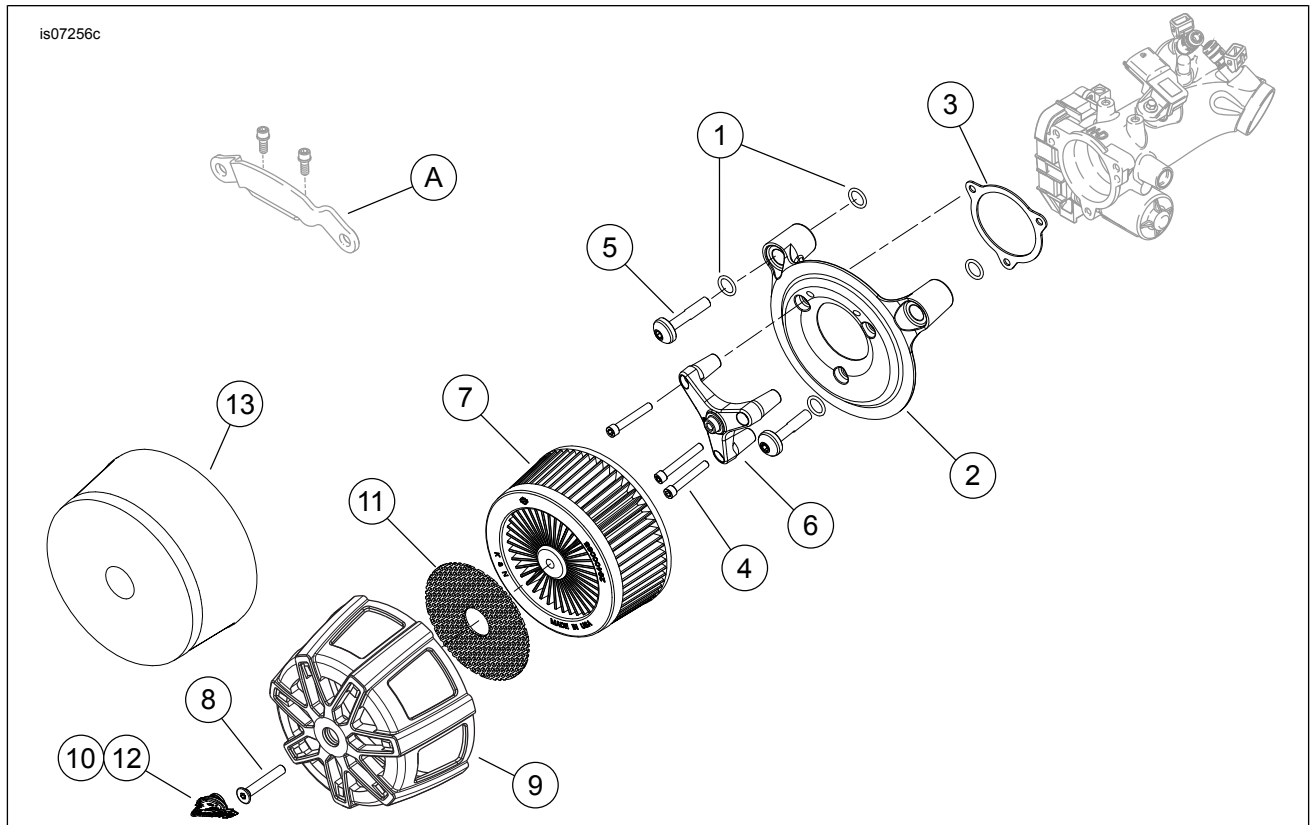


Figure 1. Service Parts: Screamin' Eagle Performance Air Cleaner Kit

Table 1. Service Parts: Screamin' Eagle Performance Air Cleaner Kit

| Item   | Description (Quantity)  | Part Number          |
|--|---|----------------------|
| 1  | O-ring, #2-113 (4)  | 11292                |
| 2  | Backplate, chrome (Kits 29400064 and 29400104)<br>Backplate, black (Kits 29400063 and 29400103)                   | 29624-08<br>29000070 |
| 3  | Gasket, throttle body   | 29241-08             |
| 4  | Screw, socket head cap, 1/4-20 UNC x 1.75 long (3)  | Not Sold Separately  |
| 5  | Bolt, breather (2)  | 29400081             |
| 6  | Bracket, mounting   | 29400072             |
| 7  | Air filter element  | 29400065             |
| 8  | Screw, hex socket, flat head, 5/16-18 UNC x 2.0 long  | Not Sold Separately  |
| 9  | Cover, air cleaner  | Not Sold Separately  |
| 10   | Medallion, Screamin' Eagle  | 14100367             |
| 11   | Screen, air filter, chrome (Kits 29400064 and 29400104)<br>Screen, air filter, black (Kits 29400063 and 29400103) | 29400100<br>29400082 |
| 12   | O-ring, medallion   | 11170                |
| 13   | Pre-charger   | 29400121             |
| <b>Items mentioned in text, but not included in kit:</b> |   |                      |
| A  | Induction Module Bracket (remove and discard)   |                      |